

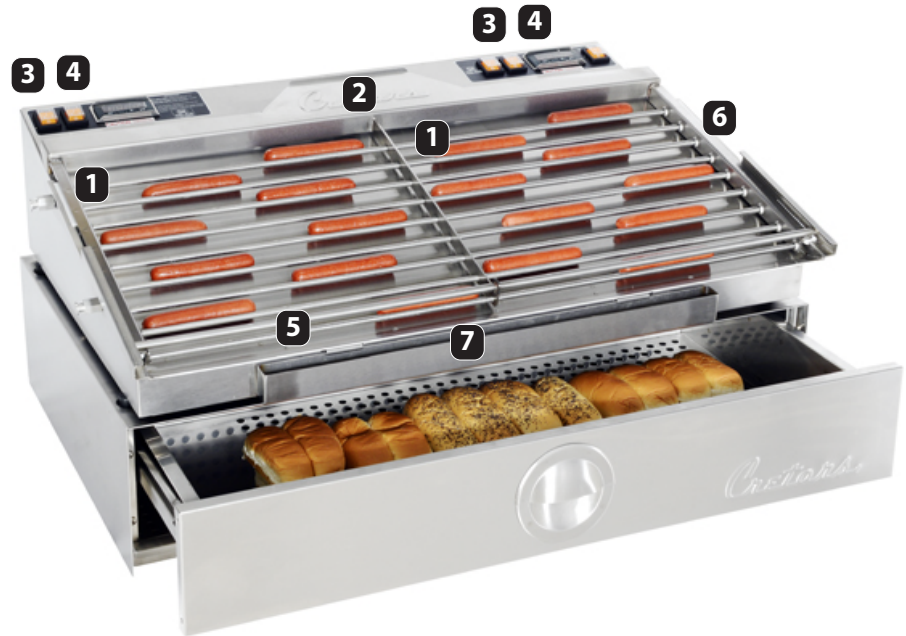


NEW

Hot Dog Grill 36

PATENTED DESIGN

Cretors Hot Dog Grill 36 is the latest in hot dog grill innovation. Designed with dual heat zones, our new Hot Dog Grill will not only cook meat products on one side of the grill, but it will keep cooked meat products warmed on the other side, ready for serving. The **PATENTED** Cretors Hot Dog Grill design includes a center drive shaft which reduces strain on the gears, ensuring longer motor life. Cooking surface is heavy duty 304 stainless steel with an aluminum heating plate underneath. This workhorse will stand up to the rigorous use found in the busiest concession areas. Plugs into 20 Amp outlet.

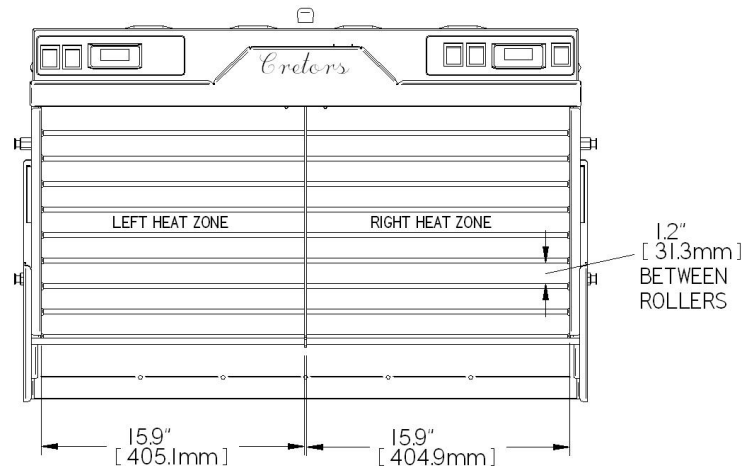


Features

- 1 **TWO** heat zones cook product on one side and warm on the other
- 2 **PATENTED** center drive shaft design
- 3 **TWO** Digital Temperature Controllers with visual display. *An industry exclusive!*
- 4 Heat-and-hold feature avoids overcooking the product.
- 5 Stainless steel heating surface.
- 6 Moving grill angled for complete rotation of product on heat plate.
- 7 Grease trap is easy to remove and clean

Sneeze Guard and Bun Warmer also available

Dimensions With Sneeze Guard: 24.00"D x 35.50"W x 14.50"H
 Dimensions Without Sneeze Guard: 23.00"D x 34.25"W x 9.50"H
 Electrical: 120V; 230V, 1750 Watts
 120V NEMA #5-20P



C. Cretors & Company
 3243 N. California Ave., Chicago, IL 60618
 (773) 588-1690 (800) 228-1885 Fax: (773) 588-7141
 Website: www.Cretors.com