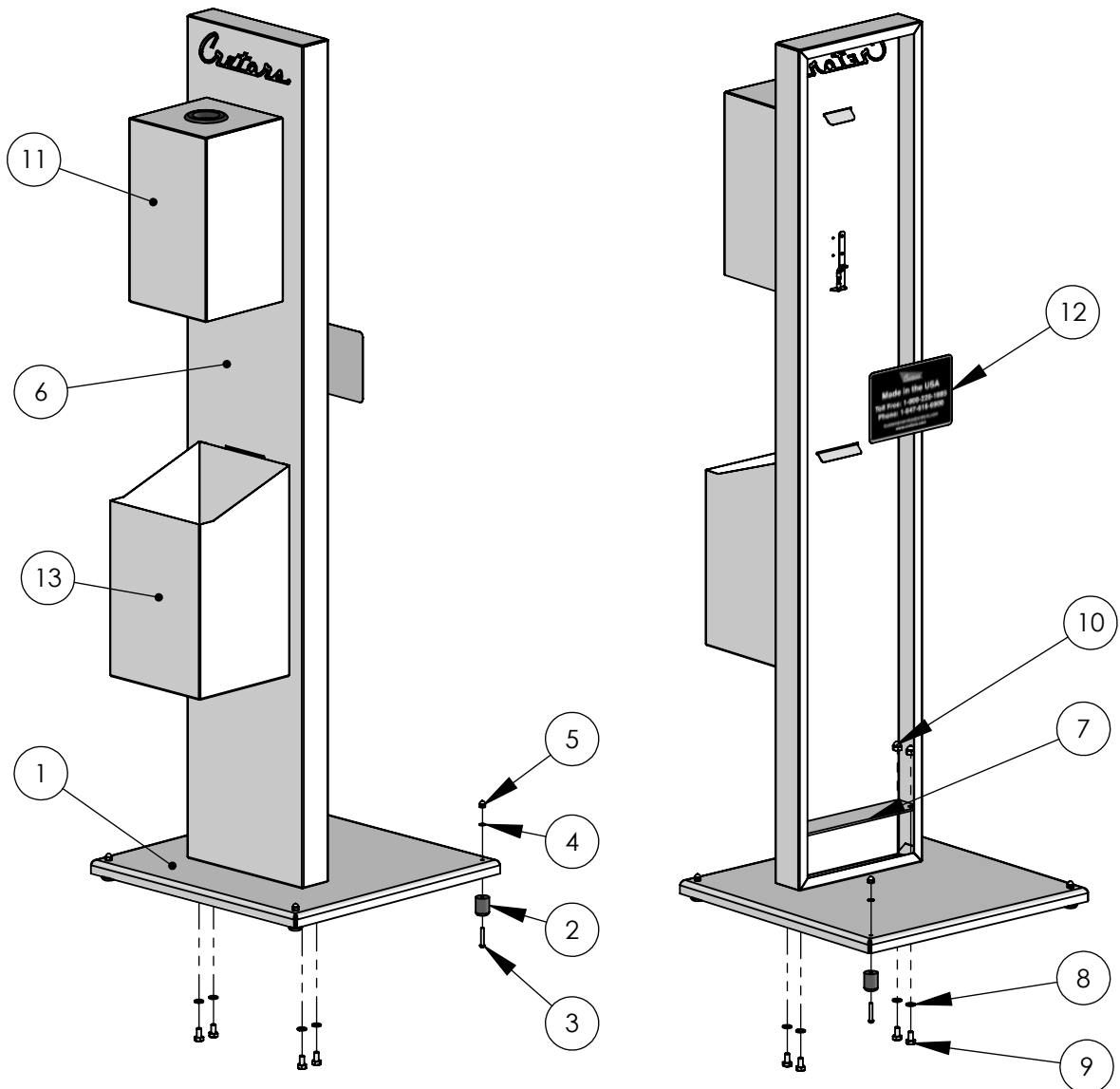



BEGINNING SERIAL NO: XXXXX

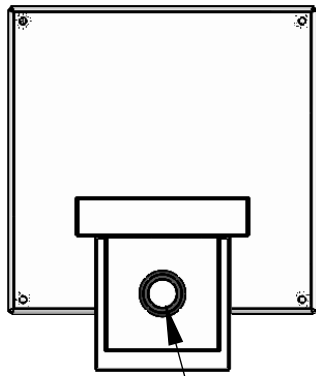
REVISIONS			
REV	DC #	APPROVED BY	APPROVED ON
-	-	-	-
A	-	nvidojevic	05/27/2020
B	20072	nvidojevic	06/15/2020

BILL OF MATERIALS

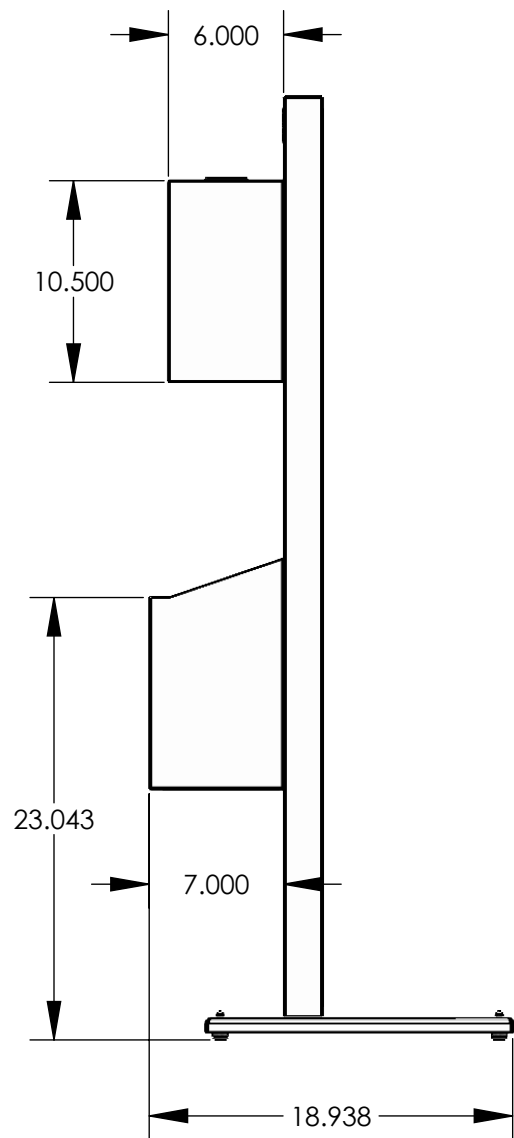
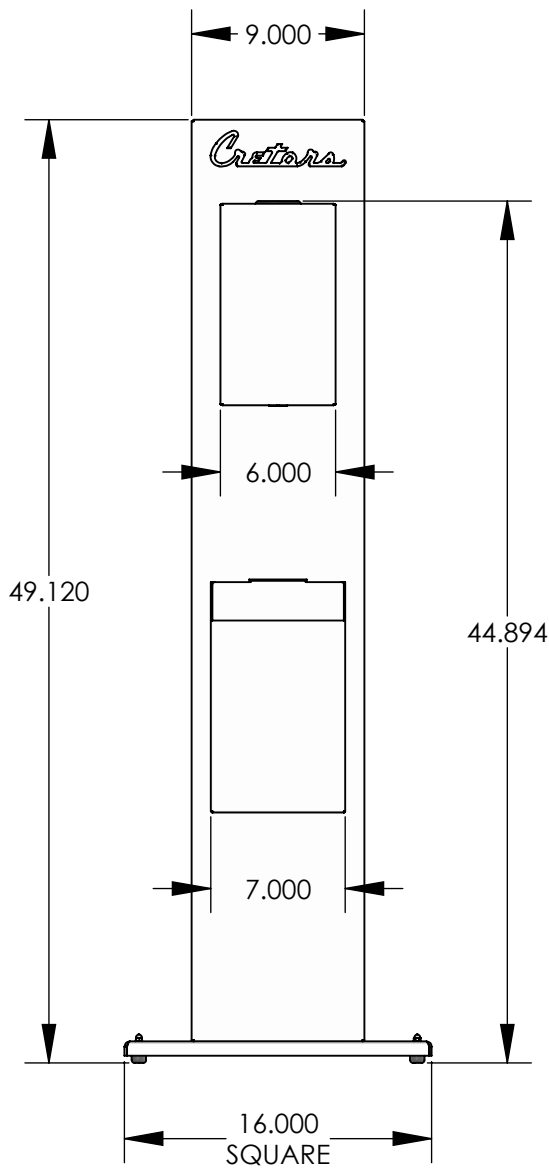
ITEM #	QTY.	P/N	DESCRIPTION
1	1	22622	BASE, SANITIZING FLOOR STAND
2	4	22662	BUMPER FEET, 3/4"DIA X 1" TALL
3	4	7752	#8-32 X 1"LG FULLY THD, SLOT ROUND HEAD MACHINE SCREW, 18-8 S.S.
4	4	7789	#8, INTERNAL TOOTH LOCKWASHER, STEEL NICKEL
5	4	7689	#8-32, ACORN NUT, STEEL NICKEL
6	1	22671	WIPE STAND BODY, FLOOR MODEL
7	1	22624	CLAMP PLATE, SANITIZING FLOOR STAND
8	4	5743	1/4", MEDIUM SPLIT LOCKWASHER, 18-8 S.S.
9	4	10121	1/4-20 X 1/2"LG FULLY THD, HEX HEAD CAP SCREW, 18-8 S.S.
10	4	7639	1/4-20, ACORN NUT, STEEL NICKEL
11	1	22784	WIPE HOLDER ASSEMBLY, WIPE STAND
12	1	22718	DECAL, CRETORS CONTACT INFO
13	1	22698	WASTE BIN, WIPE STAND




 176 MITTEL DRIVE, WOOD DALE, IL 60191 Ph: (847) 616-6900, (800) 228-1885, Fax: (847) 616-6970 www.cretors.com, postmaster@cretors.com		DESCRIPTION	
DRAWN BY		DRAWN DATE	
ndarji		06/11/2020	
APPROVED BY		APPROVED DATE	
nvidojevic		06/15/2020	
MATERIAL		DRAWING NUMBER	
REFER INDIVIDUAL SUB-PARTS		22670	
APPROX. WEIGHT	SHEET	REVISION	
24.8 LBS	1 OF 2	B	



Ø 1.500
 OPENING AFTER
 GROMMET INSTALLATION



 176 MITTEL DRIVE, WOOD DALE, IL 60191 Ph: (847) 616-6900, (800) 228-1885, Fax: (847) 616-6970 www.cretors.com, postmaster@cretors.com		DESCRIPTION	
DRAWN BY ndarji		DRAWN DATE 06/11/2020	
APPROVED BY nvidojevic		APPROVED DATE 06/15/2020	
MATERIAL REFER INDIVIDUAL SUB-PARTS		DRAWING NUMBER 22670	
APPROX. WEIGHT LBS 24.8		SHEET 2 OF 2	
REVISION B			