

**INTEGRATED BUTTER TOPPER •
BAG-IN-BOX BUTTER TOPPER • MINI BUTTER TOPPER •
COUNTER BUTTER TOPPER**

TOPPING AND DISPENSING

The rugged stainless-steel design in our topping and dispensing systems is simple for both concession operators and patrons to use and ideal for movie theaters, concession stands, self-serve applications and restaurants. Choose from a variety of styles including counter toppers, Bag-in-the-Box systems or toppers integrated directly into Cornditioner cabinets.



Countertop Butter Topper

- High or low-profile heads available to suit your topping container needs
- Warms and dispenses topping
- Holds one 2.5 gallon bag
- Drip tray
- Operator or self-serve design available

Optional features:

- Stainless-steel top
- Two-gallon liner
- Portion control switch
- High-speed pump
- Timer
- Custom graphics

Integrated Butter Topper

A combination of a Cretors Counter Showcase Cornditioner and butter topper, this exclusive design is the ultimate in double duty and opens up your concession counter space.

- Heat created by the Cornditioner cabinet helps to keep topping warm and ready for serving
- Pullout drawer is built into the bottom of the cabinet for topping bag installation
- Oil line is heated from the bag connection to the output where the topping is dispensed
- Topping head is available with push button, push bar or both and can be built for customer or operator use
- Available for the 36" and 48" Counter Showcase cabinets
- Double head option available



Countertop Butter Topper

- Shown with stainless-steel top

Contact your Cretors representative for a complete list of agency approvals for each machine. Images may not reflect current equipment modifications, features and accessories.





Bag-in-Box Butter Topper

We have taken the BIB technology and created an efficient stainless-steel BIB topping dispenser system. Mount this unit into an existing concession counter or a self-serve station and let customers serve themselves. Reduce costs and improve concession efficiency with a Cretors original Bag-in-Box Butter Topper.

- Topping is consistently heated throughout the system
- Heated shelf deck warms two 35 lb boxes of topping for immediate switch over from first bag to second
- Cabinet doors with base sold separately
- Durable gear pump design

Mini Butter Topper

The Cretors new stainless-steel Mini Butter Topper with stainless-steel warming tub brings real butter and other toppings to your concession stand. Simply load the warming tub with butter to be gently melted.

- Three serving size settings: small, medium and large
- Holds 4.5 qt melted butter



Contact your Cretors representative for a complete list of agency approvals for each machine. Images may not reflect current equipment modifications, features and accessories.



TOPPERS AND DISPENSERS NORTH AMERICA

MACHINE	ELECTRICAL				MACHINE DIMENSIONS INCHES			SHIP DIMENSIONS INCHES			SHIP WEIGHT
	VOLTAGE	WATTS	AMPS	NEMA	LENGTH	WIDTH	HEIGHT	LENGTH	WIDTH	HEIGHT	lb
36" Integrated Butter Topper	120V/60HZ	1050	8.75	5-15	30.00	36.00	45.00	33.00	41.00	34.00	214
48" Integrated Butter Topper	120V/60HZ	1050	8.75	5-15	30.00	48.00	45.00	33.00	53.00	34.00	225
Bag-in-Box Butter Topper (holds 2-35 lb boxes of oil)	120V/60HZ	275	2.3	5-15	18.00	14.00	16.50	21.00	17.00	25.00	45
Mini Butter Topper	120V/60HZ	380	3.2	5-15	22.00	8.20	18.30	26.00	13.00	23.00	30
Countertop Butter Topper (auto) (accommodates one 2.5 gallon bag)	120V/60HZ	380	3.2	5-15	25.00	11.50	17.75	29.00	17.00	23.00	34

TOPPERS AND DISPENSERS EXPORT – CE MARK AVAILABLE

MACHINE	ELECTRICAL				MACHINE DIMENSIONS CENTIMETERS			SHIP DIMENSIONS CENTIMETERS			SHIP WEIGHT
	VOLTAGE	WATTS	AMPS		LENGTH	WIDTH	HEIGHT	LENGTH	WIDTH	HEIGHT	kg
36" Integrated Butter Topper	230V/50HZ	1050	4.6		76.20	91.44	114.30	83.82	104.14	86.36	96.30
48" Integrated Butter Topper	230V/50HZ	1050	4.6		76.20	121.92	114.30	83.82	134.62	86.36	101.25
Bag-in-Box Butter Topper (holds 2-35 lb Boxes of oil)	230V/50HZ	275	1.2		45.72	35.56	41.91	53.34	43.18	63.50	20.25
Mini Butter Topper	230V/50HZ	380	1.7		55.88	20.83	46.48	66.04	33.02	58.42	13.05
Countertop Butter Topper (auto) (accommodates one 2.5 gallon bag)	230V/50HZ	380	1.7		63.50	29.21	45.09	73.66	43.18	58.42	15.30

* 5 to 1 hot dogs – 5 hot dogs per pound

- Contact Cretors for details

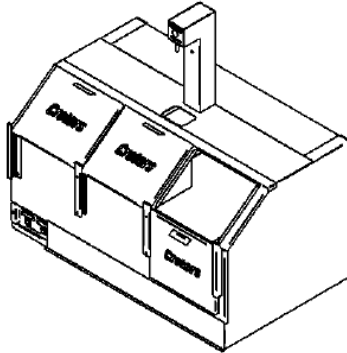
Contact Cretors for machine agency approval listings.

Contact your Cretors representative for a complete list of agency approvals for each machine. Images may not reflect current equipment modifications, features and accessories.





**48in 3-Door Counter Showcase Warmer
Integrated Butter Topper**



Part Number	Voltage	Wattage	NEMA Plug
**CSWT483X-X-X	120v (60Hz); 230v (50Hz)	1050	5-15

Shipping Weight 253 lbs/ Shipping Dimensions: 33" x 53" x 34"
Metric Shipping Weight: 114 Kg/ Shipping Dimensions: 84cm x 135cm x 87cm
**Actual dimensions available in technical drawing below*
***Part number dependent on features selected*

