

# MACH 5

LARGE POPPER – SUSPENDED KETTLE

With more than 12 decades of concession experience, Cretors large concession poppers have evolved to become the top performers in the industry. Form, function and durability are constantly integrated into each new machine design and upgrade. Whether your popping style includes a suspended or a pedestal kettle design, Cretors has the design that best works for you.



## Mach 5 Floor Model (3 ft)

- Shown with LED programmable sign
- Front view



## Mach 5 with Lighted Retro Plastic Top

- Available on 3 ft only



C. CRETORS AND COMPANY 176 Mittel Drive, Wood Dale, IL 60191 | MAIN 847.616.6900 | FAX 847. 616-6970 | [www.cretors.com](http://www.cretors.com)

Contact your Cretors representative for a complete list of agency approvals for each machine. Images may not reflect current equipment modifications, features and accessories.



The Mach 5 popper is a truly versatile machine. Beautifully styled and built to last for generations, this popper draws on the Cretors long tradition of popping technology combined with exciting, innovative features. Cretors exclusive one-piece, automatic lid design, along with the resealable corn bin will ensure maximum corn expansion. The optional programmable LED sign, which can be customized, will promote additional sales. As your business grows, the oversized cabinet allows

you to upgrade to a larger kettle. The large 16" diameter kettle allows for maximum expansion for today's high expansion corn hybrids. Need more volume? Turn your 32 oz kettle into a 48 oz or 60 oz by simply changing the heat elements. The current MACH 5 is the fifth generation of our popular popper, coupling Cretors expertise and all the benefits of modern manufacturing.



**Mach 5 Floor Model (3 ft)**

- Back view
- Tilt-out resealable corn bin



**Mach 5 Kettle**



**Mach 5 Ventless**

- Shown with elevator option



**Mach 5 Floor Model (4 ft)**

- Shown with LED lighted top
- Shown with Bag-in-the-Box Pump

Contact your Cretors representative for a complete list of agency approvals for each machine. Images may not reflect current equipment modifications, features and accessories.



## KEY FEATURES

- Available in 3 and 4 ft cabinets
- Available with 32, 48 and 60 oz kettles
- Welded stainless-steel cabinet
- Welded stainless-steel base with air-tight, tilt-out resealable corn bin keeps corn fresh for maximum corn expansion
- One-piece kettle
- LED lighting system
- Two heat lamps
- Digital temperature controller
- Lift off Vyvak doors for easy cleaning

## STANDARD FEATURES

- Clean-in-place nickel plated all-steel kettle
- One-piece lid ensures maximum popcorn expansion
- Direct-drive agitator motor provides longer motor life
- Cycling pilot light indicator
- Illuminated eye-level rocker switches
- Disposable filter system
- Clean-out drawer
- Exhaust and Cornditioner system
- Internal heat lamp(s) and heated corn deck
- Equipped for direct-oil feed
- Automatic jump-up kettle lid
- LED popcorn sign
- Available as counter or floor model

## OPTIONS

- Backlit red and yellow LED popcorn sign
- Neon sign
- LED programmable sign
- ANSUL fire suppression system
- Pass through side glass (left or right)
- Bin elevator
- Patented Pop It N' Top It system
- Bag filler
- Corn guard chute
- Ventless recirculating hood system
- Pass through dual control system
- Two side raw corn drawer
- Patented One-Pop
- Patented One-Pop with cycle counter
- Salt/sugar switch
- Integrated pump
- Stainless-steel corn bin
- 30 Amp power cord option for 32 oz 30 Amp machine only

### Patented One-Pop control/One-Pop control with cycle counter

- This patented safety feature will bring you peace of mind! It not only saves energy, but it reduces the chances of a grease fire in your home theatre, grocery store, car dealer, hotel or anywhere else you pop. It's the safest machine on the market. With the push of a button the kettle will heat, pop a batch of corn, and turn itself off after one popping cycle, not allowing an unattended kettle of popped corn to catch fire if forgotten.
- Counter option will count the number of popping cycles the popper has performed, ideal when the number of popping cycles needs to be recorded. It's perfect for profit-sharing programs or calculating corn usage.

### Salt/sugar switch

With a single switch, change between the higher temperature of salted corn production and the lower temperature needed for sugar corn, kettle or glazed popcorn production. Amount of oil dispensed is also automatically adjusted.

### Bin Elevator

Increase storage capacity without increasing space requirements with our exclusive bin elevator. With a simple turn of a crank, a portion of the popper case bottom is lowered to warm and hold more popcorn during peak selling times. When extra space is not needed, simply crank the popper case bottom back up to its original position. The bin holds three 32 oz batches, equivalent to 39 (85 oz size) tubs. The cabinet plus the bin holds a total of six 32 oz batches.

### Patented Popit N' Topit

Our exclusive Popit N' Topit butter topper is operated using a hands-free push bar to deliver popcorn topping. Simply fill the bucket with fresh popcorn, press the hands-free push bar to deliver the topping and continue to fill the bucket to desired capacity. Top off the popcorn with another push of the bar, and you are done in one easy step. Reduce transaction time, prevent spills and drips, and maximize counter space.

### Stainless-steel kettle

- Stainless-steel durability is built directly into the kettle and will never rust.
- Stainless steel is superior to other surfaces and is not damaged by carbon remover or kettle cleaner.
- It provides improved heat transfer technology, which evenly heats the bottom of the kettle and creates a more uniform popping surface temperature that heats up quickly to maximize corn expansion.

### Ventless Hood

We have partnered with Giles Foodservice Equipment, the premier manufacturer of the Ventless Recirculating Hood system, to create a popcorn machine that does not require expensive hood exhausting ducting. The three stage filter system includes a baffle grease filter, electrostatic air cleaner, and Polysorb® filter. The Ventless Hood limits the emission of grease-laden air to the room in accordance with NFPA 96.

### Merchandising Signs

- Sign options available for the Diplomat, Mach 5 and President Poppers
- Choose from several sign options to maximize your message in the concession area: neon, red only, red and white and blinking red and white.

Contact your Cretors representative for a complete list of agency approvals for each machine. Images may not reflect current equipment modifications, features and accessories.



C. CRETORS AND COMPANY | 176 Mittel Drive, Wood Dale, IL 60191 | MAIN 847.616.6900 | FAX 847. 616-6970 | www.cretors.com

MACH 5 5.18

# OPTIONS

Patented One-Pop Control



Salt/sugar Switch



Popit N' Topit



Bin Elevator (up)



Bin Elevator (down)



Stainless-steel Kettle



Ventless Hood System



Neon Sign



Backlit LED Sign



Programmable LED Sign

Contact your Cretors representative for a complete list of agency approvals for each machine. Images may not reflect current equipment modifications, features and accessories.



## VENTLESS AND ANSUL SAFETY

We understand how crucial it is to protect people and property from fire. Cretors was the first to pioneer this fire suppression system in the early 1990s with a UL® approved ANSUL® Fire Suppression System that provides frontline fire protection by automatically detecting and suppressing fires.

Insurance companies and fire inspectors recognize ANSUL to be the most effective system used to fight dangerous fires in the restaurant and food service industries. It is the leading brand in commercial kitchen fire suppression. Local fire departments normally do not require fire suppression or exterior exhaust systems for UL listed machines meeting the KNLZ and KNKG standard. Contact Cretors for more information about this important option.

### ANSUL

- Detectors located inside the cabinet quickly detect fire.
- Fire suppressant is discharged from multiple locations inside the cabinet to ensure rapid flame knockdown.
- Power source is automatically shut off.
- UL listed machine meets KNLZ and KNKG standard.
- Available for 3, 4, 5 and 6 ft Twin cabinets
- ANSUL activation not included

### Ventless Hood by Giles® Food Service Equipment

Cretors partnered with Giles Foodservice Equipment, the premier manufacturer of the Ventless Recirculating Hood System, to create a popcorn machine that does not require expensive hood exhausting ducting. Three stage filter system includes a baffle grease filter, electrostatic filter, and Polysorb® filter. The ventless hood limits the emission of grease-laden air to the room in accordance with NFPA 96.

- The Cretors popper with Ventless Hood is available with the ANSUL Fire Suppression System and is the first popper in the industry that has passed the KNKG UL test, making it one of the safest and most reliable machines.
- The innovative hood design incorporates Ventless Recirculating technology that expands your food service capabilities in areas with limited space.
- The Giles Foodservice Equipment Air Filtration System provides one of the most efficient air filtration systems in the industry.
- Using UL's EPA-202 test method, this machine limits the emission of grease-laden air to the room in accordance with NFPA 96.
- The Ventless Recirculating Hood System is designed to fit directly on top of the 3, 4, 5 and 6 ft Diplomat and Mach 5 popping cabinets. No minimum cabinet width is required.
- Available with 32, 48 and 60 oz kettles.
- Both ANSUL and Ventless Hood options can be manufactured separately or together for the Mach 5 and Diplomat machines.



**Mach 5 Ventless**

- Shown with elevator option



# VENTLESS AND ANSUL SAFETY



ANSUL Discharge Nozzles

Diplomat with ANSUL System



ANSUL canister inside base cabinet



Close-up of Ventless Feature



Ventless Filters

- Baffle grease filter
- Electrostatic filter
- Polysorb filter

Contact your Cretors representative for a complete list of agency approvals for each machine. Images may not reflect current equipment modifications, features and accessories.



## OIL PUMPS, HEATERS AND WARMERS

The stainless-steel design of our oil pumps, heaters and warmers make them simple to use. Cretors offers three styles of oil pumps: The Bag-in-Box (BIB) Oil Pump, the Self Contained Automatic Bucket Pump and the Box Pump. Ideal for movie theaters, concession stands, restaurants, gourmet popcorn stores, and self-serve applications.



### The Original Automatic Bag-in-Box (BIB) Oil Pump

Cretors first brought this innovation to concession stands based on a customer request for a pump that was easier to use and keep clean. The robust gear pump will ensure extended-term pump life.

- Heated shelf holds and warms two 35 lb boxes of popping oil
- Electronic timer provides accurate portion control when used in a popcorn machine.
- Heated oil tubes available for coconut oil
- Front or rear oil line (optional)
- Remote control switch
- Cabinet heater blower for use with coconut oil (optional)



### Bag-in-Box (BIB) Short Oil Pump

This single-shelf pump is perfect for situations when the double-shelf BIB Oil Pump is not practical due to space limitations.

- Heated shelf holds and warms one 35 lb box of popping oil



### Box Pump

A self-contained BIB oil pump with independent power cord provides compact oil delivery. This pump automatically delivers the proper amount of oil to the kettle with the push of a button. Magnets allow the pump to be placed anywhere in the machine. For liquid oils only.



### 50 lb Bucket Pumps

- **Self-Contained Bucket Pump** for use with Profiteer and T-3000 Plus models
- **Automatic Bucket Pump** for use with all large poppers that are electrically wired for a pump
- Automatic portion control heats, measures and delivers oil to kettle.
- Rugged cast aluminum heating element
- Electronic 30-minute heat timer
- Use with 50 lb oil pail



### Bag-in-Box (BIB) Backroom Warmer

Melting and maintaining popping oil at the proper temperature takes time. The BIB Backroom Warmer stores and liquefies four standard sized boxes on heated shelf decks, ensuring you have the popping oil you need when you need it.

- Holds and warms four 35 lb boxes of oil
- Heated shelf decks melt and maintain product for immediate use
- Can be used to heat other BIB items, such as cheese or topping
- Two-shelf warmer also available



### Heated Oil Pail Step

The Oil Pail Step makes it easy to slide a 50 lb pail of coconut oil into the base of your Cretors popcorn machine without spillage. Our step features a passive low-wattage heater to liquefy your reserve pail of coconut oil for an easy switch over to a fresh pail when needed.



### Hot Rod

Hot Rod is the fastest, most economical way to melt solidified coconut oil in a pail. Rugged construction allows it to be forced into cold, hard oil. Insert the heating element directly into a pail of coconut oil, plug in and allow the heat to gently melt the oil for popper use.

Contact your Cretors representative for a complete list of agency approvals for each machine. Images may not reflect current equipment modifications, features and accessories.



C. CRETORS AND COMPANY | 176 Mittel Drive, Wood Dale, IL 60191 | MAIN 847.616.6900 | FAX 847. 616-6970 | www.cretors.com

MACH 5 5.18

## POPPING SUPPLIES



### Butterfly Popcorn

- 50 lb bag
- Good for theaters
- PART # 14228



### Mushroom Popcorn

- 50 lb bag
- Good for caramel corn
- PART # 14227



### Portion Pack available in 6 oz, 8 oz, 12 oz

- 6 oz PK 36 PART #9820
- 8 oz PK 24 PART #9827
- 12 oz PK 28 PART #9830



### Gourmet Salt

- Butter flavored
- 2 lb bag, 12 bags per case
- PART #97940

Also available in 50 lb bulk box

- PART #9795



### Maize Glaze

- 50 lb Bulk Box
- PART #18778-BULK



### Eco Bags

- 1½ oz PK 1000 PART #12964
- 2½ oz PK 500 PART #12967
- 4 oz PK 500 PART #12968
- 5 oz PK 500 PART #12969

### Support Our Troops Bag

- 2½ oz PK500
- PART # 12967-USA



### Salted Corn Kit

- Contact your Cretors representative to order the appropriate kit size



### Sugar Corn Kit

- Contact your Cretors representative to order the appropriate kit size



Contact your Cretors representative for a complete list of agency approvals for each machine. Images may not reflect current equipment modifications, features and accessories.



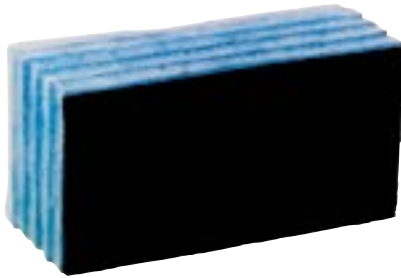


## CLEANING SUPPLIES



### Disposable Filters

- Fits Mach 5 and Diplomat 3 ft
- PART #14132-5



### Disposable Filters

- Fits Diplomats and President 4, 5, and 6 ft cabinets
- PART #14366-5



### Heat N' Spray (red can)

- 19 oz can
- 6 per case
- PART #12732



### Carbon Cleaner (blue can)

- 19 oz can
- 6 per case
- PART #12731



### Inside Kettle Cleaner

- 16 oz
- 12 per case
- PART #2156



### Outside Kettle Cleaner

- 16 oz
- 12 per case
- PART #2157



### Popper Cleaning Kit

- Includes items shown
- 16" Pan kit: PART #10837
- 12" Pan kit: PART #10831

Contact your Cretors representative for a complete list of agency approvals for each machine. Images may not reflect current equipment modifications, features and accessories.



# MACH 5 NORTH AMERICA

MACHINE	ELECTRICAL						MACHINE DIMENSIONS INCHES			SHIP DIMENSIONS INCHES			SHIP WEIGHT
	KETTLE	SERVINGS*	VOLTAGE	WATTS	AMPS	NEMA	LENGTH	WIDTH	HEIGHT	LENGTH	WIDTH	HEIGHT	lb
Mach 5 3' Counter	32 oz	640	120/208V-120/240V/60HZ	6185	-	14-50	28.00	36.00	53.50	33.00	41.00	69.50	323
Mach 5 3' Floor	32 oz	640	120/208V-120/240V/60HZ	6185	-	14-50	28.00	36.00	77.50	43.00	43.00	83.00	445
Mach 5 3' Floor Ventless	32 oz	640	120/208V-120/240V/60HZ	6618	-	14-50	28.00	36.00	83.00	43.00	43.00	89.00	445
Mach 5 3' Floor ANSUL	32 oz	640	120/208V-120/240V/60HZ	6185	-	14-50	28.00	36.00	77.50	43.00	43.00	83.00	445
Mach 5 4' Floor	32 oz	640	120/208V-120/240V/60HZ	6185	-	14-50	28.00	49.00	75.00	37.00	56.00	82.00	500
Mach 5 5' Floor	32 oz	640	120/208V-120/240V/60HZ	6185	-	14-50	32.50	60.00	74.50	37.00	67.00	82.00	590
Mach 5 3' Counter	48 oz	960	120/208V-120/240V/60HZ	7735	-	14-50	28.00	36.00	53.50	33.00	41.00	69.50	326
Mach 5 3' Floor	48 oz	960	120/208V-120/240V/60HZ	7735	-	14-50	28.00	36.00	77.50	43.00	43.00	83.00	445
Mach 5 3' Floor Ventless	48 oz	960	120/208V-120/240V/60HZ	8168	-	14-50	28.00	36.00	83.00	43.00	43.00	89.00	445
Mach 5 3' Floor ANSUL	48 oz	960	120/208V-120/240V/60HZ	7735	-	14-50	28.00	36.00	77.50	43.00	43.00	83.00	445
Mach 5 4' Floor	48 oz	960	120/208V-120/240V/60HZ	7735	-	14-50	28.00	49.00	75.00	37.00	56.00	82.00	505
Mach 5 5' Floor	48 oz	960	120/208V-120/240V/60HZ	7735	-	14-50	32.50	60.00	74.50	37.00	67.00	82.00	598
Mach 5 3' Counter	60 oz	1200	120/208V-120/240V/60HZ	7735	-	14-50	28.00	36.00	53.50	33.00	41.00	69.50	326
Mach 5 3' Floor	60 oz	1200	120/208V-120/240V/60HZ	7735	-	14-50	28.00	36.00	77.50	43.00	43.00	83.00	445
Mach 5 3' Floor Ventless	60 oz	1200	120/208V-120/240V/60HZ	8168	-	14-50	28.00	36.00	83.00	43.00	43.00	89.00	445
Mach 5 3' Floor ANSUL	60 oz	1200	120/208V-120/240V/60HZ	7735	-	14-50	28.00	36.00	77.50	43.00	43.00	83.00	445
Mach 5 4' Floor	60 oz	1200	120/208V-120/240V/60HZ	7735	-	14-50	28.00	49.00	75.00	37.00	56.00	82.00	508
Mach 5 5' Floor	60 oz	1200	120/208V-120/240V/60HZ	7735	-	14-50	32.50	60.00	74.50	37.00	67.00	82.00	598

\* 1 oz servings per hour

• Contact Cretors for details

All Twin Poppers will have two power cords unless requesting 3-phase.

Call for 3-phase supply on Twin Poppers.

Wattages are split between two power cords on twin units.

All total machine watts include the pump watts.

Add 750 watts for 32 oz stainless steel kettles.

Add 433 watts for Ventless Hood options.

Contact Cretors for machine agency approval listings.

Contact your Cretors representative for a complete list of agency approvals for each machine. Images may not reflect current equipment modifications, features and accessories.



**C. CRETORS AND COMPANY** 176 Mittel Drive, Wood Dale, IL 60191 | MAIN 847.616.6900 | FAX 847.616-6970 | [www.cretors.com](http://www.cretors.com)

# OIL PUMPS, HEATERS AND WARMERS NORTH AMERICA

MACHINE	ELECTRICAL				MACHINE DIMENSIONS INCHES			SHIP DIMENSIONS INCHES			SHIP WEIGHT
	VOLTAGE	WATTS	AMPS	NEMA	LENGTH	WIDTH	HEIGHT	LENGTH	WIDTH	HEIGHT	lb
7700 Automatic Bucket Pump, remote control	120V/60HZ	700	5.8	-	22.00	13.00	13.00	25.00	15.00	15.00	20
7700 Automatic Bucket Pump, self contained (use with Profiteer)	120V/60HZ	700	5.8	5-15	22.00	13.00	13.00	25.00	15.00	15.00	20
7700 Automatic Bucket Salt/Sugar Pump	120V/60HZ	700	5.8	-	22.00	13.00	13.00	25.00	15.00	15.00	20
Hot Rod	120V/60HZ	400	3.3	5-15	2.50	23.50	2.25	4.00	24.00	2.50	4
Bag-in-Box Pump with side oil line	120V/60HZ	250	2.1	-	18.00	13.75	16.50	22.00	17.25	20.00	37
Bag-in-Box Pump Heated with side oil line	120V/60HZ	250	2.1	-	18.00	13.75	16.50	22.00	17.25	20.00	35
Bag-in-Box Pump Heated with front/rear discharge	120V/60HZ	250	2.1	-	18.00	13.75	16.50	22.00	17.25	19.00	35
Bag-in-Box Salt/Sugar Pump with Side oil line	120V/60HZ	250	2.1	-	18.00	13.75	16.50	22.00	17.25	19.00	35
Bag-in-Box Backroom Warmer Heated 4 shelf unit	120V/60HZ	180	1.5	5-15	17.00	16.00	49.50	20.00	20.00	51.00	74

Contact Cretors for machine agency approval listings.



# MACH 5 EXPORT – CE MARK AVAILABLE

MACHINE	ELECTRICAL					MACHINE DIMENSIONS CENTIMETERS			SHIP DIMENSIONS CENTIMETERS			SHIP WEIGHT
	KETTLE	SERVINGS*	VOLTAGE	WATTS	AMPS	LENGTH	WIDTH	HEIGHT	LENGTH	WIDTH	HEIGHT	kg
Mach 5 3' Counter	32 oz	640	230/380V/50HZ	6185	-	71.12	91.44	135.89	83.82	104.14	176.53	145.35
Mach 5 3' Floor	32 oz	640	230/380V/50HZ	6185	-	71.12	91.44	196.85	109.22	109.22	210.82	200.25
Mach 5 3' Floor Ventless	32 oz	640	230/380V/50HZ	6618	-	71.12	91.44	210.82	109.22	109.22	226.06	200.25
Mach 5 3' Floor ANSUL	32 oz	640	230/380V/50HZ	6185	-	71.12	91.44	196.85	109.22	109.22	210.82	200.25
Mach 5 4' Floor	32 oz	640	230/380V/50HZ	6185	-	71.12	124.46	190.50	93.98	142.24	208.28	225.00
Mach 5 5' Floor	32 oz	640	230/380V/50HZ	6185	-	82.55	152.40	189.23	93.98	170.18	208.28	265.50
Mach 5 3' Counter	48 oz	960	230/380V/50HZ	7735	-	71.12	91.44	135.89	83.82	104.14	176.53	146.70
Mach 5 3' Floor	48 oz	960	230/380V/50HZ	7735	-	71.12	91.44	196.85	109.22	109.22	210.82	200.25
Mach 5 3' Floor Ventless	48 oz	960	230/380V/50HZ	8168	-	71.12	91.44	210.82	109.22	109.22	226.06	200.25
Mach 5 3' Floor ANSUL	48 oz	960	230/380V/50HZ	7735	-	71.12	91.44	196.85	109.22	109.22	210.82	200.25
Mach 5 4' Floor	48 oz	960	230/380V/50HZ	7735	-	71.12	124.46	190.50	93.98	142.24	208.28	227.25
Mach 5 5' Floor	48 oz	960	230/380V/50HZ	7735	-	82.55	152.40	189.23	93.98	170.18	208.28	269.10
Mach 5 3' Counter	60 oz	1200	230/380V/50HZ	7735	-	71.12	91.44	135.89	83.82	104.14	176.53	146.70
Mach 5 3' Floor	60 oz	1200	230/380V/50HZ	7735	-	71.12	91.44	196.85	109.22	109.22	210.82	200.25
Mach 5 3' Floor Ventless	60 oz	1200	230/380V/50HZ	8168	-	71.12	91.44	210.82	109.22	109.22	226.06	200.25
Mach 5 3' Floor ANSUL	60 oz	1200	230/380V/50HZ	7735	-	71.12	91.44	196.85	109.22	109.22	210.82	200.25
Mach 5 4' Floor	60 oz	1200	230/380V/50HZ	7735	-	71.12	124.46	190.50	93.98	142.24	208.28	228.60
Mach 5 5' Floor	60 oz	1200	230/380V/50HZ	7735	-	82.55	152.40	189.23	93.98	170.18	208.28	269.10

\* 1 oz servings per hour

• Contact Cretors for details

All Twin Poppers will have two power cords unless requesting 3-phase.

Call for 3-phase supply on Twin Poppers

Wattages are split between two power cords on twin units.

All total machine watts include the pump watts.

Add 750 watts for 32 oz stainless steel kettles.

Add 433 watts for Ventless Hood options.

Contact Cretors for machine agency approval listings.

Contact your Cretors representative for a complete list of agency approvals for each machine.  
Images may not reflect current equipment modifications, features and accessories.



C. CRETORS AND COMPANY 176 Mittel Drive, Wood Dale, IL 60191 | MAIN 847.616.6900 | FAX 847.616-6970 | www.cretors.com

MACH 5 5.18

# OIL PUMPS, HEATERS AND WARMERS EXPORT – CE MARK AVAILABLE

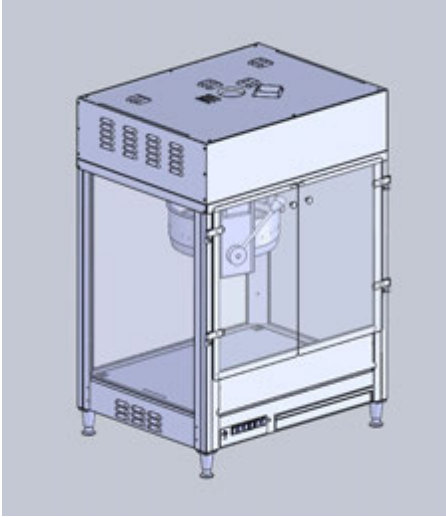
MACHINE	ELECTRICAL			MACHINE DIMENSIONS CENTIMETERS			SHIP DIMENSIONS CENTIMETERS			SHIP WEIGHT
	VOLTAGE	WATTS	AMPS	LENGTH	WIDTH	HEIGHT	LENGTH	WIDTH	HEIGHT	kg
7700 Automatic Bucket Pump, remote control	230V/50HZ	700	3	55.88	33.02	33.02	63.50	38.10	38.10	9.00
7700 Automatic Bucket Pump, self contained (use with Profiteer)	230V/50HZ	700	3	55.88	33.02	33.02	63.50	38.10	38.10	9.00
7700 Automatic Bucket Salt/Sugar Pump	230V/50HZ	700	3	55.88	33.02	33.02	63.50	38.10	38.10	9.00
Hot Rod	230V/50HZ	400	1.7	6.35	59.69	5.72	10.16	60.96	6.35	1.80
Bag-in-Box Pump with side oil line	230V/50HZ	250	1.1	45.72	34.93	41.91	55.88	43.82	50.80	16.65
Bag-in-Box Pump Heated with side oil line	230V/50HZ	250	1.1	45.72	34.93	41.91	55.88	43.82	50.80	15.75
Bag-in-Box Pump Heated with front/rear discharge	230V/50HZ	250	1.1	45.72	34.93	41.91	55.88	43.82	48.26	15.75
Bag-in-Box Salt/Sugar Pump with Side oil line	230V/50HZ	250	1.1	45.72	34.93	41.91	55.88	43.82	48.26	15.75
Bag-in-Box Backroom Warmer Heated 4 shelf unit	230V/50HZ	180	8	43.18	40.64	125.73	50.80	50.80	129.54	33.30

Contact Cretors for machine agency approval listings.





# MACH<sup>5</sup> - 3ft Counter Model



Part Number	Voltage	Wattage	Capacity
M532	120/208v; 120/240v; 230v; 400v	6185	32oz (907g)
M548	120/208v; 120/240v; 230v; 400v	7735	48oz (1360g)
M560	120/208v; 120/240v; 230v; 400v	7735	60oz (1700g)

NEMA Plug (Domestic): 14-50 (Cobra Head)

