

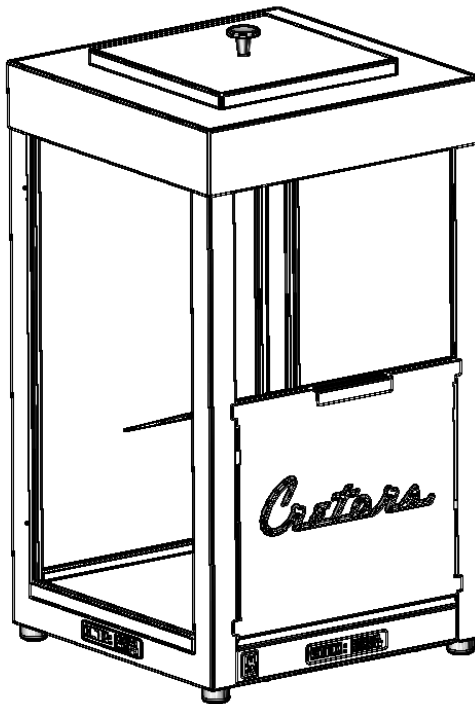


We invented the popcorn machine
THEN JUST KEPT GOING!

176 MITTEL DRIVE, WOOD DALE, IL 60191

Mini Display Warmer Model MD

Operation-Service Manual



READ and UNDERSTAND these servicing, and safety instructions before servicing this popcorn machine

TABLE OF CONTENTS

I. Safety Alert Symbol.....3

II. Safety First..... 3

III. Introduction.....4

IV. Product Specifications.....4

V. Installation Instructions.....5

VI. Operating Instructions.....6

VII. Sanitation Instructions.....6

VIII. Parts List.....7

IX. Service Instructions.....8

I. SAFETY ALERT SYMBOL

The symbol shown below is used to call your attention to instructions concerning your personal safety and the safety of others. Watch for this symbol. It points out important safety precautions. It means **ATTENTION! Become Alert! Your personal safety is involved!** Read the message that follows and be alert to the risk of personal injury or death.



II. SAFETY FIRST

This manual is filled with time-saving and money-saving information regarding your Cretors snack warmer machine. There is nothing more important than the safety aids and warnings that are throughout this document. The Safety Alert Symbol is used to identify topics of primary safety concern wherever they appear.

If, after reviewing this manual, anything is unclear or technical problems are encountered, contact the distributor from whom you purchased your machine for assistance. If there are any additional questions, feel free to contact our Customer Service Department at the address and/or phone number listed on back cover of this manual. Always have the model and serial number of your machine available to assist in obtaining the correct information.



The information in this manual is essential for the safe installation and maintenance of your Cretors snack warmer machine. The manual must be read and understood before installing and operating the equipment, or equivalent training must be provided.



"The employer shall instruct each employee in the recognition and avoidance of unsafe conditions, as well as, regulations applicable to his work environment, to control or eliminate any hazards, or other exposure to illness or injury". Ref.: 29 CFR 1926.20 (b)(4)(a)(2)



It is understood that safety rules within individual companies vary. If a conflict exists between the safety procedures contained in this manual and the rules of a using company, the more stringent rule should take precedence.



IMPORTANT: THIS SNACK WARMER IS NOT FOR THE STORAGE OR DISPLAY OF POTENTIALLY HAZARDOUS FOODS!!!

III. INTRODUCTION

The MINI DISPLAY Warmer is designed to warm and display snack products. The warmer is also provided an integrated 55° C thermostat to allow for a steady control temperature of stored products.

The MINI Display warmer features:

- Top-Load Design
- Interior LED Lighting
- An integral baffle to assure product rotation.
- Removable Drop Shelf for product access.

IV. PRODUCT SPECIFICATIONS

CRETORS SNACK WARMER MACHINE:

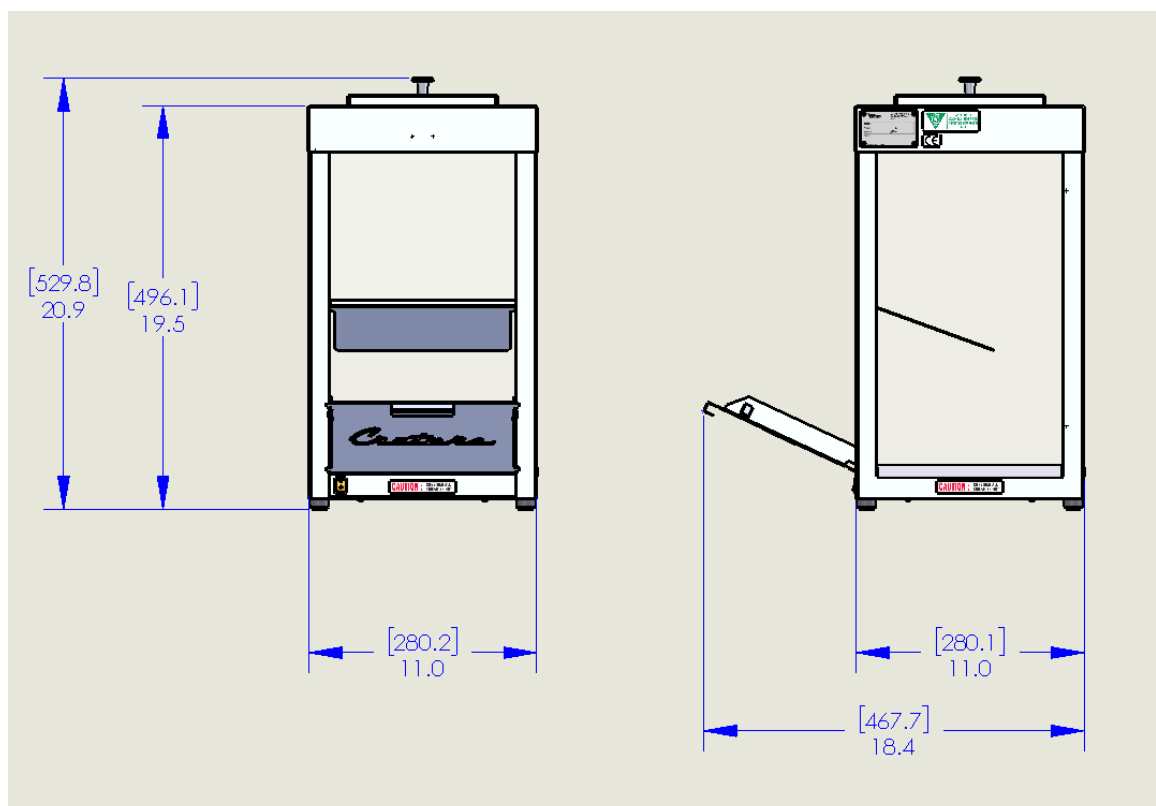
- MODEL: MDAXX-X (120 V)
- MODEL: MDE-XX-X (230 V)

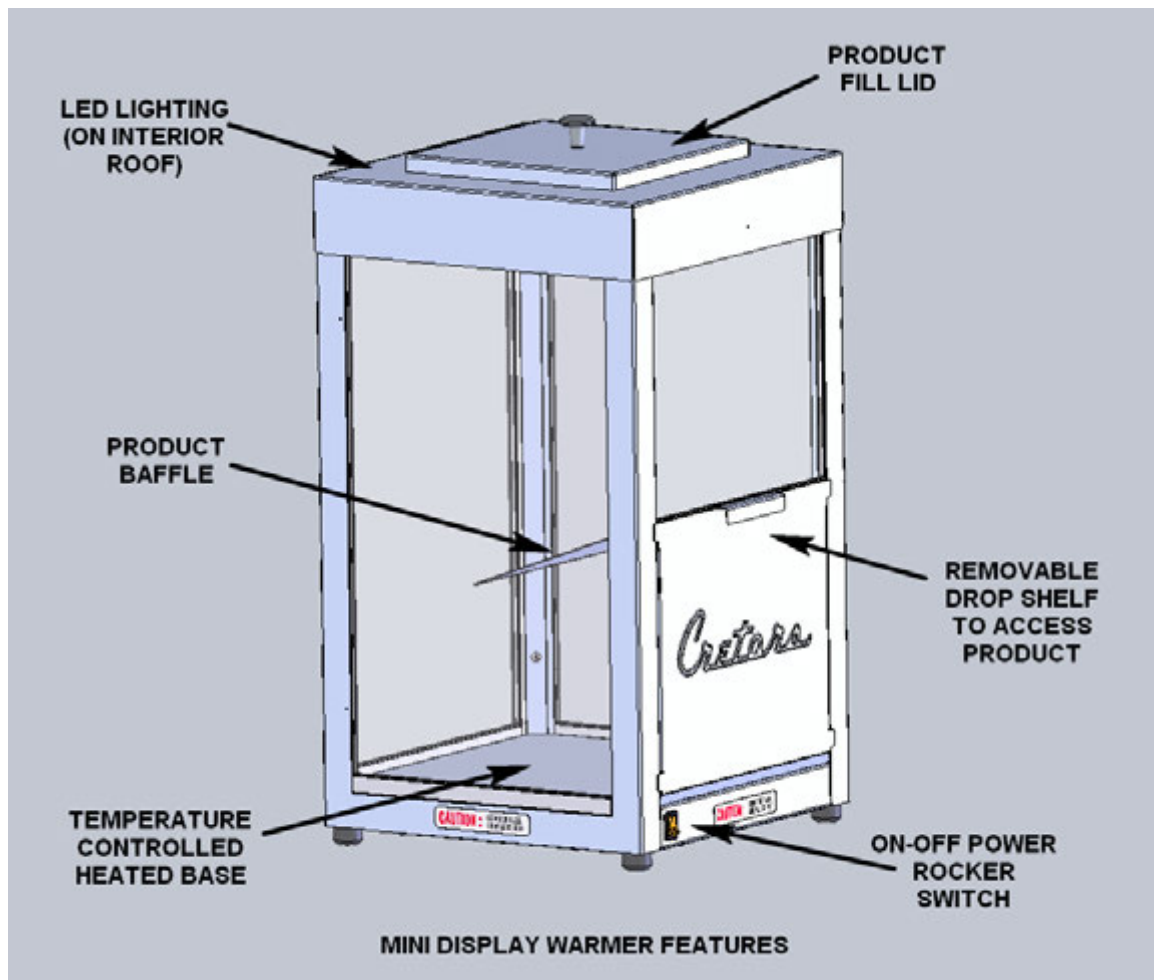
ELECTRICAL SPECIFICATIONS:

- 120 Volt, Single Phase, 60 Cycle 110 Watts
- 230 Volt, Single Phase, 50 Cycle 110 Watts

MECHANICAL SPECIFICATIONS:

- Net Weight: 8 kgs





V. INSTALLATION INSTRUCTIONS

1. Location

Choose a location for your Cretors machine to maximize the ease of operation and maintenance procedures. Check your local building and fire codes for location restrictions.

2. Power Supply

Check the nameplate to determine the required power supply.



Connect your warmer only to the correct power source. Failure to do so may result in personal injury or death and may damage your warmer.



Make certain the Rocker Switch on the warmer is in the 'OFF' position when plugging into power source.

3. After Connecting Warmer to Power Supply

The unit's operation can be controlled by the backlit rocker switch located above the pass thru door on the rear of the cabinet.

VI OPERATING INSTRUCTIONS



Do not attempt to operate your Cretors warmer until you have read and understood this manual. Failure to do so may result in serious injury or death.



Do not attempt to operate your Cretors warmer unless the installation instructions have been strictly adhered to. Failure to do so may result in serious injury or death.



Operate your warmer only if it is in sanitary condition (SANITATION INSTRUCTIONS). Failure to do so may result in illness to your customers.

1. Turn Rocker Switch "ON" to light cabinet and turn on heating system.
2. The heating system will automatically control the bottom surface to maintain approximately 55°C to keep the stored snack products warm.

VII. SANITATION INSTRUCTIONS



Be certain the machine is turned 'OFF' and power is unplugged before sanitizing this machine. Failure to do so could result in injury or death.



Do not clean heated surfaces until they have been given sufficient time to cool. Failure to do so may result in serious burns.

1. Open the access drop door and top fill door. The drop down door can be easily removed to aid in cleaning. Clean out crumbs and debris daily. Heavy or continuous operation of the machine will require more frequent cleaning.
2. The cabinet should be cleaned with any good grade glass or household cleaner suitable for stainless steel surfaces. A cleaning agent that is acceptable for food contact surfaces is recommended. Do this as required.
3. The glass can be cleaned with any good grade glass cleaner suitable for glass surfaces.

VIII. PARTS LISTING

120 V - 60HZ COMPLETE PARTS LISTING (USE WHEN ORDERING)			
ITEM #	QTY.	P/N	DESCRIPTION
1	1	21150	FRAME WELDMENT, BULK WARMER, SMALL
2	4	1605-1	FOOT, RUBBER, 7/8"DIA X 0.531"HIGH
3	4	7790	#10, INTERNAL TOOTH LOCKWASHER, STEEL NICKEL
4	4	16747	#10-24 X 1/2"LG, SLOT ROUND HEAD MACHINE SCREW, STEEL
5	6	7683	#10, SAE FLAT WASHER, 18-8 S.S.
6	4	7796	#10-24, ACORN NUT, STEEL NICKEL
7	3	21156	GLASS, FRONT & SIDE, BULK WARMER
8	8	21158	CHANNEL, GLASS, 9.5"LG
9	6	21159	CHANNEL, GLASS, 15.25"LG
10	3	21161	EXTRUSION CHANNEL, GLASS, 8.9375"LG
11	1	21157	GLASS, OPERATOR SIDE, BULK WARMER
12	2	21162	CHANNEL, GLASS, 7.25"LG
13	8	14979	#8-32, U-NUT
14	1	21164	INSIDE CORNER, BULK WARMER, OPER SIDE,LH
15	8	7642	#8-32 X 3/8"LG FULLY THD, PHIL TRUSS HEAD MACHINE SCREW, 18-8 S.S.
16	2	21163	INSIDE CORNER, MINI DISPLAY WARMER
17	1	21165	INSIDE CORNER, BULK WARMER, OPER SIDE,RH
18	1	21166	LAMP SOCKET HOLDER, BULK WARMER
19	1	2409	SOCKET, SNAP-IN, PORCELAIN
20	1	21167-A	LAMP, SCREW-IN, 40W, 130V, TEFLON COATED
21	2	7789	#8, INTERNAL TOOTH LOCKWASHER, STEEL NICKEL
22	2	7689	#8-32, ACORN NUT, STEEL NICKEL
23	1	4922	SWITCH, SMALL ROCKER, LIGHTED, 120V/230V
24	1	3919	BUSHING, HEYCO #1397, 0.66"X0.75"X90°
25	1	1788	CORD, 10AMP, 16-3, NEMA 5-15P
26	1	4978-A	HEAT PAD, BAG IN BOX, 120 V, 55°C, 100W
27	1	21168	COVER, BOTTOM, MINI DISPLAY WARMER
28	8	10536	#6 X 3/8"LG, PHIL TRUSS HEAD TYPE "A" SMS, STEEL ZINC
29	1	1517	NAMEPLATE, SERIAL NO, BLANK
30	1	2446	DECAL, CAUTION 120V/60HZ
31	4	6018	DECAL, CAUTION CONSIDER ALL SURFACES HOT
32	1	19100	DECAL, HIGH VOLTAGE WARNING
33	1	12863	DECAL, EPH/UL SANITATION MARK
34	1	3920	DECAL, GROUND, YELLOW/BLACK
35	1	21151	DROP SHELF, MINI DISPLAY WARMER
36	1	21153	LID ASSEMBLY, MINI DISPLAY WARMER

230 V-50HZ COMPLETE PARTS LISTING (USE WHEN ORDERING)			
ITEM #	QTY.	P/N	DESCRIPTION
1	1	21375	FRAME WELDMENT, MINI DISPLAY WARMER
2	4	1605-1	FOOT, RUBBER, 7/8"DIA X 0.531"HIGH
3	4	7790	#10, INTERNAL TOOTH LOCKWASHER, STEEL NICKEL
4	4	16747	#10-24 X 1/2"LG, SLOT ROUND HEAD MACHINE SCREW, STEEL
5	4	7683	#10, SAE FLAT WASHER, 18-8 S.S.
6	4	7796	#10-24, ACORN NUT, STEEL NICKEL
7	3	21156	GLASS, FRONT & SIDE, BULK WARMER
8	6	21159	CHANNEL, GLASS, 15.25"LG
9	8	21158	CHANNEL, GLASS, 9.5"LG
10	3	21161	EXTRUSION CHANNEL, GLASS, 8.9375"LG
11	1	21157	GLASS, OPERATOR SIDE, BULK WARMER
12	2	21162	CHANNEL, GLASS, 7.25"LG
13	1	21377	BAFFLE, MINI DISPLAY WARMER
14	2	7625	#10-32, ACORN NUT HIGH CROWN, STEEL NICKEL
15	2	7880	#10-32 X 3/8"LG, SLOT TRUSS HEAD MACHINE SCREW, 18-8 S.S.
16	1	21378	LED STRIP, 10"LG, W/LEADS & POWER SUPPLY
17	2	21163	INSIDE CORNER, MINI DISPLAY WARMER
18	4	5829	#6 X 1/2"LG, PHIL ROUND HEAD TYPE "AB" SMS, STEEL NICKEL
19	3	2123	BUSHING, HEYCO #2030, 1/4"
20	1	4922	SWITCH, SMALL ROCKER, LIGHTED, 120V/230V
21	1	4978-E	HEAT PAD, BAG IN BOX, 230V, 55°C, 100W
22	1	2852	CORD, 10AMP, 3X1.0MM, EUROPEAN
23	1	3919	BUSHING, HEYCO #1397, 0.66"X0.75"X90°
24	1	21168	COVER, BOTTOM, BULK WARMER
25	8	10536	#6 X 3/8"LG, PHIL TRUSS HEAD TYPE "A" SMS, STEEL ZINC
26	1	1517	NAMEPLATE, SERIAL NO, BLANK
27	1	3920	DECAL, GROUND, YELLOW/BLACK
28	1	12863	DECAL, EPH/UL SANITATION MARK
29	1	19100	DECAL, HIGH VOLTAGE WARNING
30	1	5666	DECAL, CE MARK, SMALL
31	4	6018	DECAL, CAUTION CONSIDER ALL SURFACES HOT
32	1	6270	DECAL, CAUTION 230V/50 HZ
33	1	21151	DROP SHELF, MINI DISPLAY WARMER
34	1	21153	LID ASSEMBLY, BULK WARMER

IX. SERVICE INSTRUCTIONS



Only a qualified person should perform the following diagnostic checks, and, if necessary, corresponding adjustments and repairs. Many of the following procedures may present an electrical shock hazard and can cause serious injury or death.



Perform work only on de-energized circuits. Failure to do so may lead to electrical shock resulting in personal injury or death.

A. Parts

When ordering parts, refer to the parts list included with this manual. Always supply the serial number and model number of your machine.

B. Check Unit Periodically

Periodically check electrical switch and cord for signs of wear. Check all screws and rivets for tightness.

C. To Access Electrical Components

To access all electrical components, unplug power cord from outlet, and then lay unit on its side and remove the four screws from the bottom cover, exposing heating element, switch, and wiring. **THIS UNIT IS NOT FUSED.**

D. Troubleshooting

PROBLEM	POSSIBLE CAUSE	ACTION
Unit will not heat.	Machine unplugged or not switched on.	Plug unit in. Turn on power.
	Loose connection to heat element or failure.	Repair connection or replace element
	Blower unplugged or blocked	Check for any blockage and clear
	Thermostat/Heat Pad failed	Replace Heat Pad

This manual is filled with time-saving and money-saving information regarding your Cretors snack warmer machine. There is nothing, however, more important than the safety aids and warnings found throughout this document.

If you have any questions regarding the operation or cleaning of your Cretors snack warmer machine, contact your local distributor. Should you have any difficulties or are unable to reach them, feel free to contact the Customer Service Department at C. Cretors and Company.

Additional copies of this manual can be obtained from C. Cretors and Company at the address listed below. Please provide model and serial number when requesting additional copies of this manual. There will be a nominal charge for additional copies.

Cretors guarantees this machine to be free of defects in parts, materials and workmanship for two years. Please take this time to fill out the factory registration card and return it to the factory to activate your warranty. If you have any questions concerning the Cretors' warranty, please contact your local distributor or the Customer Service Department at C. Cretors and Company.



C. CRETORS AND COMPANY
176 MITTEL DRIVE

WOOD DALE, IL 60191

PHONE (773) 588-1690, (800) 228-1885, FAX (847) 616-6970

WEB SITE: <http://www.cretors.com> Email: postmaster@cretors.com

Cretors joins the information age! Check out our links <http://www.twitter.com>

<http://www.facebook.com/pages/Chicago-IL/C-Cretors-Co/90143449620>

