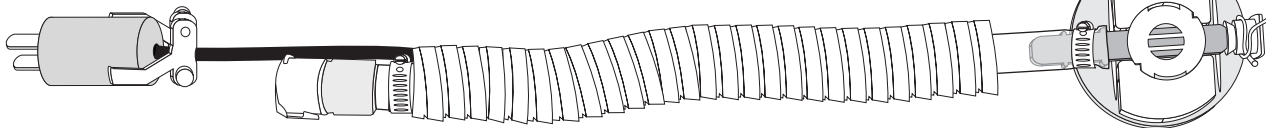
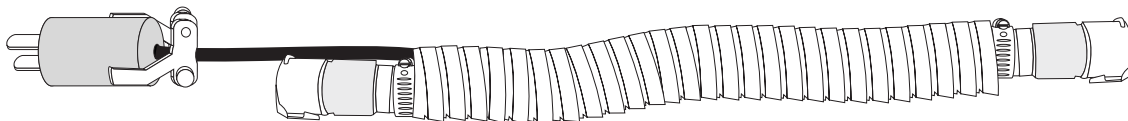
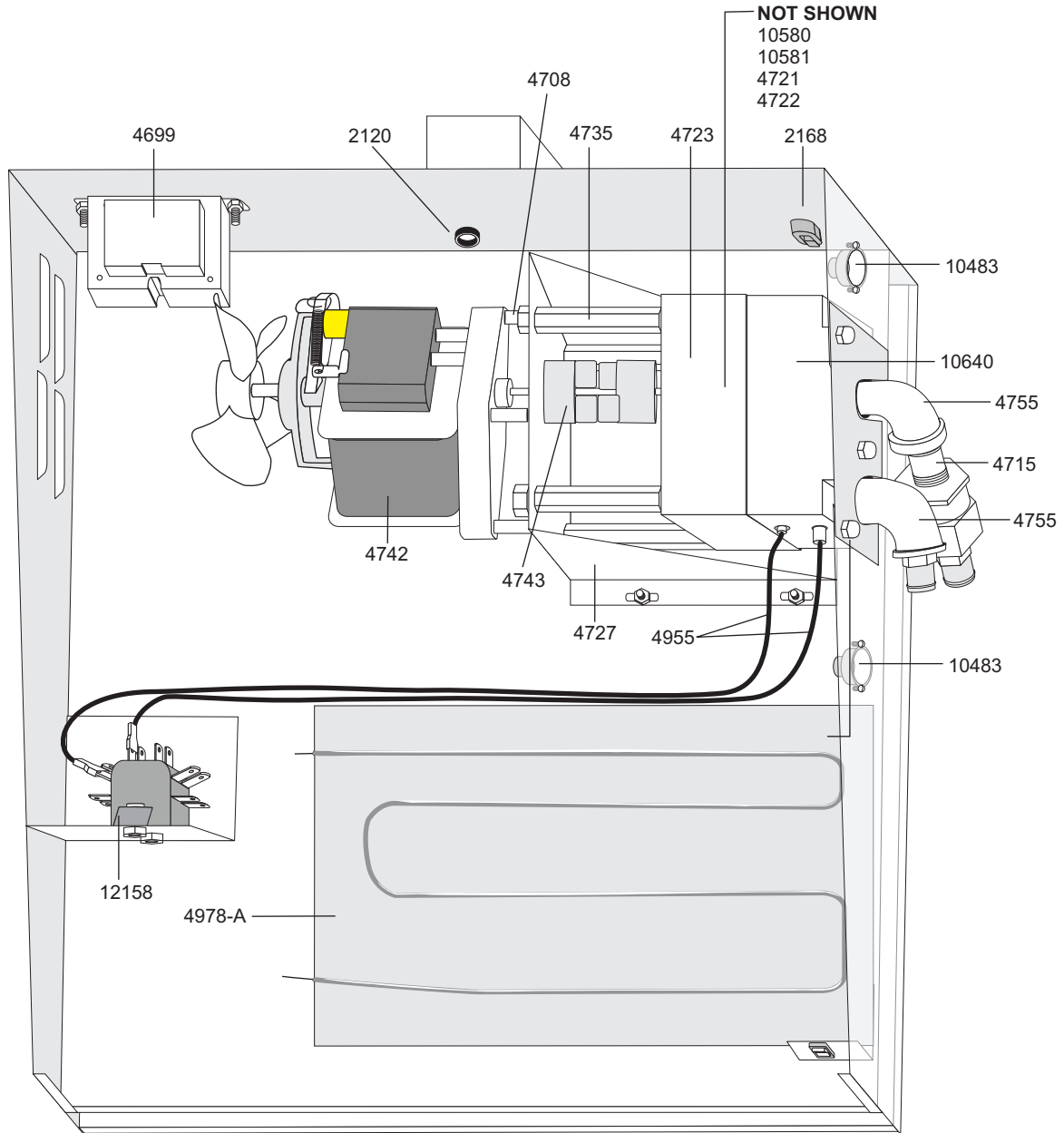


- 11062 HEATED TUBE ASSY - FRONT
- 1069 HOSE CLAMP
- 5352 PLUG
- 5355 HEATER - ROPE 18"
- 5971 HEATER FRONT ASSEMBLY
- 5975-F SLEEVE - STAINLESS STEEL - FRONT
- 10863 TUBING - SILICONE BIB TOPPER
- 11055 HOSE GRIP



- 11089 HEATED TUBE ASSY - REAR
- 1069 HOSE CLAMP
- 5352 PLUG
- 5356 HEATER - ROPE 26"
- 5972 HEATER REAR ASSEMBLY
- 5975-R SLEEVE - STAINLESS STEEL - REAR
- 10863 TUBING - SILICONE BIB TOPPER
- 11055 HOSE GRIP





- 2120 BUSHING - HEYCO
- 2168 CORD GRIP
- 4699 TRANSFORMER
- 4708 SPACER
- 4715 NIPPLE
- 4732 PUMP BODY
- 4735 SPACER
- 4742 MOTOR
- 4743 COUPLING CDC PUMP ASSY.
- 4755 ELBOW - 90 DEGREE
- 4955 CDC PUMP HEATER
- 12158 TERMINAL BLOCK

BREAKDOWN OF 4955

- 5176 THERMOSTAT TYPE J
- 1658 HEATER TUBULAR

- 4978-A HEAT PAD
- 10640 PUMP FACE PLATE
- 10483 RECEPTACLE ASSEMBLY
- NOT SHOWN**
- 4721 O RING
- 4722 SEAL
- 10580 SS GEAR & SHAFT ASSEMBLY (SHORT)
- 10581 SS GEAR & SHAFT ASSEMBLY (LONG)

C. CRETORS AND COMPANY

176 MITTEL DRIVE

WOOD DALE, IL 60191

PHONE: (847)616-6900, (800)228-1885, FAX: (847)616-6970

WEB SITE: <http://www.cretors.com> Email: postmaster@cretors.com

