

1124	HANDLE
1294	HANDLE-LIFT
1968-1	CLIP - PILASTER SHELF
2833	WIRE RACK
2834	LEG 4" CHROME
2835	PLEXI-SLIDING DOOR 28-3/4" x 15-3/4 x1/4" ( 73.03cm x 40.01cm)
4006	INSIDE CORNER W/ TRACK GLASS - SIDE
4013	POPPER CASE BOTTOM
4015	CORD - 15 AMP, 14-3 NEMA 5-20P
4651-6	TOP SIGN BRACKET
4681	TOP PANEL
5130	SWITCH - LIGHTED
6255	DOOR TRACK TOP
6256	DOOR TRACK BOTTOM
6258	AIR DUCT
7647	8-32 x 3/8 BINDING HEAD
7656	6-32 x 3/8 BINDING HEAD
7788	#6 LOCKWASHER
7789	# 8 STAR LOCKWASHER
10423	TOP SHELL - SIDE 28"
10430	TOP SHELL BLANK PANEL
10487	SIGN - RED & YELLOW (LONG)
10536	#6 x 3/8 PHIL TRUSS
10623	SIGN BACKING FOR # 10487

**NOT SHOWN**

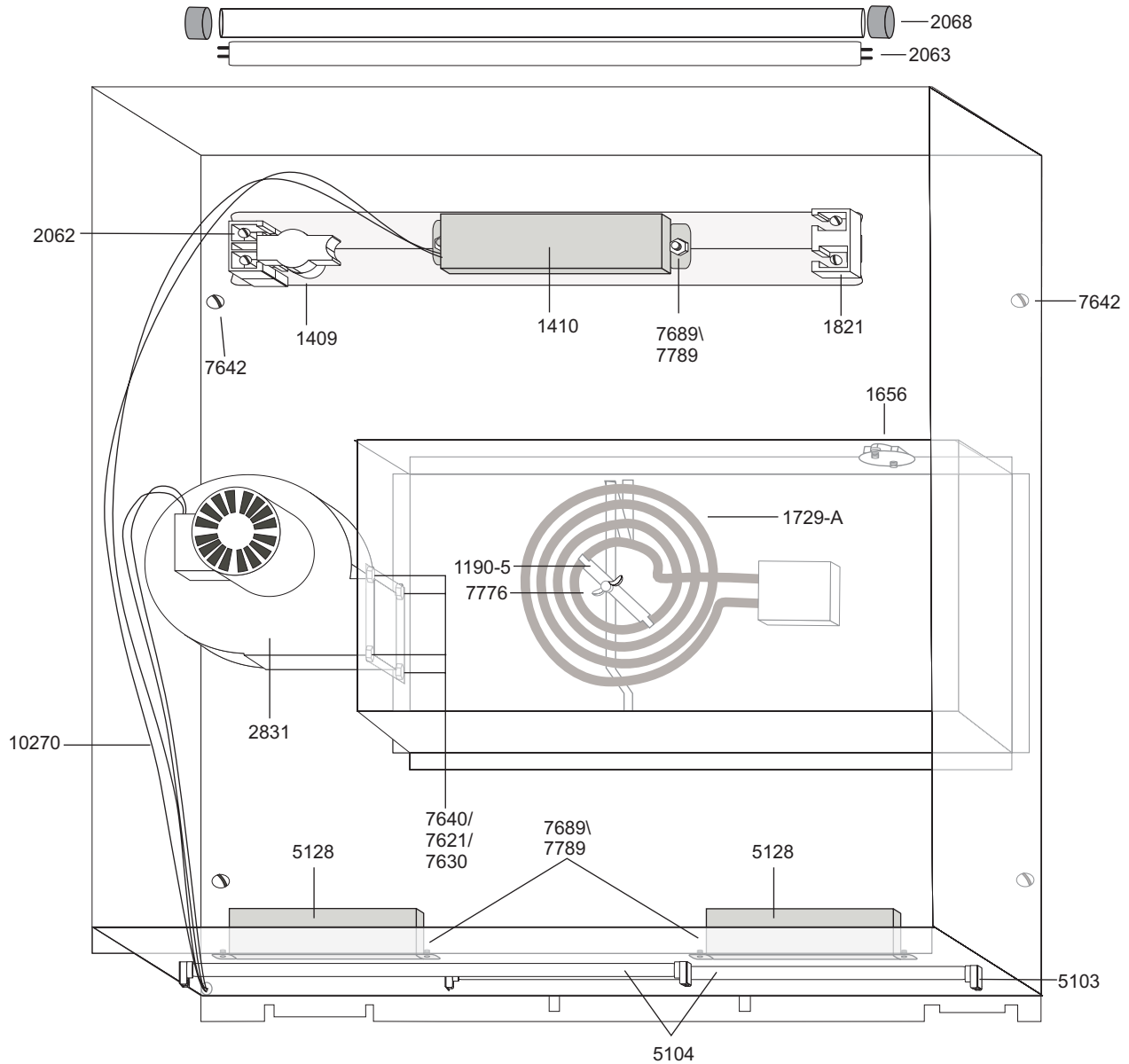
1829-1	GLASS-SIDE 23-5/16" x 29-11/16" (59.21cm x 75.41cm )
1830-1	GLASS-FRONT 29-3/4" x 31-1/4" (75.57cm x 79.38 )
4007	INSIDE CORNER W/ TRACK DOOR SIDE
5121	SIGN - POPCORN-FRONT / REAR (OLD STYLE)

**DIPLOMAT SHOWCASE WARMER - 120V**

TOP VIEW LOOKING DOWN  
BEGINNING SERIAL 98010633

DOC: DSW30002

DSW-A-3.1-A  
10/98



- |        |                                   |       |                           |
|--------|-----------------------------------|-------|---------------------------|
| 1190-5 | ELEMENT CLAMP                     | 7630  | 1/4-20 x 1/2 HEX BOLT     |
| 1409   | STARTER                           | 7640  | 1/4-20 HEX NUT            |
| 1410   | BALLAST                           | 7642  | 8-32 x 3/8 SS. TRUSS HEAD |
| 1656   | THERMOSTAT 180 DEG F              | 7689  | 8-32 CAP NUT              |
| 1729-A | ELEMENT 1800W / 240V              | 7789  | #8 STAR LOCKWASHER        |
| 1821   | SOCKET FLUORESCENT                | 10270 | WIRING HARNESS            |
| 2062   | LAMPHOLDER COMBINATION            |       |                           |
| 2063   | LAMP-FLUORESCENT F20T12WW         |       |                           |
| 2068   | PLASTIC LIGHT SHIELD FOR F20Y12WW |       |                           |
| 2831   | BLOWER- (4C447)                   |       |                           |
| 5103   | LIGHT SOCKET                      |       |                           |
| 5104   | LAMP - FLUORESCENT F13T5CW        |       |                           |
| 5128   | BALLAST - 20 WATT                 |       |                           |
| 7621   | 1/4 INTERNAL TOOTH LOCKWASHER     |       |                           |

**C. CRETORS AND COMPANY**  
176 MITTEL DRIVE

WOOD DALE, IL 60191

PHONE: (847)616-6900, (800)228-1885, FAX: (847)616-6970

WEBSITE: <http://www.cretors.com>