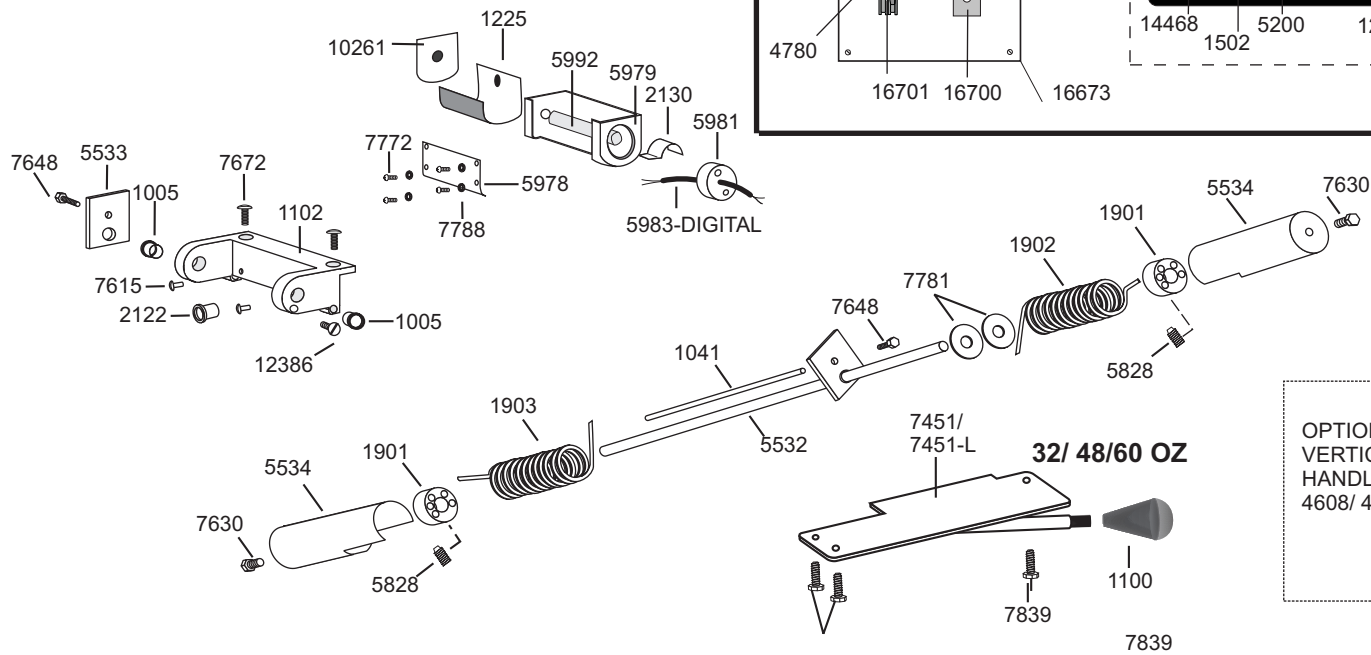
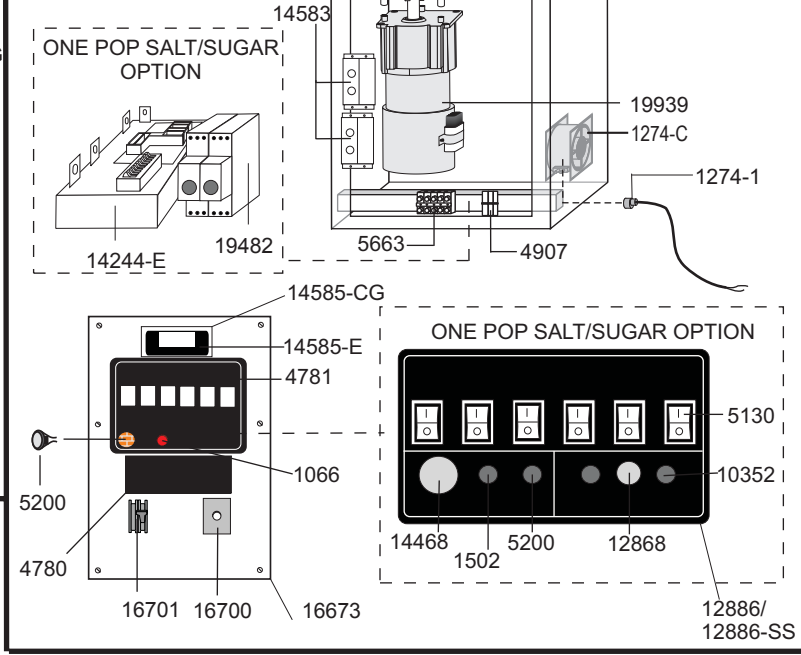
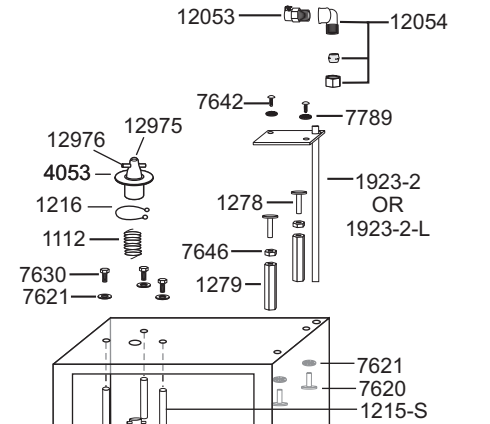
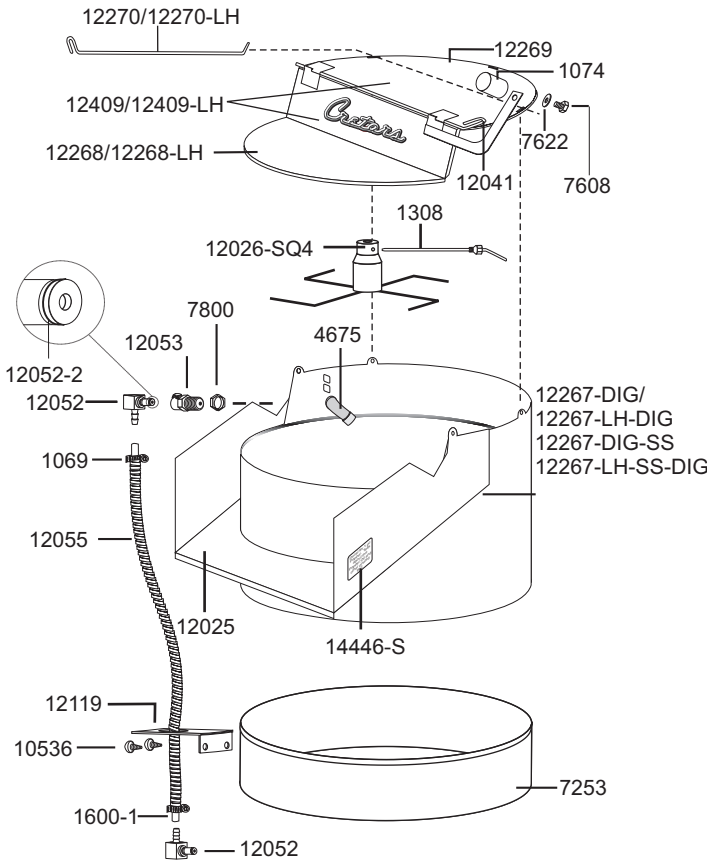


**PR32,EG32,PR48,EG48,PR60,EG60**  
**ONEPIECEKETTLE&PEDESTAL PARTS**  
**120/208V,120/240V/60Hz**  
**ONE POP & SALT/SUGAR OPTION**  
 BEGINNING SERIAL: 1810000

DOC: G2000050 G1P32/48/60-C/D-2.0-B  
 10/2018

**KETTLE ASSEMBLIES**

- (All have -DIG suffix)  
 7251ZP-C-DIG  
 7251ZP-D  
 7251ZP-C-LH.  
 7251ZP-D-LH  
 7251ZP-C-SS  
 7251ZP-D-SS  
 7251ZP-C-LH-SS.  
 7251ZP-D-LH-SS  
 7594ZP-C  
 7594DWIP-D  
 7594ZP-C-LH.  
 7594ZP-D-LH  
 7594ZP-C-SS  
 7594ZP-D-SS  
 7594ZP-C-LH-SS.  
 7594ZP-D-LH-SS



OPTIONAL  
 VERTICAL DUMP  
 HANDLE  
 4608/ 4608-L

**PR32, EG32, PR48, EG48, PR60, EG60**  
**ONE PIECE KETTLE & PEDESTAL PARTS**  
**120/208V, 120/240V/60Hz**  
**ONE POP & SALT/SUGAR OPTION**  
BEGINNING SERIAL: 10050000

DOC: G2000050 G1P32/48/60-C/D-2.0-B  
05/2010

|              |                                   |           |   |
|--------------|-----------------------------------|-----------|---|
| 1005         | OILITE BEARING                    | 7451-L    | DUMP HANDLE - G32/48/60E LEFT HAND      |
| 1026         | PAN LUG                           | 7608      | 3/8-24 x 3/8 HEX HEAD                   |
| 1041         | PAN DUMP SPRING ROD               | 7615      | 1/4-20 X 3/4 HEX CAP SCREW              |
| 1066         | SWITCH - PUSH BUTTON              | 7620      | 1/4-28 x 3/8 HEX HEAD                   |
| 1069         | CLAMP HOSE                        | 7621      | 1/4" INTERNAL TOOTH LOCKWASHER          |
| 1074         | COUNTERWEIGHT                     | 7622      | 3/8 WASHER                              |
| 1100         | DUMP HANDLE KNOB                  | 7624      | 1/4-28 x 1/2 HEX CAP                    |
| 1102         | KETTLE SUPPORT BRACKET            | 7630      | 1/4-20 x 1/2 HEX BOLT                   |
| 1112         | STIRRER SHAFT SPRING              | 7642      | 8-32 x 3/8 SS TRUSS HEAD                |
| 1140         | PAN CENTER                        | 7646      | 1/4-28 HEX NUT                          |
| 1215-S       | MOTOR MOUNT STUD SET (3)          | 7648      | 5/16-18 x 3/4 CAP SCREW                 |
| 1216         | DRIVE HEAD RETAINING RING         | 7650      | 1/4-20 x 3/8 HEX HEAD                   |
| 1225         | FISH PAPER                        | 7659      | 10-24 x 3/4 FILL HEAD W/SPACER TUBE     |
| 19939        | MOTOR                             | 7672      | 1/4-20 x 3/4 OVAL HEAD SCREW            |
| 1278         | KETTLE LEVEL ADJ. SCREW           | 7772      | 6-32 x1/4 BINDING HEAD                  |
| 1279         | KETTLE ADJUSTING SPACER           | 7779      | 1/4" SAE FLAT WASHER                    |
| 1308         | ANTI-PAK PIN                      | 7781      | 1/2 " FLAT WASHER                       |
| 1319         | PAN CENTER WASHER                 | 7788      | #6 LOCKWASHER                           |
| 1502         | INDICATOR LIGHT - GREEN           | 7789      | # 8 STAR WASHER                         |
| 1600-1       | TUBING-SILICONE PER FOOT          | 7800      | 1/4" NPT HEX THIN NUT                   |
| 1901         | SPRING COLLAR                     | 7839      | 1/4 -28 x 5/8 HEX HEAD                  |
| 1902         | DUMP SPRING - 13 COIL             | 7898      | 10-24 x 1/2 SS WELD SCREW               |
| 1903         | DUMP SPRING - 10 COIL             | 7839      | 1/4-28 x 5/8 HEX HEAD                   |
| 1923-2       | DISCHARGE TUBE BOTTOM- 32 OZ      | 10261     | FISHPAPER WASHER DIRECT WIRE            |
| 1923-2-L     | DISCHARGE TUBE BOTTOM-LONG        | 10352     | INDICATOR LIGHT W/TABS                  |
| 2122         | BUSHING HEYCO                     | 10536     | 6-32 x 3/8 SHEET METAL SCREWS           |
| 2130         | PIPE CLAMP                        | 12025     | KETTLE APRON - 1 PC                     |
| 3913-1       | 3/8 SS FLEXIBLE CONDUIT           | 12026-SQ4 | STIRRER BLADE ASSY                      |
| 14446-S      | DECAL - CORN                      | 1204      | HINGE PIN - 1 PC                        |
| 4053         | MOTOR DRIVE HEAD W/SHIELD         | 12052     | ELBOW - DIRECT OIL                      |
| 4261         | CIRCUIT BREAKER - 120V/15A        | 12052-2   | "O" RING                                |
| 4675         | 1/4" SS ELBOW                     | 12053     | COUPLING DIRECT OIL                     |
| 4780         | DECAL - INSTRUCTIONS - 20/32/48   | 12054     | 1/4" NPT TO 3/8" TUBE RIGHT ANGLE       |
| 4781         | DECAL - SWITCH                    | 12055     | TUBE COVER- 3/8" x 24" SS FLUID CONDUIT |
| 16673        | SWITCHPLATE - ROCKER - DIGITAL    | 12119     | OIL TUBE BRACKET                        |
| 4907         | TERMINAL BLOCK 40 AMP             | 19482     | TIMER- 120V/230V DUAL - OFF DELAY       |
| 5130         | SWITCH - LIGHTED                  | 12268     | KETTLE COVER - FRONT                    |
| 5200         | INDICATOR LIGHT                   | 12269     | KETTLE COVER - REAR                     |
| 16701        | CIRCUIT BREAKER - 50 AMP          | 12270     | KETTLE COVER PIN                        |
| 5532         | CROSS SHAFT                       | 12409     | KETTLE COVER ASSY 1 PC/2 PIN            |
| 5533         | CROSS SHAFT LUG                   | 12868     | TOGGLE SWITCH-3PDT-ON/OFF               |
| 5534         | SPRING COVER                      | 16673     | SWITCHPLATE - ONE POP - DIGITAL         |
| 5663         | TERMINAL BLOCK                    | 12886     | DECAL - ONE POP (SS = SALT SUGAR)       |
| 5828         | 5/16-24 x 1/2 HALF DOG PT. SET SC | 12975     | 1/4-28 X 3/16 SET SCREW                 |
| 5977         | WIRE TERMINAL STUD                | 12976     | DRIVE PIN-MOTOR DRIVE HEAD              |
| 5979         | TERMINAL HOUSING - DIRECT WIRE    | 14468     | SWITCH-DOUBLE POLE-PUSH BUTTON          |
| 5978         | TERMINAL COVER PLATE              | 14583     | RELAY-120V.-SINGLE POLE                 |
| 5980         | MYKROY PLATE                      | 14585-E   | DIGITAL CONTROLLER - 120V               |
| 5981         | BAKELITE WASHER                   | 14585-CG  | DIGITAL CONTROLLER GUARD                |
| 5983-DIGITAL | WIRE ASSY-DW (C,D,E)              |           |   |
| 5992         | INSULATOR TUBE                    |           |   |
| 7253         | RETAINER - G32/48/60E             |           |   |
| 7451         | DUMP HANDLE - G32/48/60E          |           |   |

C. CRETORS AND COMPANY  
3243 N. CALIFORNIA AVENUE  
CHICAGO, IL 60618  
PHONE: (773)588-1690, (800)228-1885, FAX: (773)588-2171  
WEB SITE: <http://www.cretors.com> Email: [postmaster@cretors.com](mailto:postmaster@cretors.com)

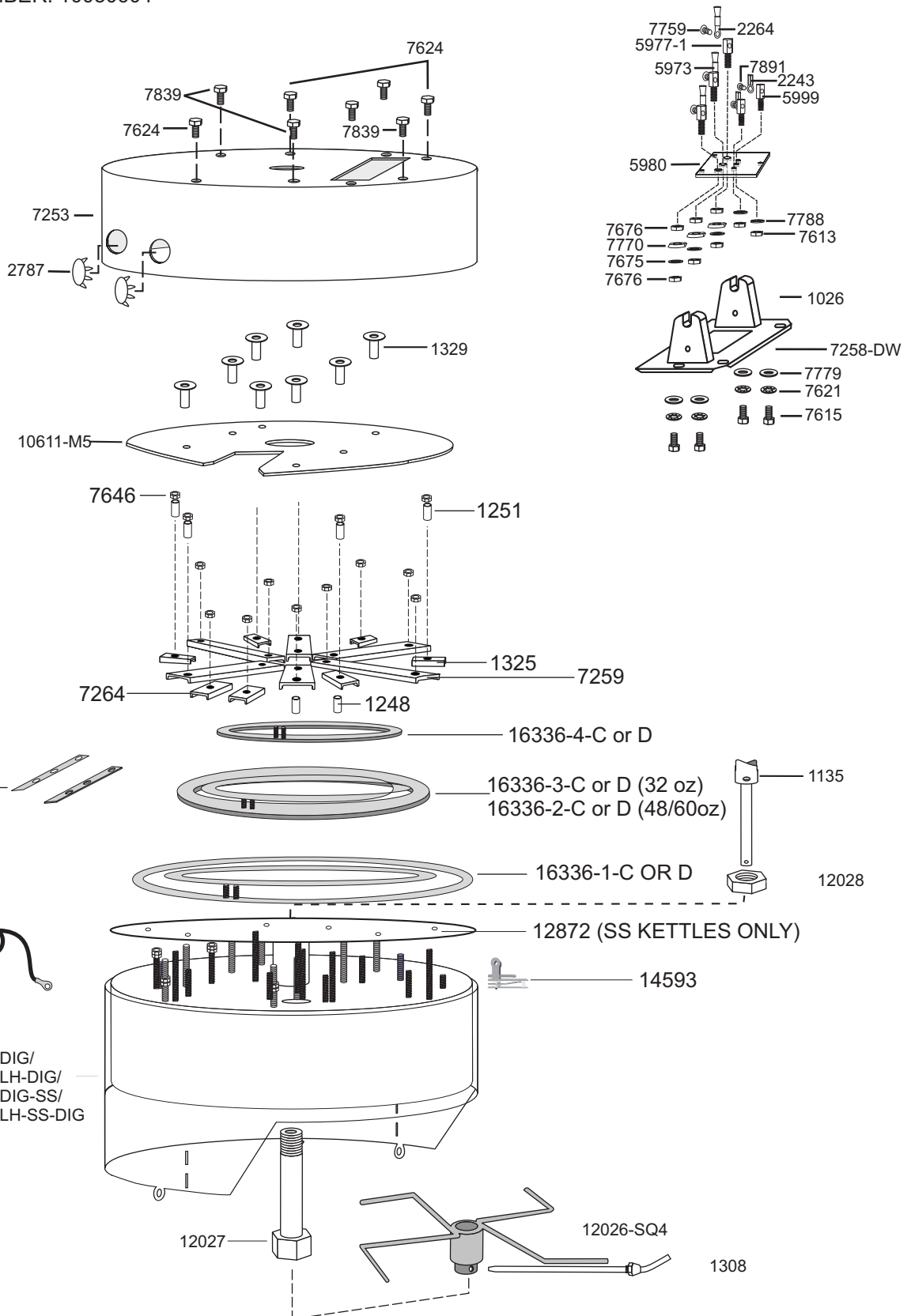
**EG(PR) 32/48/60 ONE PIECE KETTLE BREAKDOWN**  
**120/208; 120/240; 230V; 400V**

DOC: G2000049

G32/48/60-C/D/E/G-2.1-A  
 05/2010

UPSIDE-DOWN VIEW

BEG. SERIAL NUMBER: 10050604

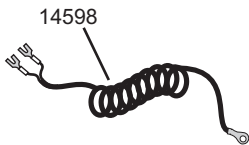
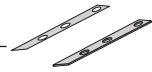


FOR CE MARKED MACHINES, 3918 WAS REPLACED WITH 14593 AND 14942 ON 400v MACHINES BEGINNING 07/08.



14942 (LOCATED IN CABINET)

16394 (400v kettles use 1 16394 and 1 16395 not shown)



---

**EG(PR) 32/48/60 ONE PIECE KETTLE BREAKDOWN**  
**120/208; 120/240; 230V; 400V**

DOC: G2000049

G32/48/60-C/D/E/G-2.1-A  
05/2010

UPSIDE-DOWN VIEW

BEG. SERIAL NUMBER: 10050604

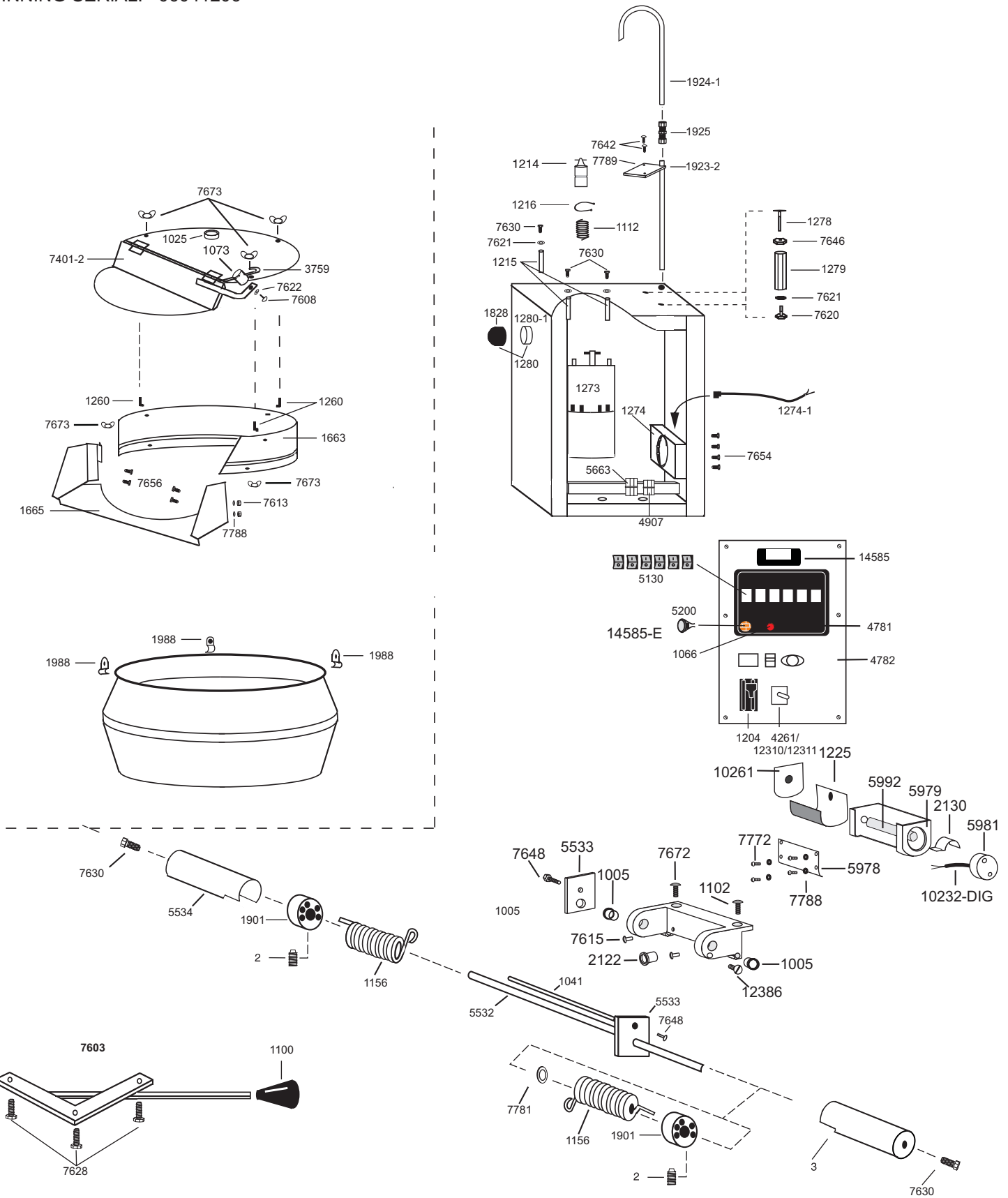
|           |                                  |                 |  |
|-----------|----------------------------------|-----------------|--|
| 1026      | PAN LUG                          | 12028           | CENTER STUD LOCKNUT                            |
| 1135      | CLUTCH DOG AND SHAFT             | 12267-DIG       | POPPER PAN-ONE PC. DROP-48 OZ -DIG             |
| 1251      | 5/8" SPACER                      | 12267-LH-DIG    | POPPER PAN 48 OZ.-LEFT HAND - DIG              |
| 1308      | ANTI-PAK PIN                     | 12267-SS-DIG    | POPPER PAN - SS ONE PC. DROP- 48 OZ<br>DIGITAL |
| 1325      | ELEMENT CLAMP 3-1/4"             | 12267-LH-SS-DIG | POPPER PAN - SS - 48oz - LEFT HAND<br>DIGITAL  |
| 1329      | RETAINER HEX SPACER              | 12872           | DIFFUSER PLATE                                 |
| 2243      | TERMINAL-WIRE                    | 14593           | HIGH LIMIT                                     |
| 2264      | HIGH TEMP. TERMINAL              | 14598           | THERMOCOUPLE-GIANT                             |
| 2787      | HOLE PLUG 1/2"                   | 14942           | HIGH LIMIT-LATCHING RELAY                      |
| 5973      | HEAT SHRINK                      | 16336-1-C       | ELEMENT 2000 WATT, 240 VOLT                    |
| 5977-1    | WIRE TERMINAL STUD               | 16336-1-D       | ELEMENT 2000 WATT, 208 VOLT                    |
| 5980      | MYROY PLATE                      | 16336-2-C       | ELEMENT 3050 WATT, 240 VOLT (48/60 OZ)         |
| 5999      | THERMOCOUPLE STUD                | 16336-2-D       | ELEMENT 3050 WATT, 208 VOLT (48/60 OZ)         |
| 7253      | RETAINER                         | 16336-3-C       | ELEMENT 1500 WATT, 240 VOLT(32OZ)              |
| 7258-DW   | PAN LEG PLATE-G48/60E-DIRCT WIRE | 16336-3-D       | ELEMENT 1500 WATT, 208 VOLT(32OZ)              |
| 7259      | ELEMENT CLAMP 5-1/4"             | 16336-4-C       | ELEMENT 750 WATT, 240 VOLT                     |
| 10611-M5  | BAFFLE PLATE                     | 16336-4-D       | ELEMENT 750 WATT, 208 VOLT                     |
| 7264      | ELEMENT CLAMP 1-5/8"             | 16394           | NICKEL STRAP-4.5"                              |
| 7605      | KETTLE WIRE SET                  | 16395           | KETTLE ELEMENT JUMPER - 400V                   |
| 7613      | 6-32 X 5/16 X 7/64 HEX NUT       | 16400           | ELEMENT SPACER                                 |
| 7615      | 1/4-20 X 3/4 HEX CAP SCREW       |                 |  |
| 7621      | 1/4" INTERNAL TOOTH LOCKWASHER   |                 |  |
| 7624      | 1/4-28 x 1/2 HEX CAP             |                 |  |
| 7646      | 1/4-28 HEX NUT                   |                 |  |
| 7675      | # 10 FLAT MONEL WASHER           |                 |  |
| 7676      | 10-32 MONEL NUT                  |                 |  |
| 7759      | 10-32 SCREW                      |                 |  |
| 7779      | 1/4" SAE FLAT WASHER             |                 |  |
| 7788      | #6 STAR LOCKWASHER               |                 |  |
| 7797      | 4-36 x 1/8 SLOTTED BINDER HEAD   |                 |  |
| 7839      | 1/4-28 x 5/8 HEX HEAD            |                 |  |
| 7891      | 8-32 X 3/16 SS PAN HEAD SCREW    |                 |  |
| 10313     | KETTLE WIRE SET (400V ONLY)      |                 |  |
| 10611-M5  | BAFFLE PLATE                     |                 |  |
| 12026-SQ4 | STIRRER BLADE - 4 BLADE SQUARE   |                 |  |
| 12027     | PAN CENTER 1 PC                  |                 |  |

---

C. CRETORS AND COMPANY  
3243 N. CALIFORNIA AVENUE  
CHICAGO, IL 60618

PHONE: (773)588-1690, (800)228-1885, FAX: (773)588-2171

WEB SITE: <http://www.cretors.com> Email: [postmaster@cretors.com](mailto:postmaster@cretors.com)



**PR20, EG20 KETTLE AND PEDESTAL PARTS**

BEGINNING SERIAL: 06041206

DOC: G2000041

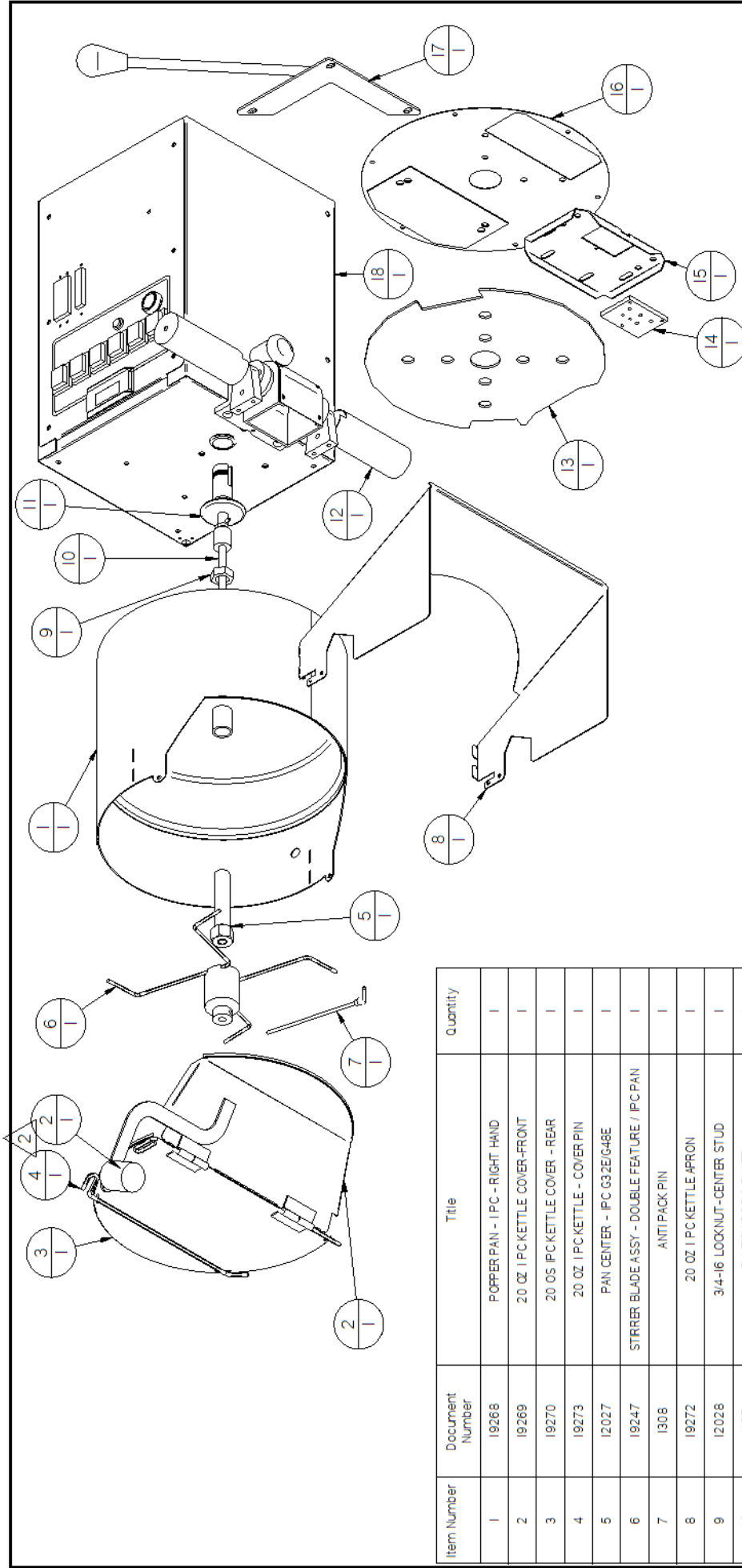
G20-C/D-2.0-B

6/07

|          |                               |           |                                   |
|----------|-------------------------------|-----------|-----------------------------------|
| 1005     | OILITE BUSHING                | 4907      | TERMINAL BLOCK 40 AMP             |
| 1025     | COVER OIL FUNNEL              | 5130      | SWITCH - LIGHTED - 230V           |
| 1026     | PAN LUG                       | 5200      | INDICATOR LIGHT                   |
| 1041     | PAN DUMP SPRING ROD           | 5532      | CROSS SHAFT                       |
| 1066     | SWITCH - PUSH BUTTON          | 5533      | CROSS SHAFT LUG                   |
| 1073     | COUNTERWEIGHT - 20 OZ.        | 5534      | SPRING COVER                      |
| 1100     | DUMP HANDLE KNOB              | 5534 - W  | CROSS SHAFT WASHER- 380V          |
| 1102     | KETTLE SUPPORT BRACKET        | 5663      | TERMINAL BLOCK                    |
| 5979     | TERMINAL HOUSING COVER        | 5828      | 5/16-24 x 1/2 HALF DOG PT. SET SC |
| 1112     | STIRRER SHAFT SPRING          | 5978      | TERMINAL COVER                    |
| 1156     | DUMP SPRING                   | 5979      | TERMINAL HOUSING COVER            |
| 1204     | CIRCUIT BREAKER               | 5981      | BAKELITE WASHER                   |
| 1214     | MOTOR DRIVE HEAD              | 5992      | INSULATOR TUBE                    |
| 1215     | MOTOR MOUNT STUD SET          | 7401-2    | KETTLE COVER W/ FUNNEL - NSF      |
| 1216     | DRIVE HEAD RETAINING RING     | 7502      | COLLECTOR RING ASSEMBLY           |
| 1225     | FISH PAPER                    | 7603      | DUMP HANDLE ASSY. - S.S.          |
| 1259     | 1/2" SHAFT COLLAR             | 7608      | 3/8-24 X 3/4 HEXBOLT              |
| 1260     | ANCHOR LUG                    | 7613      | 6-32 x 5/16 7/64 HEX NUT          |
| 1273     | MOTOR                         | 7616      | 8-32 BINDING HEAD SCREW           |
| 1274-1   | BLOWER CORD SET               | 7620      | 1/4-28 X 3/8 HEX HEAD             |
| 1274     | BLOWER                        | 7621      | 1/4" IT LOCKWASHER                |
| 1278     | KETTLE LEVEL ADJ. SCREW       | 7622      | 3/8 WASHER                        |
| 1279     | KETTLE ADJUSTING SPACER       | 7628      | 1/4-28 x 3/4 HEX HEAD             |
| 1280     | KETTLE BUMPER - COMPLETE      | 7630      | 1/4-20 x 1/2 HEX BOLT             |
| 1311     | SPRING COLLAR                 | 7642      | 8-32 x 3/8 SS TRUSS HEAD          |
| 1663     | KETTLE SHIELD                 | 7646      | 1/4-28 X 3/4 HEX NUT              |
| 1665     | KETTLE APRON                  | 7648      | 5/16-18 X 3/4 CAP SCREW           |
| 1828     | RUBBER KETTLE BUMPER          | 7654      | 10-24 x 3/8 BH - NYLOK PATCH      |
| 1901     | SPRING COLLAR                 | 7659      | 10-24 X 3/4 W/SPACER TUBE         |
| 1923-2   | DISCHARGE TUBE - BOTTOM       | 7672      | 1/4-20 X 3/4 OVAL HEAD SCREW      |
| 1924 - 1 | DISCHARGE TUBE - TOP - 20 OZ. | 7673      | 10-24 WING NUT                    |
| 1925     | DISCHARGE TUBE COUPLING       | 7788      | # 6 LOCKWASHER                    |
| 1988     | KETTLE SHIELD BRACKET         | 7789      | # 8 STAR LOCK WASHER              |
| 2130     | CLAMP                         | 7781      | 1/2 " FLAT WASHER                 |
| 3759     | COVER HINGE PIN - NSF         | 10232-DIG | KETTLE WIRE ASSY-DW               |
| 4261     | CIRCUIT BREAKER - 15A - 120V  | 10261     | FISHPAPER WASHER-DW               |
| 4780     | DECAL INSTRUCTIONS            | 12310/11  | FUSE HOLDER/ FUSE                 |
| 4782     | SWITCHPLATE                   | 14585     | DIGITAL CONTROLLER                |

---

*C. CRETORS AND COMPANY**176 MITTEL DRIVE**WOOD DALE, IL 60191**PHONE: (847)616-6900, (800)228-1885, FAX: (847)616-6970**WEB SITE: <http://www.cretors.com> Email: [postmaster@cretors.com](mailto:postmaster@cretors.com)*



| Item Number | Document Number | Title   | Quantity |
|-------------|-----------------|---|----------|
| 1           | 19268           | POPPER PAN - 1 PC - RIGHT HAND                | 1        |
| 2           | 19269           | 20 OZ 1 PC KETTLE COVER-FRONT                 | 1        |
| 3           | 19270           | 20 OS 1 PC KETTLE COVER - REAR                | 1        |
| 4           | 19273           | 20 OZ 1 PC KETTLE - COVER PIN                 | 1        |
| 5           | 12027           | PAN CENTER - 1PC G32E/G48E                    | 1        |
| 6           | 19247           | STRRRER BLADE ASSY - DOUBLE FEATURE / 1PC PAN | 1        |
| 7           | 1308            | ANTI PACK PIN                                 | 1        |
| 8           | 19272           | 20 OZ 1 PC KETTLE APRON                       | 1        |
| 9           | 12028           | 3/4-16 LOCKNUT-CENTER STUD                    | 1        |
| 10          | 1135            | CLUTCH DOG & SHAFT                            | 1        |
| 11          | 4053            | MOTOR DRIVE HEAD WITH SHIELD                  | 1        |
| 12          | 5534            | SPRING COVER                                  | 1        |
| 13          | 14496           | DIFFUSER PLATE - EG20                         | 1        |
| 14          | 5980            | MYCRO DISTRIBUTION PLATE - GIANT              | 1        |
| 15          | 19276           | PAN LEG PLATE                                 | 1        |

| Item Number | Document Number | Title                            | Quantity |
|-------------|-----------------|----------------------------------|----------|
| 16          | 19271           | 20 OZ 1 PC KETTLE - BOTTOM COVER | 1        |
| 17          | 7603            | DUMP HANDLE ASSEMBLY-SS.         | 1        |
| 18          | 1627-3          | PEDESTAL-RIGHT HAND-ELEC GIANT   | 1        |

|   |                         |   |      |
|---|-------------------------|---|------|
| <b>C. CRETORS &amp; COMPANY</b><br>3243 N. CALIFORNIA AVE., CHICAGO, IL 60618-5890<br>TEL: 773,588-1690. FAX: 773,588-2171  |                         | NAME: E20G<br>MATERIAL:                                     |      |
| TOLEANCES<br>XXXX ±.0020<br>XXXX ±.0005<br>FRACT: ±.164<br>132 SURFACE<br>±.5°  |                         | DRAWN BY: BUD<br>DATE:                                      |      |
| This drawing contains information proprietary to C. Cretors & Co. and is furnished in confidence for the sole purposes of supplying the recipient with needed engineering data. Its contents should not be disclosed or reproduced in any manner without the written consent of C. Cretors & Co. All Rights Reserved. |                         | CHK'D: DATE: SCALE: REV: A<br>APPROVED: DATE: DWG. No. EG20 |      |
| REV.  | DESCRIPTION OF REVISION | BY  | DATE |