

---

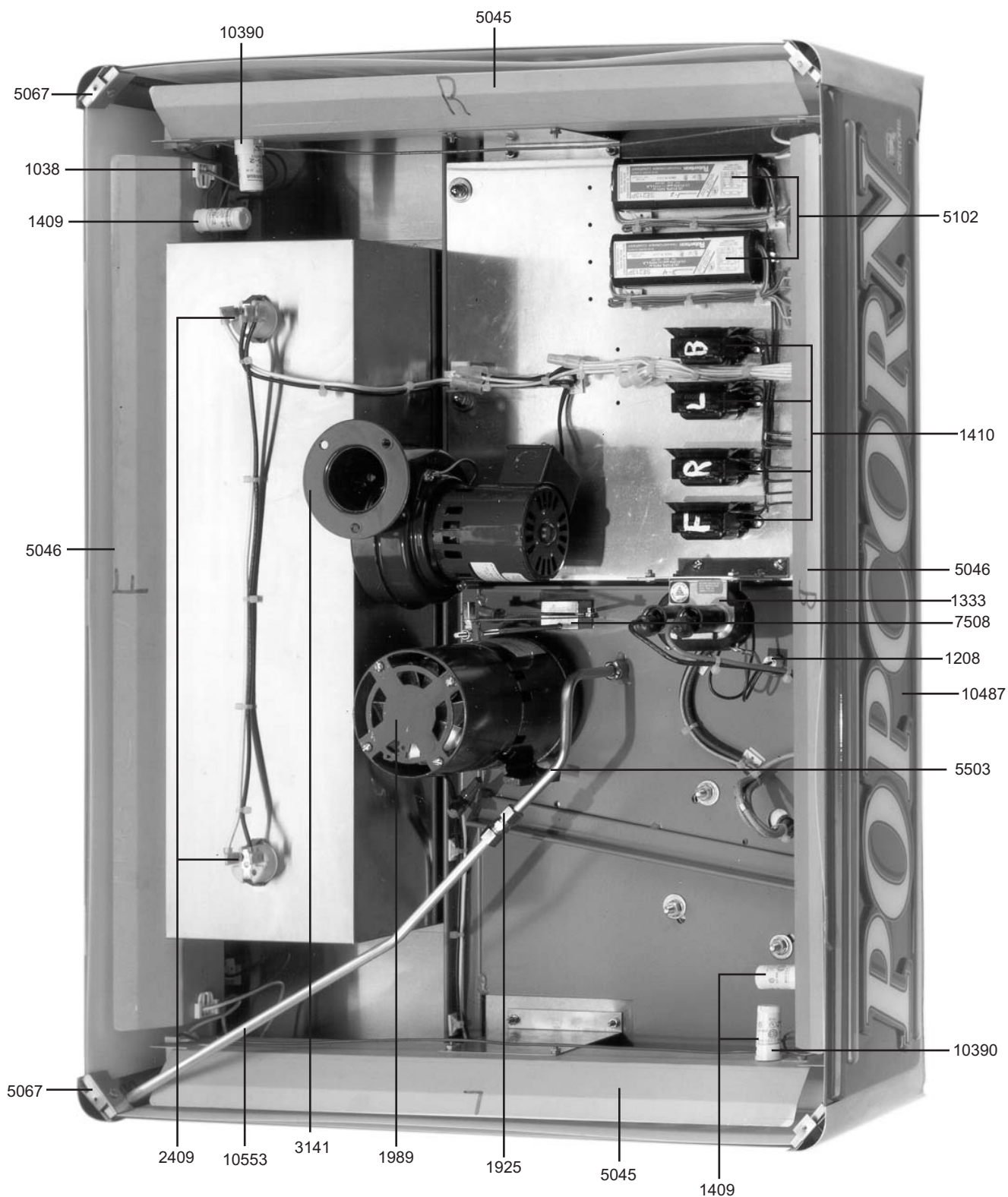
**HEADLINER - FRONT VIEW**

BEGINNING SERIAL: 00020573

DOC: HDL30001

HDL20/32-A-3.0-A

1294 HANDLE  
1836 CASTER WITHOUT BRAKE  
1836-L CASTER WITH BRAKE  
5011-L REAR INSIDE CORNER - HDL - LEFT  
5011-R REAR CORNER - RIGHT - HDL  
5019 DROP SHELF - HEADLINER  
5110 PLEXI 1/8 x 2-1/2 x 20 (HDL)  
5120 PLEXI- LIGHT BAR PANEL  
5139 POPPER CASE BOTTOM - PERF.  
5305-E TOP PANEL - HEADLINER - EXPORT  
10487 SIGN POPCORN - RED & YELLOW - LONG  
10488 SIGN - POPCORN - RED & YELLOW - SHORT  
10535 TOP PANEL PATCH  
10632 SIGH BACKING FOR P/N 10487 (NOT SHOWN)



---

**HEADLINER CABINET - TOP VIEW**

BEGINNING SERIAL: 00020573

DOC: HDL30003

HDL20/32-A-3.2-A  
05/2000

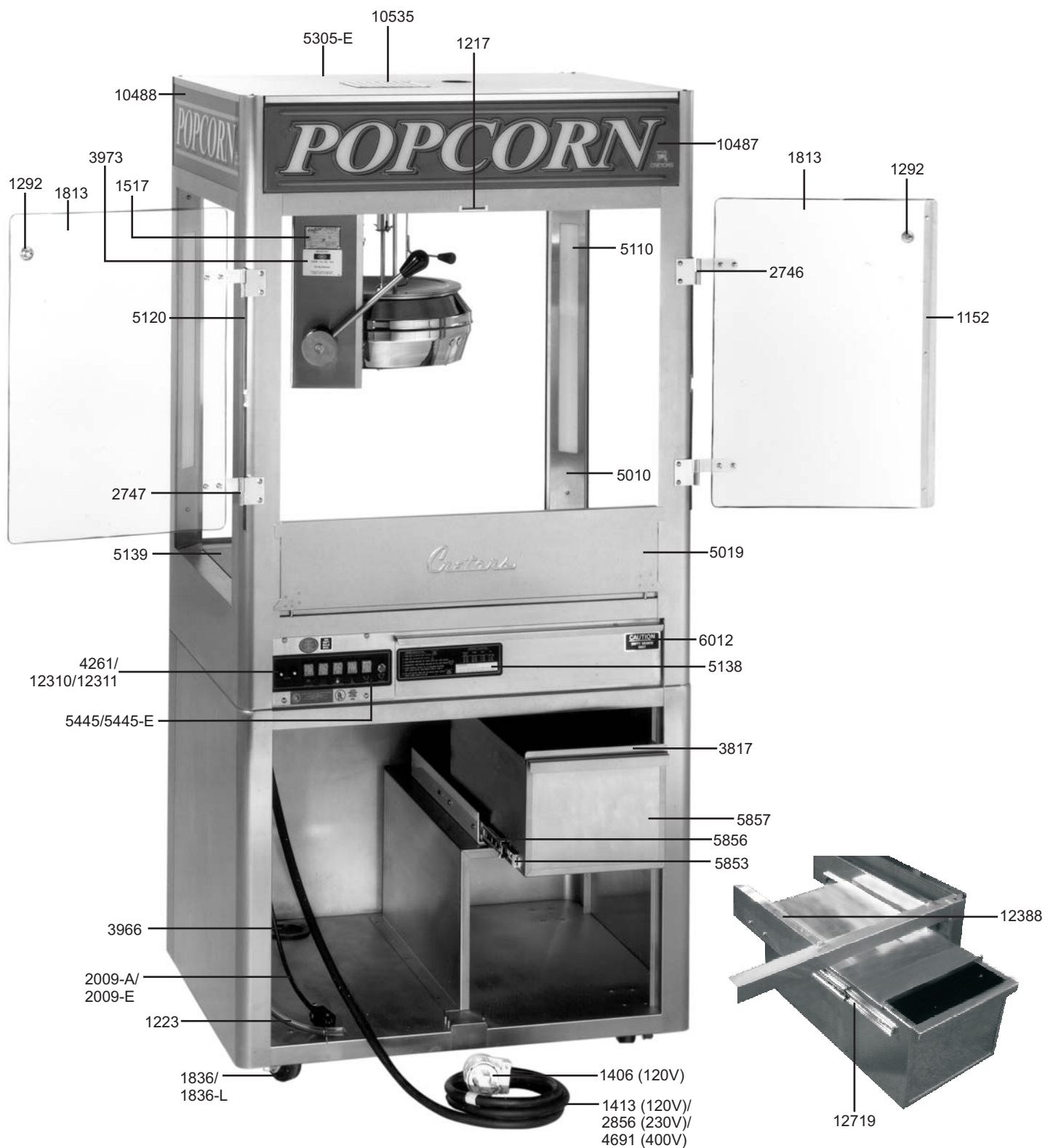
1208 INDICATOR LIGHT -230V  
1333 RELAY MERCURY - 2 POLE  
1409 STARTER FLUORESCENT-FS-2  
1410 BALLAST-20 WATT  
1925 DISCHARGE TUBE COUPLING  
1989 MOTOR (9L014)  
2409 SOCKET - SNAP-IN PORCELAIN  
3141 BLOWER (DAYTON 4C443)  
5045 EXHAUST DUCT-HEADLINER  
5046 REFLECTOR FRONT/REAR - HEADLINER  
5067 SIGN - CLIP HEADLINER  
5102 BALLAST (SE213P)  
5503 TUBE OIL - DISCHARGE  
7508 AUTOMATIC COVER LIFT  
10387 STARTER - FLUORESCENT  
10390 SOCKET-DI/HDL - 230/50HZ CE MARK  
10487 SIGN - POPCORN RED & YELLOW -(LONG)  
10553 RISER TUBE - HEADLINER

**HEADLINER CABINET - REAR VIEW**

BEGINNING SERIAL: 0606

DOC: HDL30004

HDL20/32-A-3.1-B  
07/06



C. CRETORS AND COMPANY  
176 MITTEL DRIVE, WOOD DALE, IL 60191  
PHONE: (847)616-6900, FAX: (847)616-6970  
WEB SITE: <http://www.cretors.com>

---

**HEADLINER CABINET - REAR VIEW**

BEGINNING SERIAL: 0606

DOC: HDL30004

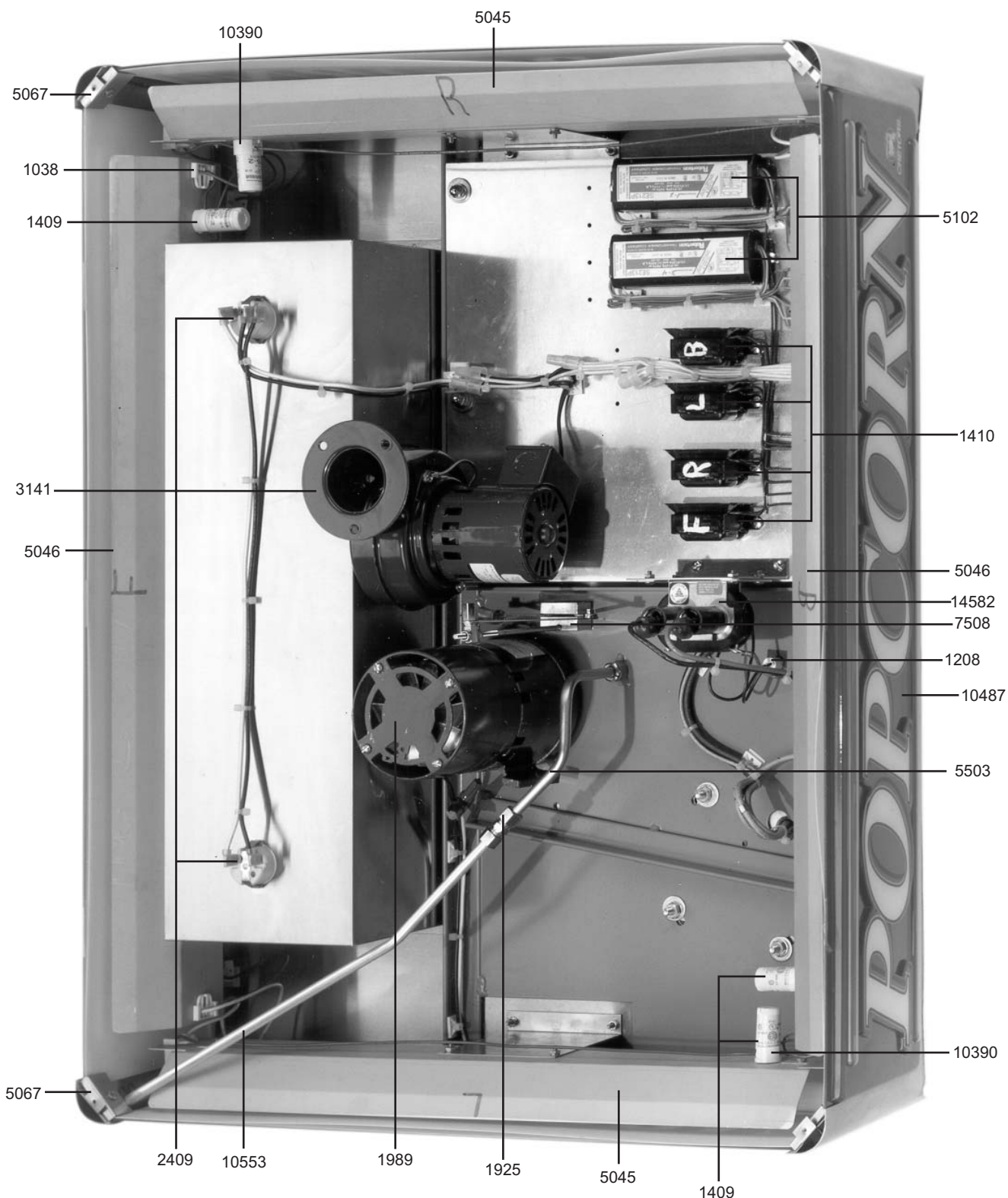
HDL20/32-A-3.1-B  
07/06

1066	SWITCH PUSH BUTTON	5120	PLEXI-LIGHT BAR PANEL (HDL)
1124	HANDLE (NOT SHOWN)	5130	SWITCH LIGHTED
1152	DOOR LAP STRIP	5138	CLEAN OUT DRAWER
1153	DROP SHELF	5139	POPPER CASE BOTTOM - PERF.
1217	MAGNETIC CATCH - RECTANGULAR	5305	TOP PANEL - DOMESTIC
1223	TUBING NALGENE - CLEAR (SOLD PER FOOT)	5305-E	TOP PANEL - EXPORT
1292	KNOB - CONCAVE W/ SCREW	5445	DECAL HEADLINER SWITCHPLATE
1406	PLUG 50 AMP 4-WIRE	5445-E	DECAL HEADLINER SWITCHPLATE-EX
1407	RECEPTACLE - 50AMP - 4 WIRE(NOT SHOWN)	5853	DRAWER SLIDE (PAIR)
1413	CORD -30AMP 10-4 (SOLD PER FOOT)	5856	CORN DRAWER SLIDE (EACH)
1517	NAMEPLATE - SERIAL NUMBER REQUIRED	5857	50# CORN DRAWER
1813	PLEXI DOOR - HEADLINER - NOT DRILLED	6012	DECAL-CAUTION-EMPTY DRAWER
1836	CASTER WITHOUT BRAKE	10487	SIGN - POPCORN - RED & YELLOW (LONG)
1836-L	CASTER W/ BRAKE	10488	SIGN - POPCORN - RED & YELLOW (SHORT)
2009-A	PUMP CORD & PLUG - 120V	10535	TOP PANEL PATCH
2009-E	PUMP CORD & PLUG - 230V	10632	SIGN BACKING FOR P/N 10487 (NOT SHOWN)
2746	DOOR HINGE - RIGHT	12310	BOX-GANG - 4x8-1\2
2747	DOOR HINGE STRAP ONLY	12311	FUSE - 15A (SPRING 2000)
2856	CORD - 32AMP,3X4.0MM	12388	CORN DRAWER SUPPORT-HEADLINER
3817	50# CORN DRAWER COVER	12719	DRAWER SLIDES-CORN DRAWER-PAIR
3830	SWITCH - PUSH BUTTON - 230V	51387	CLEAN OUT DRAWER
3937	DECAL - CORN 1st/ OID 2nd -SMALL		
3966	GROMMET 2-7\8" SLOT DIAMETER		
4261	CIRCUIT BREAKER - 120V/15A PUSH BUTTON - (OLD STYLE)		
4691	CORD - 25AMP,5X4.0MM (PER FEET)		
4780	DECAL - INSTRUCTION		
5010	FRONT INSIDE CORNER - HDL		
5019	DROP SHELF		
5110	PLEXI-1/8x2-1/2x20 (HDL)		

**HEADLINER CABINET 120V - TOP VIEW**  
BEGINNING SERIAL: 0606

DOC: HDL30006

HDL20/32-A-3.2-B  
07/06



C. CRETORS AND COMPANY  
176 MITTEL DRIVE, WOOD DALE, IL 60191  
PHONE: (847)616-6900, FAX: (847)616-6970  
WEB SITE: <http://www.cretors.com>

---

**HEADLINER CABINET 120V - TOP VIEW**

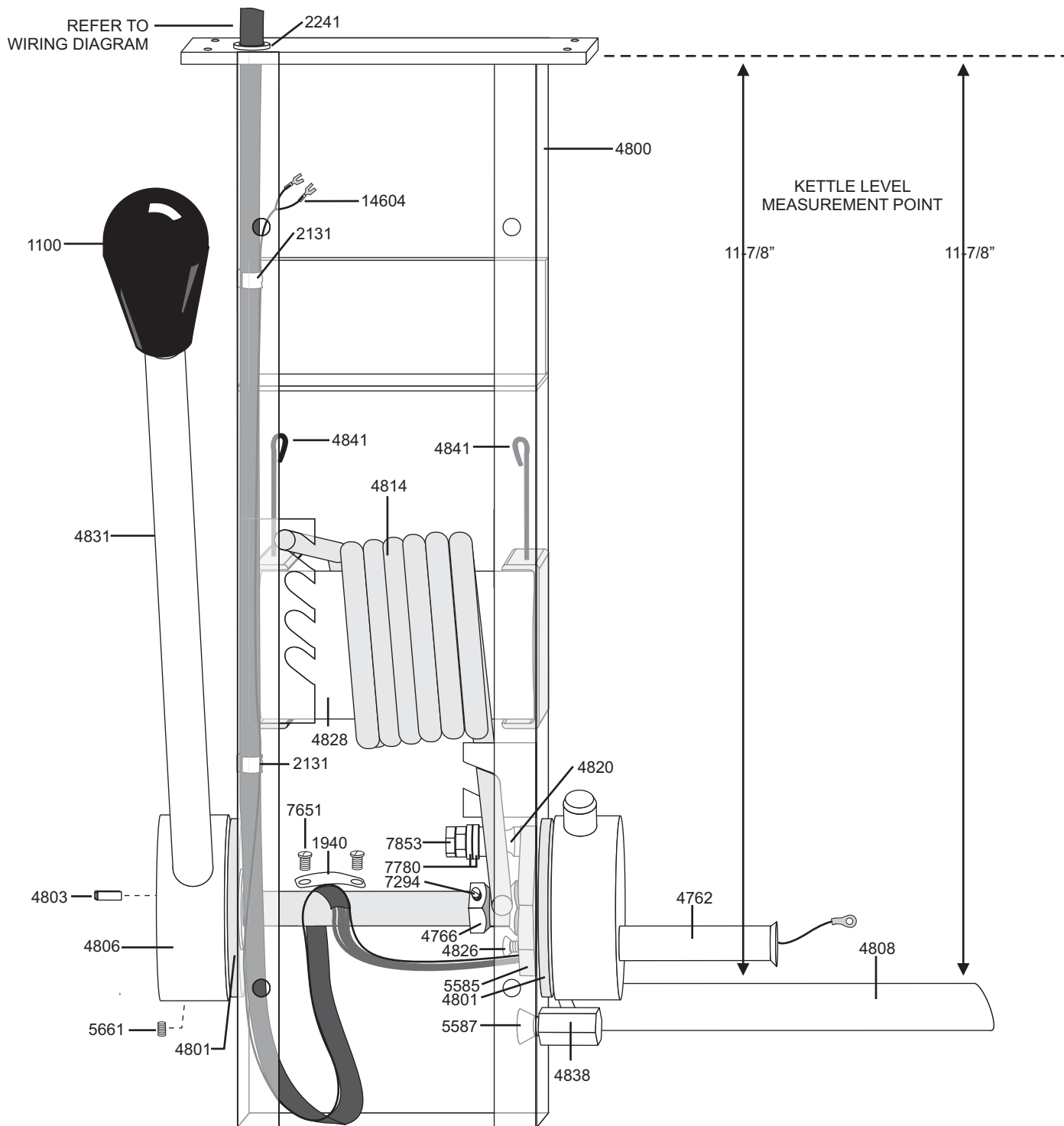
BEGINNING SERIAL: 0606

DOC: HDL30006

HDL20/32-A-3.2-B  
07/06

1208 INDICATOR LIGHT -230V  
1409 STARTER FLUORESCENT-FS-2  
1410 BALLAST-20 WATT  
1925 DISCHARGE TUBE COUPLING  
1989 MOTOR (1203-A-1)  
2409 SOCKET - SNAP-IN PORCELAIN  
3141 BLOWER 50/60Hz  
5045 REFLECTOR SIDE-HEADLINER  
5046 REFLECTOR FRONT/REAR - HEADLINER  
5067 SIGN - CLIP HEADLINER  
5102 BALLAST (F13T5 BULB)  
5503 TUBE OIL - DISCHARGE  
7508 AUTOMATIC COVER LIFT  
10387 SOCKET LAMP - FLUORESCENT  
10390 STARTER SOCKET-DI/HDL  
10487 SIGN - POPCORN RED & YELLOW -(LONG)  
10488 SIGN-POPCORN-RED & YELLOW(SHORT)  
10553 RISER TUBE - HEADLINER  
14582 RELAY-120V.-DOUBLE POLE





1100	KNOB
1940	WIRE CLAMP FOR DIPLOMAT
2131	PIPE CLAMP #125
2241	1/2" INSULINER SLEEVE
4762	WIRE GUIDE TUBE
4766	KETTLE LEVEL NUT
4800	SUPPORT COLUMN - SPRING DUMP
4801	BEARING - COLUMN SUPPORT
4803	KEY - DIPLOMAT SPRING DUMP
4806	HANDLE HUB
4807	SUPPORT COLUMN COVER PLATE (NOT SHOWN)
4808	ECCENTRIC - DIP SPRING RETURN
4814	RETURN SPRING
4820	ROLLER AND BEARING
4826	ARM BOLT 5/16-18 X 1
4828	SPRING HOLDER TUBE
4831	DUMP HANDLE - SPRING DUMP
4838	STOP BLOCK
4841	COTTER PIN 1/8 X 2
5382	WIRING HARNESS - DOMESTIC
5585	SPRING ADJUSTMENT ARM
5587	3/8-16 X 3/4 FH SOCKET CAP
5661	5/16-18 X 1/2 SET SCREW
5840	WIRING HARNESS - EXPORT400V
7294	10-32 X 3/16 SET SCREW, BRASS TIP
7651	10-24 X 1/2 B.H
7780	5/16 FLAT WASHER
7853	5/16-24 HEX NUT
14604	THERMOCOUPLE-RING TYPE-DIPLOMAT