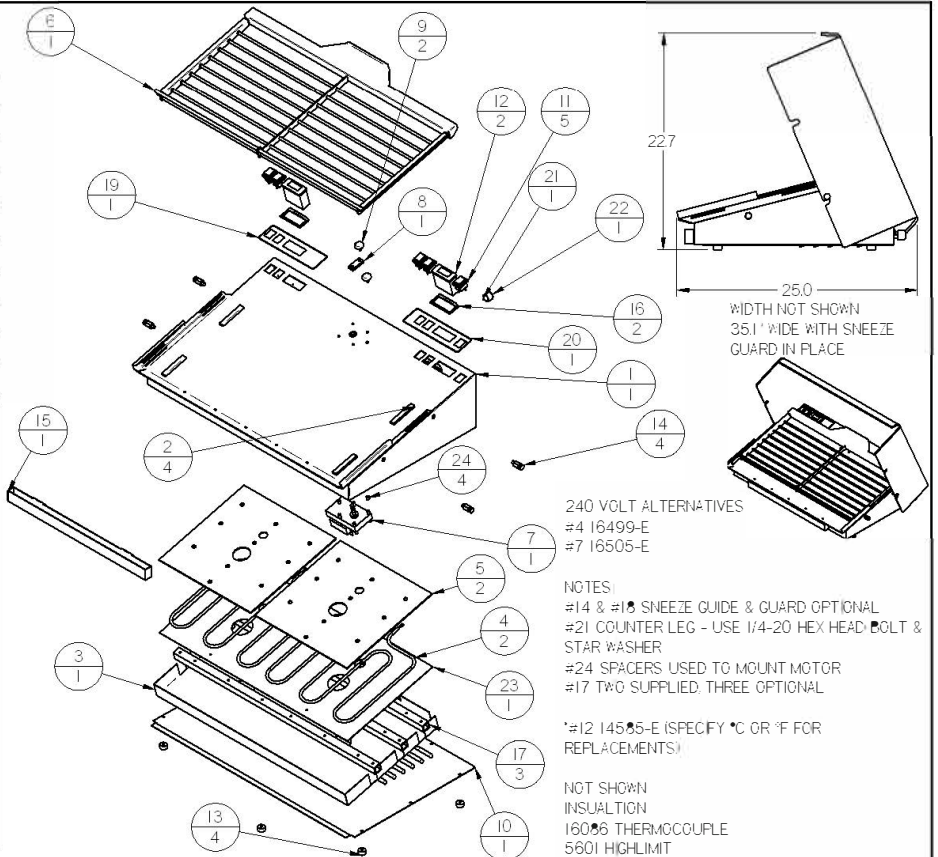


Item	Part Number	Title	Qty
1	16497	HOT DOG GRILL BODY - HDG36	1
2	16713	ROLLER FRAME GUIDE - HDG36	4
3	16501	INSULATION COVER - HDG36	1
4	16499	HEAT ELEMENT - 120V -HDG36	2
5	16498	DIFFUSER PLATE - HDG36	2
6	16496	ROLLER FRAME-HOT DOG GRILL-HDG36	1
7	16505	MOTOR (ROLLER) - 120V - HDG36	1
8	16533	ROLLER ARM - HDG36	1
9	14361	ROLLER-HOT DOG GRILL/DRAWER RUNNER	2
10	16500	BOTTOM COVER - HDG36	1
11	12588	SWITCH W/BOOT-LIGHTED-SPLASHPROOF	5
12*	14585	DIGITAL CONTROLLER-120V.	2
13	1605	RUBBER FOOT W/HARDWARE	4
14	14362	SNEEZE SCREEN GUIDE	4
15	16506	OIL CATCH - HDG36	1
16	14585-CG	CONTROL GUARD - HOT DOG GRILL	2
17	16563	SUPPORT BAR -HD36	3
18*	16502	SNEEZE GUARD - HDG36	1
19	16661	DECAL - HD36	1
20	16661	DECAL - HD36	1
21	1423	COUNTER LEG	1
22	1433	RUBBER TIPS	1
23	16503	ELEMENT PLATE - HDG36	1
24	1766	3/8 SPACER	4



240 VOLT ALTERNATIVES
 #4 16499-E
 #7 16505-E

NOTES
 #14 & #18 SNEEZE GUIDE & GUARD OPTIONAL
 #21 COUNTER LEG - USE 1/4-20 HEX HEAD BOLT & STAR WASHER
 #24 SPACERS USED TO MOUNT MOTOR
 #17 TWO SUPPLIED THREE OPTIONAL

*#12 14585-E (SPECIFY °C OR °F FOR REPLACEMENTS)
 NOT SHOWN
 INSULATION
 16086 THERMOCOUPLE
 5601 HIGHLIMIT

C. CRETORS & COMPANY 170 MITTEL DRIVE, WOOD DALE, IL 60191 T: 847/968-8888 FAX: 847/968-8878				TOLERANCES XXX = ±0.020 X XXX = ±0.010 FRACT. = ±1/16 SURFACE FINISH Z 25 ALL HOLES = .005 ±.002		NAME: HOT DOG GRILL - HDG36-120V (HDG36-A) HOT DOG GRILL - 110V (HDG36-240V) (HDG36-C)	
This drawing contains information proprietary to C. Cretors & Co. and is furnished in confidence for the sole purpose of supplying the recipient with needed engineering data. Its contents should not be disclosed or reproduced in any manner without the written consent of C. Cretors & Co. All Rights Reserved.				DRAWN BY: STSS DATE:		MATERIAL:	
REV DESCRIPTION OF REVISION BY DATE				ENVD: DATE: SCALE:		DWG. NO.: HDG36-A HDG36-E	
				APPROVED: DATE: REV: 2			

PARTS DIAGRAM HD24

HD243001
05/2019

- 1605 RUBBER FOOT
- 4708 SPACER 3/8"
- 5130 SWITCH, LIGHTED 230V
- 14334 OIL CATCH
- 14354 ROLLER ARM
- 14361 ROLLER
- 14362 SNEEZE SCREEN GUIDE
- 14363 ROLLER FRAME GUIDE
- 14378 ELEMENT 120V
- 14378-E ELEMENT 230V
- 14462 GRILL BODY
- 14463 ROLLER FRAME
- 14464 BOTTOM COVER
- 14465 DIFFUSER PLATE
- 14466 ELEMENT PLATE
- 14516 INSULATION COVER
- 14585 DIGITAL CONTROLLER 120V
- 14585-E DIGITAL CONTROLLER 230V
- 16068-TH MOTOR 120V
- 16068-TH-E MOTOR 230V
- 16086 THERMOCOUPLE (NOT SHOWN)
- 16090-R SNEEZE GUARD (NOT SHOWN-OPTIONAL)

