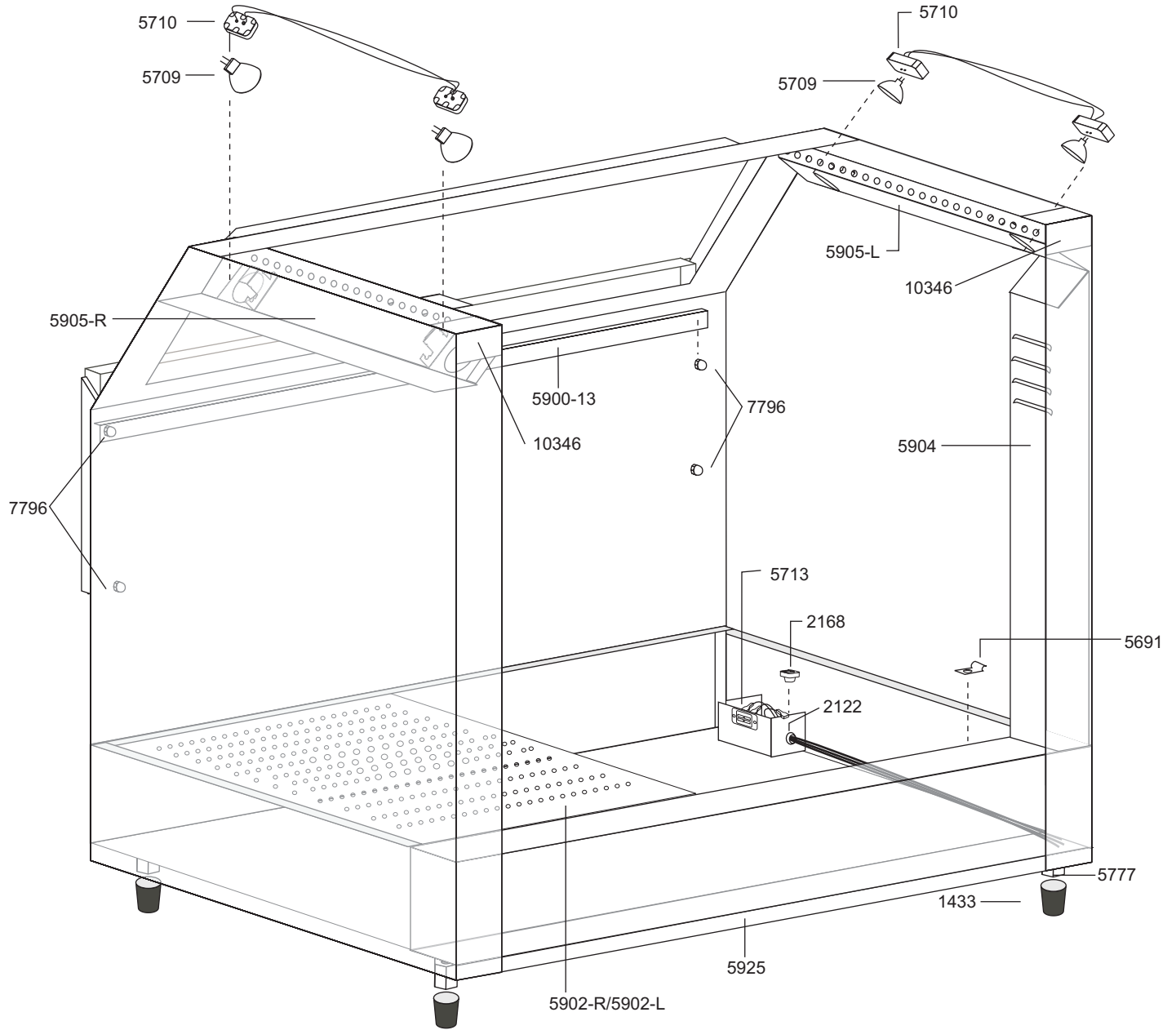


COUNTER SHOWCASE WARMER
230V/50 HZ - 20/36/48"
INSIDE BACK VIEW
BEGINNING SERIAL 98000000

DOC: CSW30005

CSW-E-3.1-B
03/06



COUNTER SHOWCASE WARMER
230V/50 HZ - 20/36/48"

DOC: CSW30005

CSW-E-3.1-B
03/06

INSIDE BACK VIEW

BEGINNING SERIAL 98000000

1433	RUBBER TIP	5904	AIR DUCT
2122	HEYCO BUSHING	5905-L	LIGHT COVER-LEFT
2168	CORD GRIP HEYCO	5905-R	LIGHT COVE-RIGHT
5691	CLAMP	5925	FRONT BOTTOM TRIM
5709	LAMP-HALOGEN	7796	10-24 CAP NUT
5710	SOCKET-HALOGEN	10346	GLASS HOLDER
5713	RECEPTACLE-4 PIN		
5777	LEG		
5900-13	MIRROR CHANNEL 36" (91.44cm)		
5902-R	POPPER CASE BOTTOM-R W/ HOLES 36" (91.44cm)		

OPTIONS

5715	GLASS (35-3/4 x 17-5/16 x 1/4) / (90.81cm x 43.97cm x 0.64cm) CRETORS SHOWCASE WARMER-36" TOP
5716	GLASS (35-3/4 x 20-5/16 x 1/4) / (90.81cm x 51.59cm x 0.64cm) CRETORS SHOWCASE WARMER-36" FRONT
5833-L	GLASS-MIRRORED SIDE-LEFT
5833-R	GLASS-MIRRORED SIDE-RIGHT
5834	GLASS MIRRORED DOOR SIDE OCTAGON
5748	GLASS (19-3/4 x 17-5/16 x 1/4) / (50.17cm x 43.97CM x 0.64cm) CRETORS SHOWCASE WARMER-20" TOP
5749	GLASS (19-3/4 x 20 5/16 x 1/4) / (50.17cm x 51.59cm x 0.64cm) CRETORS SHOWCASE WARMER-20" FRONT
12404	GLASS (47-13/16 x 17-5/16) / (121.45cm x 43.98cm) CRETORS SHOWCASE WARMER-48" TOP
12405	GLASS (47-3/16 x 20-11/32) / (119.89cm x 51.67cm) CRETORS SHOWCASE WARMER-48" FRONT

NOT SHOWN

3715	GLASS CHANNEL-SS. SOLD PER FOOT
5902-L	POPPER CASE BOTTOM-LEFT 36" (91.44cm)
5911-L	POPPER CASE BOTTOM-LEFT-MIRRORED 36" (91.44cm)
5911-R	POPPER CASE BOTTOM-RIGHT-MIRRORED 36" (91.44cm)
10320	GLASS CHANNEL

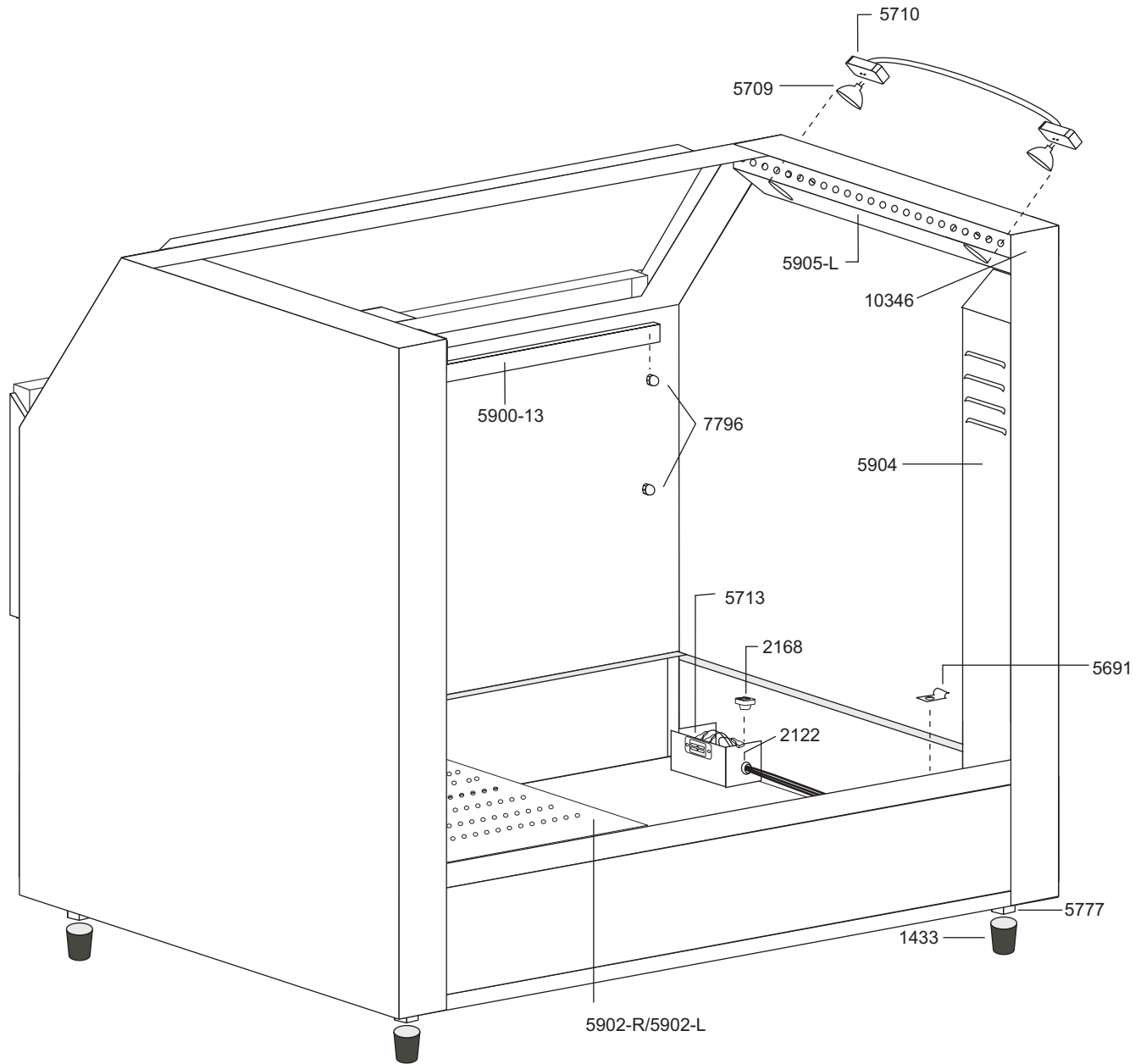
C. CRETORS AND COMPANY
176 MITTEL DRIVE
WOOD DALE, IL 60191

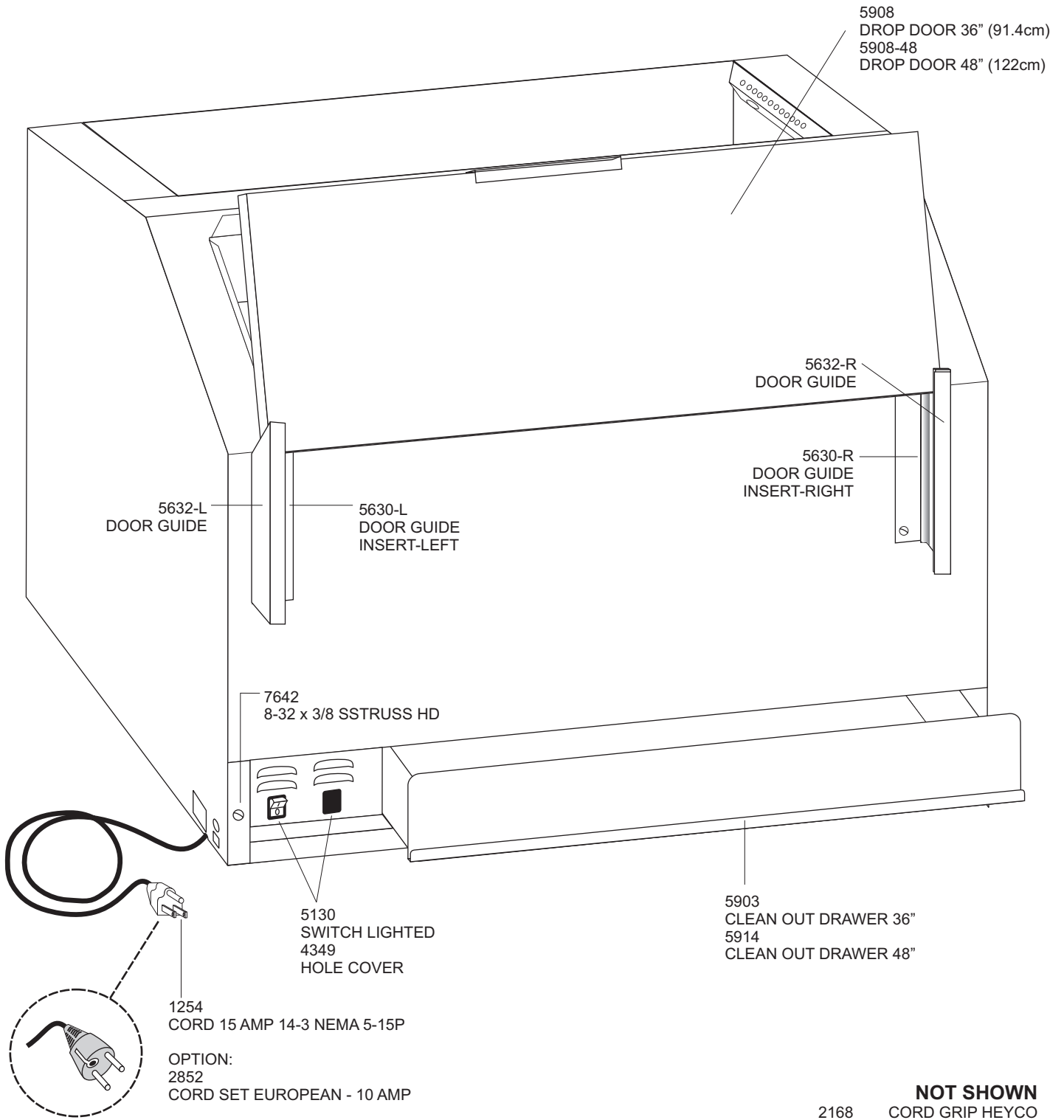
PHONE: (773)588-1690, (800)228-1885, FAX: (847) 616-6970
WEB SITE: <http://www.cretors.com> Email: postmaster@cretors.com

COUNTER SHOWCASE WARMER
230V/50 HZ - 20/36/48"
INSIDE BACK VIEW
BEGINNING SERIAL 98000000

DOC: CSW30005

CSW-E-3.1-B
03/06





COUNTER SHOWCASE WARMER - 120V - HEATER BOX

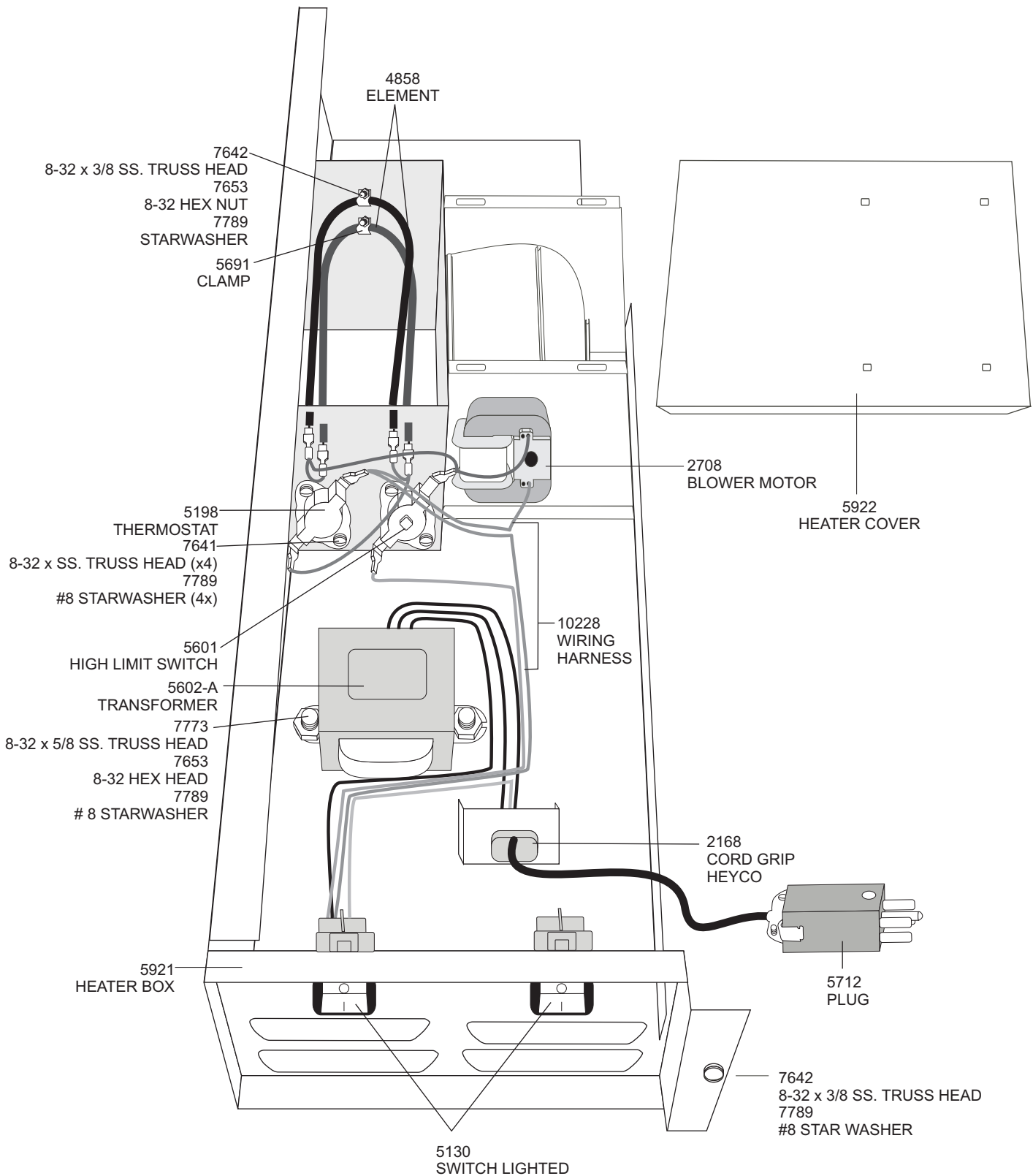
DOC: CSW40001

CSW-A-4.0-A

UPSIDE DOWN VIEW

03/06

BEGINNING SERIAL NUMBER 01037572



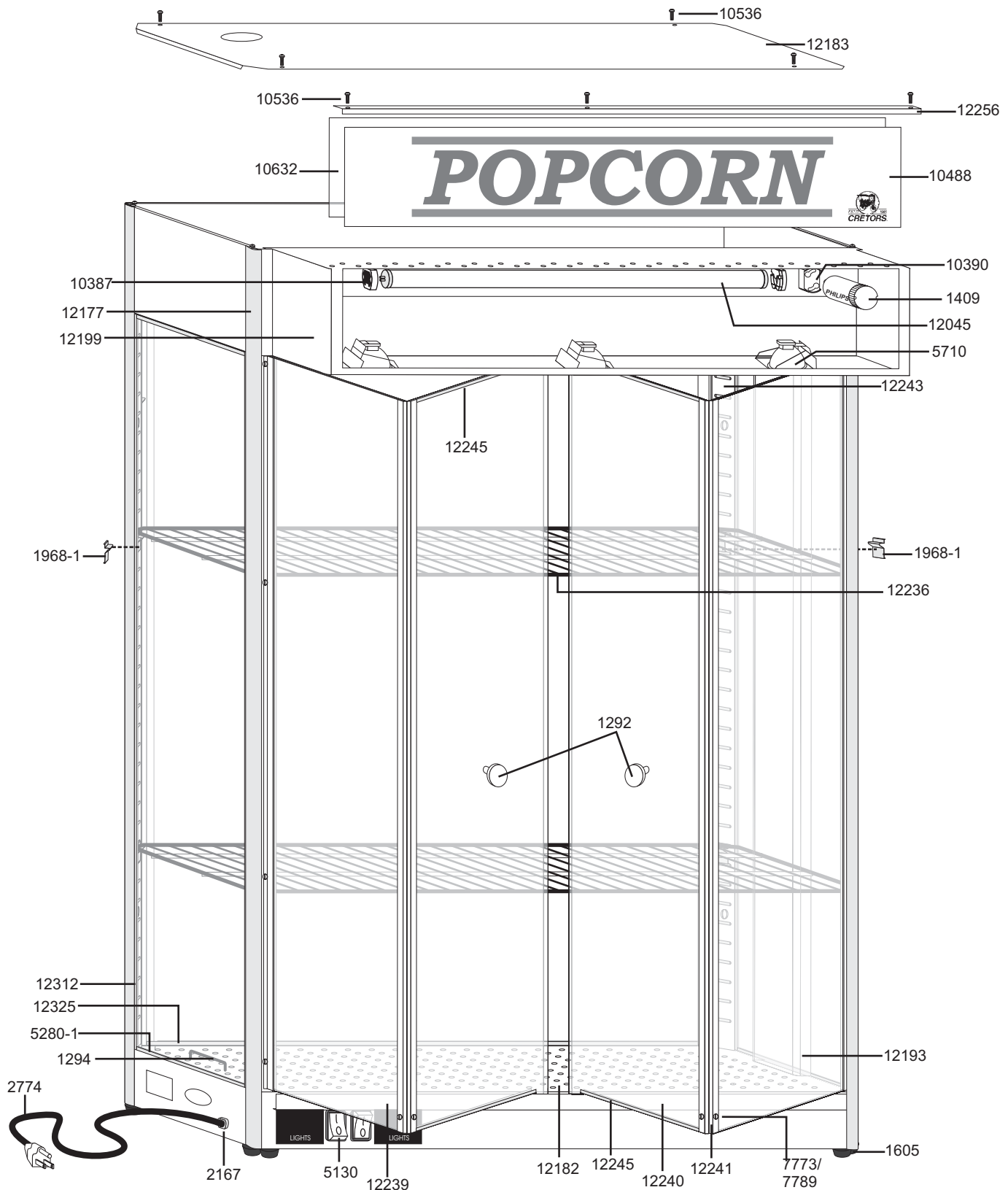
C. CRETORS AND COMPANY

176 MITTEL DRIVE

WOOD DALE, IL 60191

PHONE: (773)588-1690, (800)228-1885, FAX: (847) 616-6970

WEB SITE: <http://www.cretors.com> Email: postmaster@cretors.com



MODULAR SHOWCASE WARMER -120V

DOC: MSW30001

MSW-A-3.0-A

BEGINNING SERIAL 00042115

1292 KNOB - CONCAVE W/ SCREW
1294 HANDLE-LIFT
1409 STARTER - FLUORESCENT-FS-2
1605 RUBBER FOOT W/ HARDWARE
1968-1 CLIP-PILASTER SHELF
2167 CORD GRIP HEYCO
2774 CORD-20AMP, 12-3, NEMA 5-15P
5130 SWITCH-LIGHTED-230V
5280-1 SS CHANNEL-16-1/8"
5710 SOCKET-HALOGEN
7773 8-32 x 5/8 SS TRUSS HEAD
7789 # 8 STAR LOCKWASHER
10387 SOCKET-LAMP-DI/HDL 230/50HZ
10390 SOCKET - DI/HDL - 230/50 HZ - CE MARK
10488 SIGN-POPCORN-RED & YELLOW
10536 #6 x 3/8 PHIL TRUSS
10632 SIGN BACKING
12045 LAMP-FLUORESCENT-F26"T8CW4
12177 EXTRUSION-48"-WARMER CORNER
12182 POPPER CASE BOTTOM-WARMER
12183 CABINET TOP COVER-WARMER
12193 AIRDUCT
12199 LIGHT BOX COUNTER WARMER
12236 RACK- WIRE
12241 HINGE - PVC LIVING-WARMER
12243 PILASTER TRACK
12245 SS CHANNEL-5.25" LONG
12256 TOP SIGN BRACKET - MOD. WARMER
12312 CHANNEL-GLASS "U"
12325 SS CHANNEL 26-1/8"

DOOR OPTIONS

12255 DOOR SET - BIFOLD
12239 PLEXI - BI-FOLD - END
12240 PLEXI - BI-FOLD - CENTER
12366 WINGED DOORS

NOT SHOWN

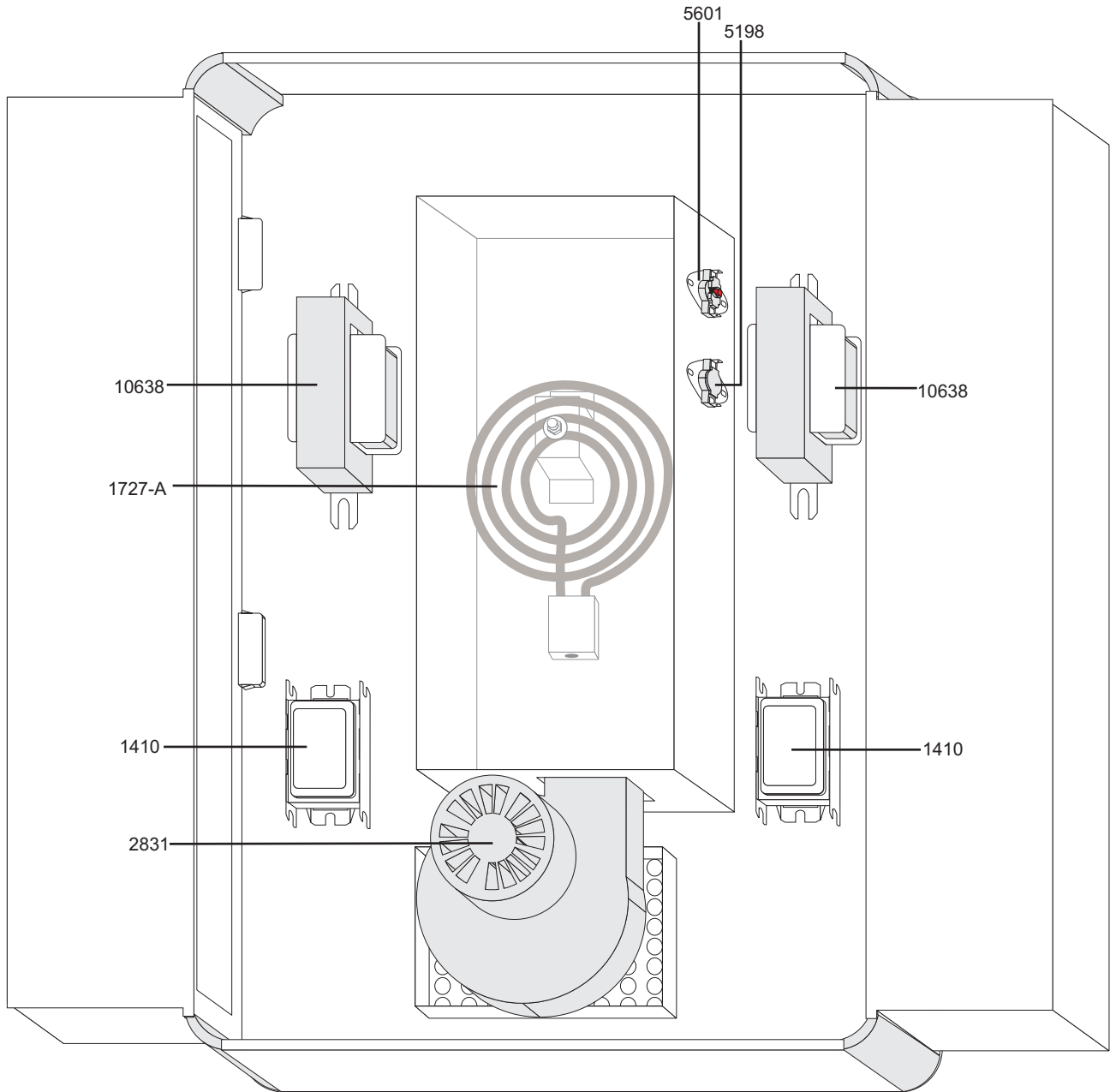
10252 HALOGEN LAMP

MODULAR SHOWCASE WARMER - 120V

TOP INSIDE VIEW SHOWN
WITH OPTIONAL DUAL LIGHTING
BEGINNING SERIAL 00042115

DOC: MSW3002

MSW-A-3.1-A
7/2000



MODULAR SHOWCASE WARMER - 120V

TOP INSIDE VIEW SHOWN
WITH OPTIONAL DUAL LIGHTING
BEGINNING SERIAL 00042115

DOC: MSW3002

MSW-A-3.1-A
7/2000

1410 BALLAST 20 WATT
1727-A ELEMENT 1250 WATT, 120V
2831 BLOWER (4C447)
5198 THERMOSTAT DEG 160 DEG F
5601 HIGH LIMIT
10638 TRANSFORMER 200 W, 120V, 12V, 50/6