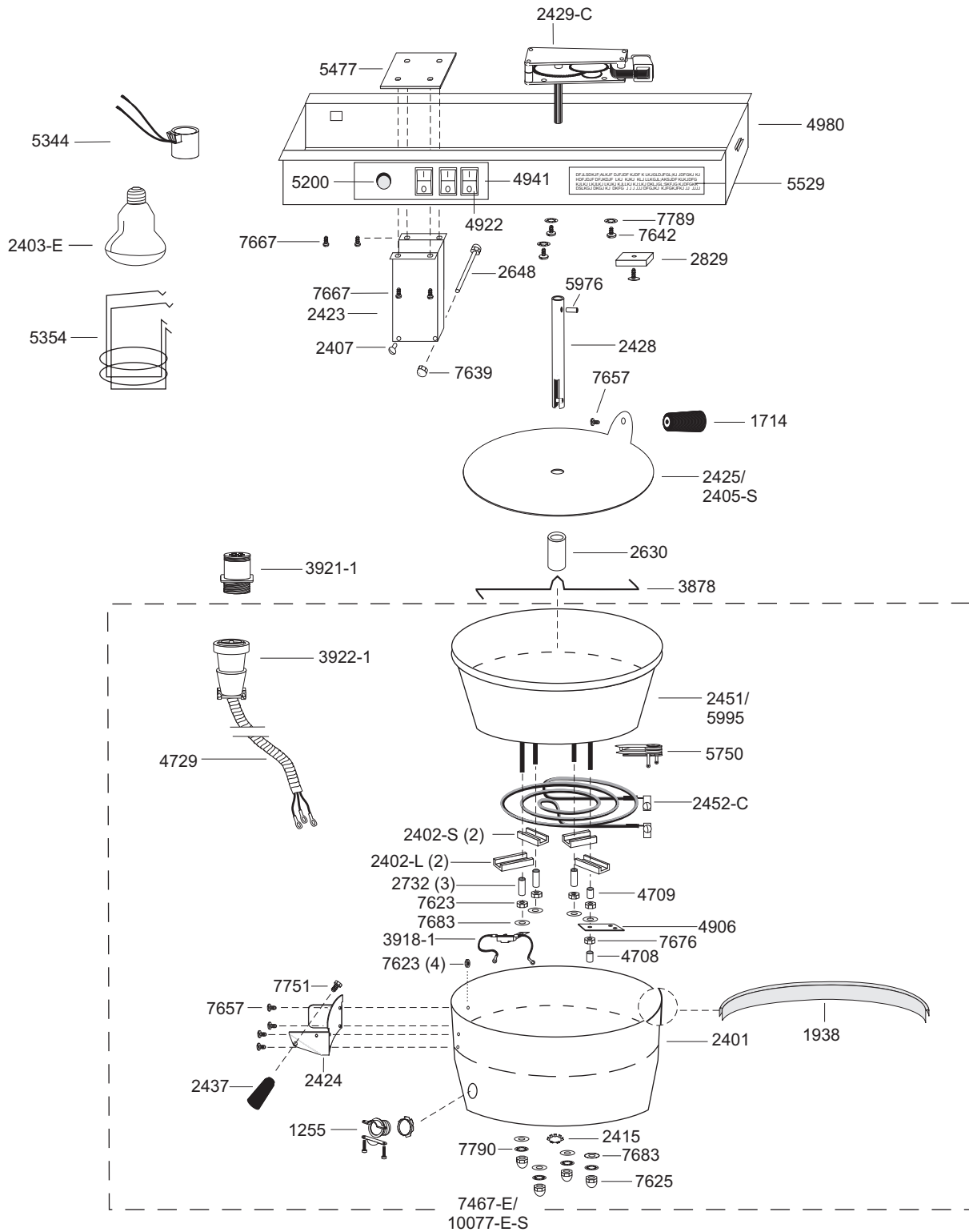
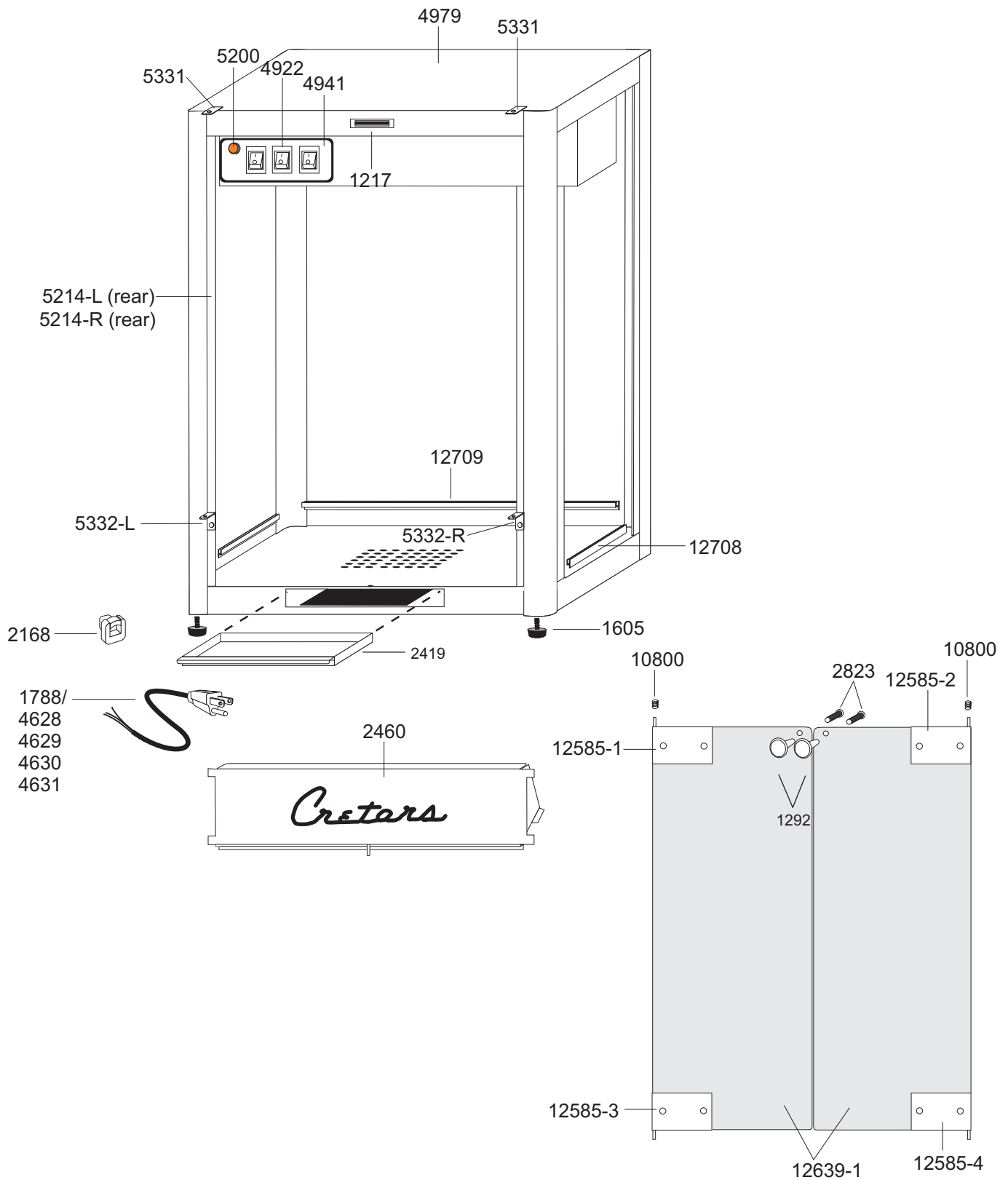


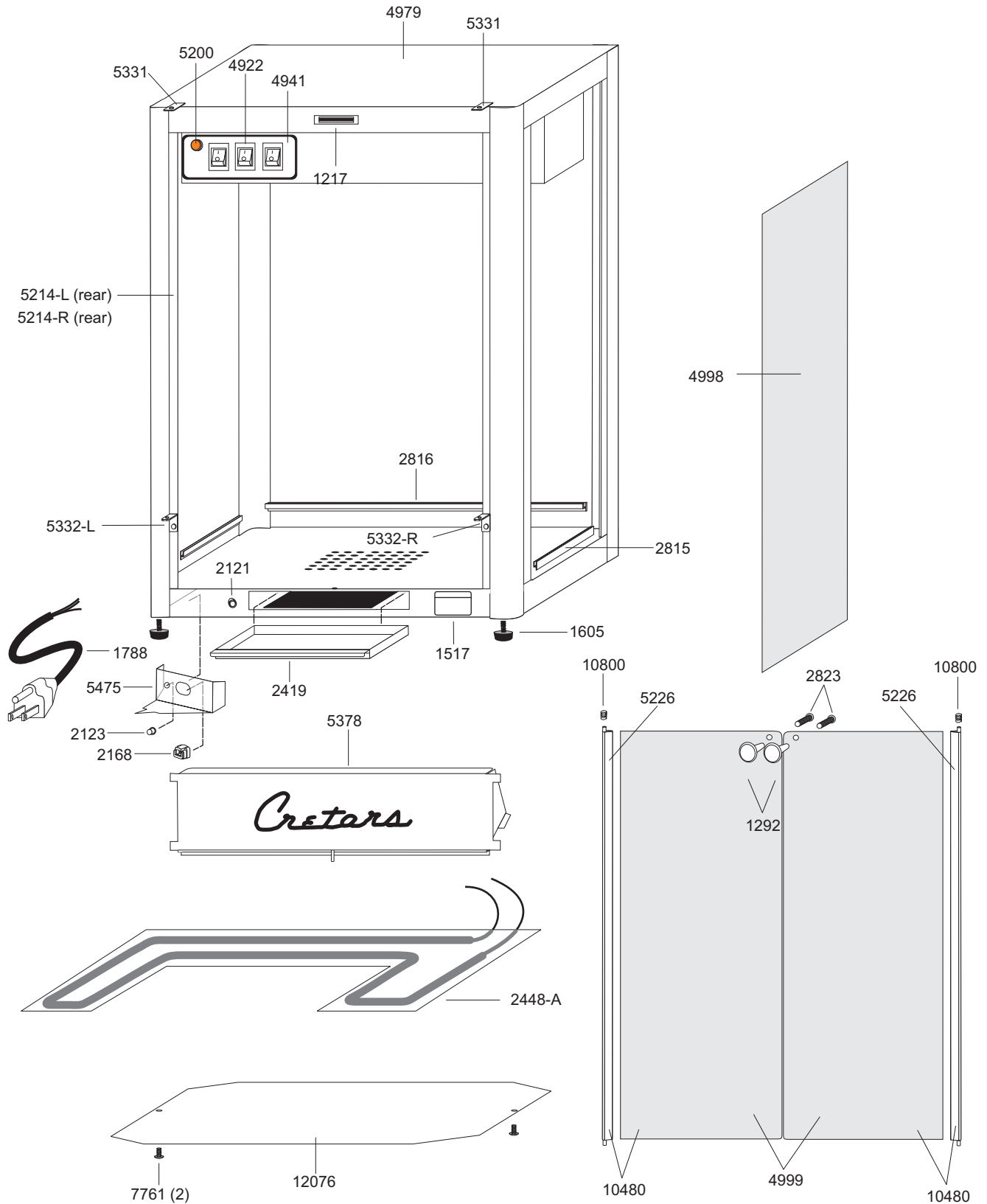
1255	3/8" CONNECTOR	7596-A	KETTLE ASSEMBLY 120V
1714	KNOB	7596-A-S	KETTLE ASSY 120V-SUGAR PAN
1938	RETAINER GASKET	7623	10-32 HEX NUT
2401	RETAINER	7625	10-32 HIGH CROWN CAP NUT
2402-S	ELEMENT CLAMP-2	7639	1/4-20 CAP NUT
2402-L	ELEMENT CLAMP-2	7643	10-32 x 1/2 BINDING HEAD
2403	LAMP - 75 WATT	7657	10-32 x 3/8 BINDING HEAD
2404	FLEXIBLE CONDUIT WITH WIRES	7667	12-24 x 1/2 FILLISTER HEAD
2405	THERMOSTAT	7681	12-24 STOP NUT
2405-S	THERMOSTAT-SUGAR	7683	3/16" FLAT WASHER
2407	POPPER LEVEL SCREW	7747	10-320x 1/8 SET SCREW
2415	HOLE COVER - 1/4"	7751	3/8-16 x 1/2 HEX BOLT
2423	SUPPORT HANGER	7759	10-32 x 1/4 BINDING HEAD
2424	BRACKET - HINGE	7790	#10 STAR LOCK WASHER
2425	POPPER PAN COVER		
2428	STIRRER SHAFT W/ SET SCREW		
2429-A	AGITATOR MOTOR		
2435	PLUG		
2436	RECEPTACLE		
2437	DUMP LEVER KNOB		
2451	PAN - GOLDRUSH		
2452-A	1000 WATT, 120 VOLT ELEMENT		
2630	STIRRER SHAFT WEIGHT		
2648	HINGE PIN		
2732	KETTLE SPACER		
2829	MAGNET W/SCREW		
3878	STIRRER BLADE-HOOKED		
4922	SWITCH - SMALL ROCKER		
4941	DECAL-SWITCHPLATE		
4980	MOTOR BOX		
5200	INDICATOR LIGHT		
5344	SNAP-IN PORCELAIN SOCKET		
5345	LAMP GUARD		
5477	HANGER PLATE		
5529	DECAL - INSTRUCTIONS		
5995	PAN-HEAVY BOTTOM - TUV/CE		



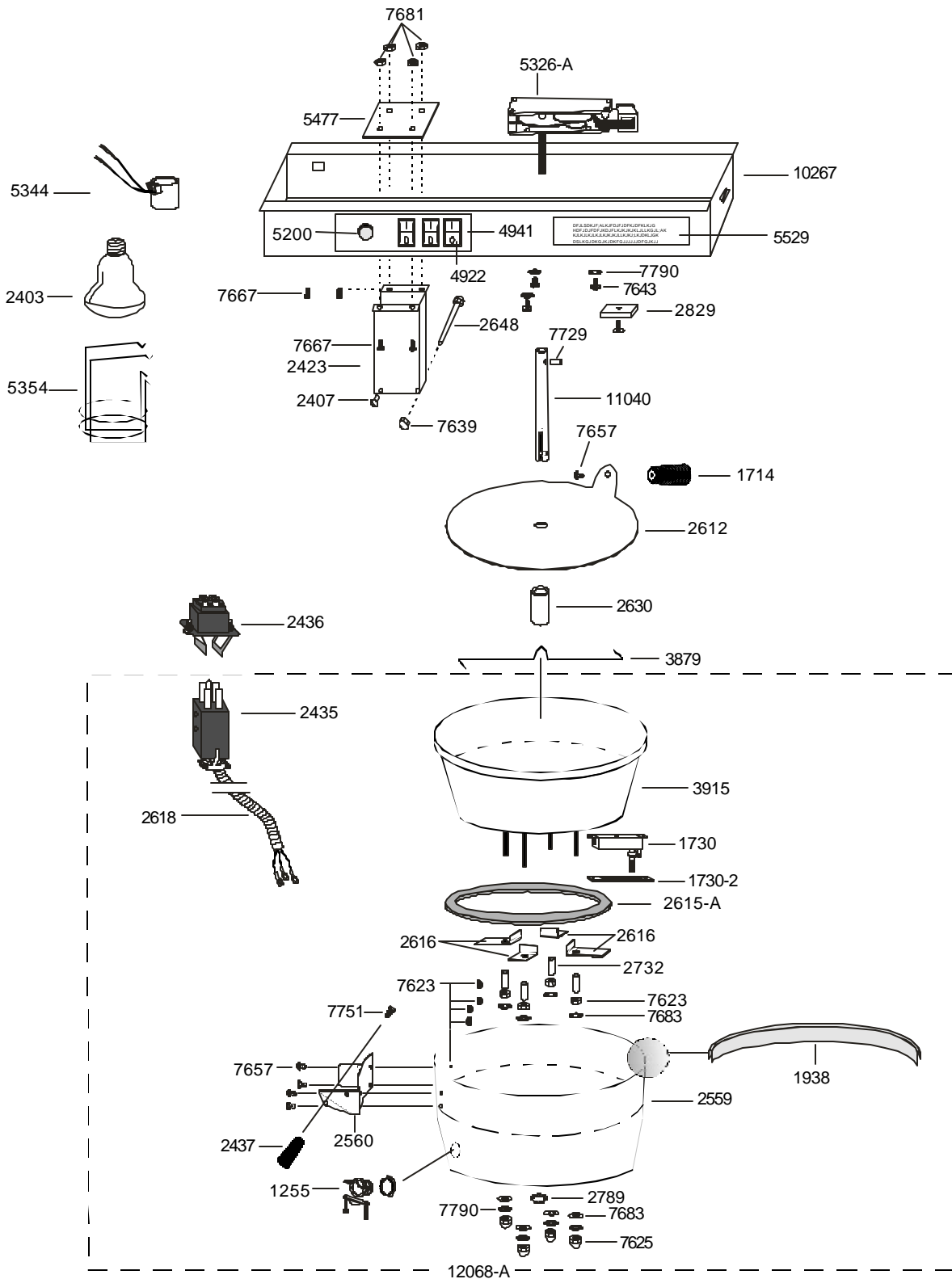
1255	3/8" CONNECTOR	7467-E	KETTLE ASSY 230 VOLT TUV
1714	KNOB	7623	10-32 HEX NUT (8)
1938	RETAINER GASKET (PER FOOT)	7625	10-32 HIGH CROWN CAP NUT (4)
2401	RETAINER	7639	1/4-20 CAP NUT
2402-S	ELEMENT CLAMP (2)	7642	8-32 x 3/8 SS TRUSS HEAD (3)
2402-L	ELEMENT CLAMP (2)	7657	10-32 x 3/8 BINDING HEAD (5)
2403-E	LAMP - 75 WATT 220V	7667	12-24 x 1/2 FILLISTER HEAD (4)
2404	FLEXIBLE CONDUIT WITH WIRES	7681	12-24 STOP NUT (4)
2407	POPPER LEVEL SCREW	7683	3/16" FLAT WASHER (8)
2415	HOLE COVER - 1/4"	7751	3/8-16 x 1/2 HEX BOLT
2423	SUPPORT HANGER	7759	10-32 x 1/4 BINDING HEAD
2424	BRACKET - HINGE	7789	# 8 STAR LOCKWASHER (3)
2425	POPPER PAN COVER	7790	#10 STAR LOCK WASHER (4)
2428	STIRRER SHAFT W/ SET SCREW	10077-E-S	KETTLE ASSY.
2429-C	AGITATOR MOTOR 220 VOLT		
2437	DUMP LEVER KNOB		
2451	PAN - GOLDRUSH		
2452-C	1000 WATT, 230 VOLT ELEMENT		
2630	STIRRER SHAFT WEIGHT		
2648	HINGE PIN		
2732	KETTLE SPACER (3)		
2829	MAGNET W/SCREW		
3878	STIRRER BLADE - HOOKED		
3918-1	HIGH LIMIT - ONLY		
3921-1	RECEPTACLE ONLY		
3922-1	PLUG ONLY		
4729	KETTLE WIRE (Complete)		
4922	SWITCH - SMALL ROCKER		
4941	DECAL-SWITCHPLATE		
4980	MOTOR BOX		
5200	INDICATOR LIGHT		
5344	SNAP-IN PORCELAIN SOCKET		
5345	LAMP GUARD		
5477	HANGER PLATE		
5529	DECAL - INSTRUCTIONS		
5750	THERMOSTAT (SUGAR)		
5976	6-32 x 3/8 SLOTTED SET SCREW		
5995	PAN-HEAVY BOTTOM - TUV/CE		



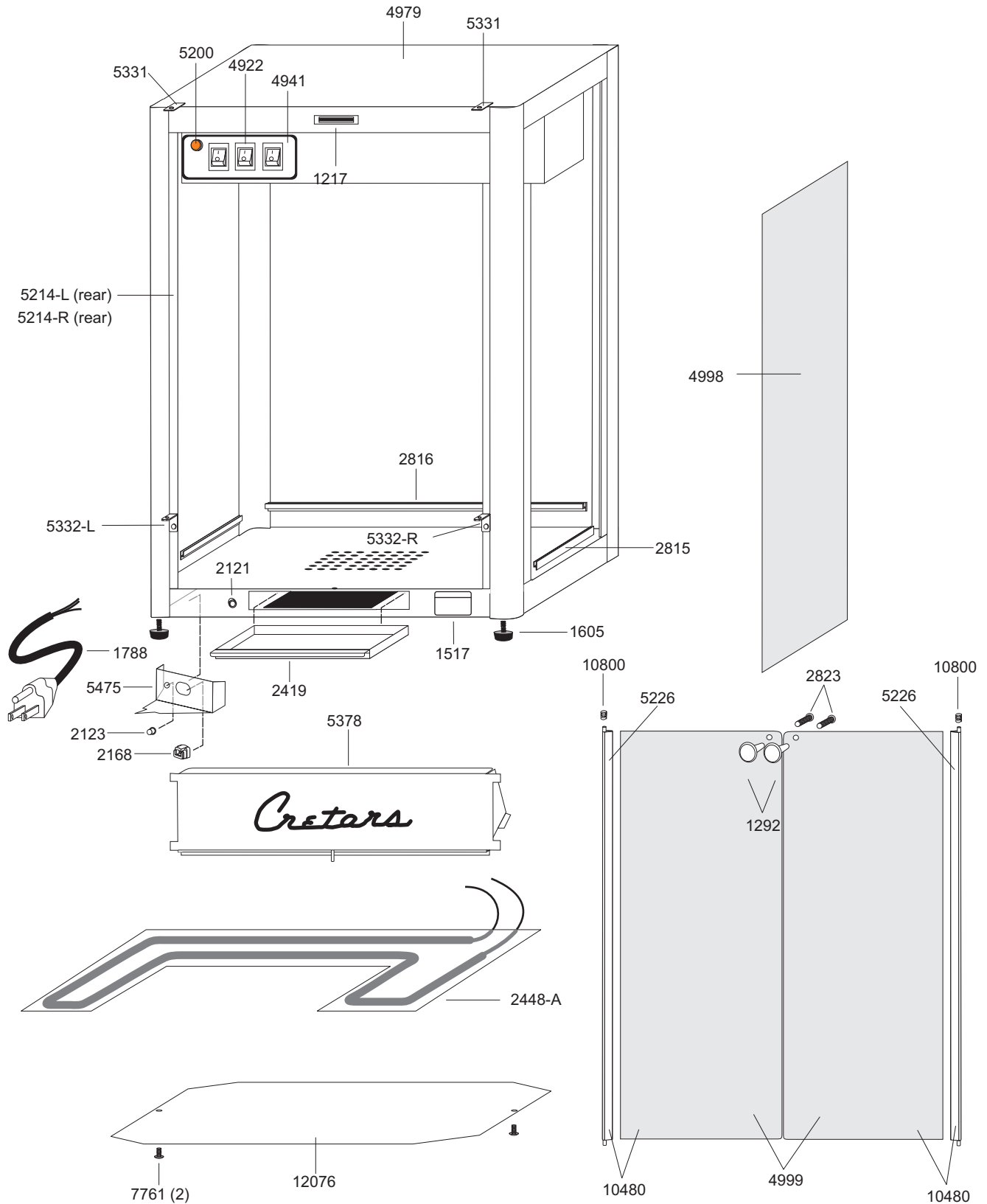
1217	MAGNETIC CATCH-RETANGULAR	12585-2	HINGE TOP RIGHT
1292	CONCAVE KNOB	12585-3	HINGE BOTTOM LEFT
1605	RUBBER FOOT	12585-4	HINGE BOTTOM RIGHT
1788	POWER CORD - 120V & 100V	10800	SPRING
2168	CORD GRIP	12590	DECAL - POPCORN - NUGGET
2419	CLEAN OUT DRAWER		
2823	DOOR KNOB SCREW		
12708	GLASS CHANNEL 11 3/16"		
12709	GLASS CHANNEL 17 3/16"		
4628	POWER CORD, 10 AMP-EUROPEAN		
4629	POWER CORD, 10 A-AUSTRALIA, NZ		
4630	POWER CORD,10 AMP-ENGLISH		
4631	POWER CORD, 10 A-INT'L - NO PLUG		
4922	SWITCH - SMALL ROCKER		
4941	SWITCHPLATE DECAL		
4979	TOP - NUGGET		
4981	POPPER CASE BOTTOM		
5200	INDICATOR LIGHT		
5214	EXTRUSION - NUGGET CORNER		
5214-L	EXTRUSION - CORNER-REAR-LEFT		
5214-R	EXTRUSION - CORNER-REAR-RIGHT		
5226	EXTRUSION - DOOR HINGE PINNED		
5331	HINGE TAB - TOP		
5332-R	HINGE TAB - RIGHT		
5332-L	HINGE TAB - LEFT		
2460	DROP SHELF		
12639-1	PLEXI DOORS (23.125 x 9.250)		
12585-1	HINGE TOP LEFT		



1217	MAGNETIC CATCH-RETANGULAR	5214-R	EXTRUSION - CORNER-REAR-RIGHT
1292	CONCAVE KNOB	5226	EXTRUSION - DOOR HINGE PINNED
1517	NAMEPLATE SERIAL NO. -100V	5331	HINGE TAB - TOP
1605	RUBBER FOOT	5332-R	HINGE TAB - RIGHT
1788	POWER CORD - 120V & 100V	5332-L	HINGE TAB - LEFT
2121	BUSHING - HEYCO	5378	DROP SHELF
2123	BUSHING - HEYCO	5475	WIRE BOX COVER
2168	CORD GRIP - HEYCO	7761	#6 x 1/4 SLTD TYPE A (2)
2419	CLEAN OUT DRAWER	10276	BOTTOM COVER
2422	INSIDE CORNER - FRONT	10480	PLEXI DOORS - NUGGET ASSEMBLED
2448-A	HEAT PAD - 120V	10800	SPRING
2580	DROP SHELF STOP		
2815	GLASS CHANNEL EXTRUSION 11-3/16"		
2816	GLASS CHANNEL EXTRUSION 17-3/16"		
2823	DOOR KNOB SCREW		
3855	SS CHANNEL - FRONT		
3856	SS CHANNEL - SIDE		
4628	POWER CORD, 10 AMP-EUROPEAN		
4629	POWER CORD, 10 A-AUSTRALIA, NZ		
4630	POWER CORD,10 AMP-ENGLISH		
4631	POWER CORD, 10 A-INT'L - NO PLUG		
4922	SWITCH - SMALL ROCKER		
4941	SWITCHPLATE DECAL		
4979	TOP - NUGGET		
4981	POPPER CASE BOTTOM		
4997	PLEXIGLASS FRONT		
4998	PLEXIGLASS SIDE		
4999	PLEXIGLASS DOOR		
5200	INDICATOR LIGHT		
5214	EXTRUSION - NUGGET CORNER		
5214-L	EXTRUSION - CORNER-REAR-LEFT		



1255	3/8"CONNECTOR	7643	10-32x1/2BINDINGHEAD
1714	KNOB	7657	10-32x3/8BINDINGHEAD
1730	THERMOSTAT	7667	12-24x1/2FILLISTERHEAD
1730-2	THERMOSTAT RETAINER	7681	12-24STOPNUT
1938	RETAINERGASKETPERFT	7683	3/16"FLAT WASHER
2403	LAMP-75WATT	7729	1/8 x1/2ROLLPIN
2407	POPPER LEVELSCREW	7751	3/8-16x1/2HEX BOLT
2423	SUPPORTHANGER	7759	10-32x1/4BINDINGHEAD
2560	BRACKET-HINGE	7790	#10 STARLOCKWASHER
2435	PLUG	11040	STIRRER SHAFT
2436	RECEPTACLE	12067	MOTORBOX
2437	DUMPLEVERKNOB	12068	KETTLEASSEMBLY120V
2559	RETAINER		
2612	POPPER PANCOVER		
2615-A	1000WATT, 120 VOLT ELEMENT		
2616	ELEMENTCLAMP-SET		
2618	KETTLE WIRESET		
2630	STIRRER SHAFTWEIGHT		
2648	HINGEPIN		
2732	KETTLE SPACER		
2789	HOLECOVER- 1/4"		
2829	MAGNET W/SCREW		
3879	STIRRER BLADE-HOOKED		
3915	POPPER PAN		
4922	SWITCH - SMALLROCKER		
4941	DECAL-SWITCHPLATE		
5200	INDICATORLIGHT		
5326-A	AGITATORMOTOR		
5344	SNAP-IN PORCELAIN SOCKET		
5345	LAMPGUARD		
5477	HANGER PLATE		
5529	DECAL- INSTRUCTIONS		
7623	10-32HEXNUT		
7625	10-32HIGHCROWNCAPNUT		
7639	1/4-20CAPNUT		



1217	MAGNETIC CATCH-RETANGULAR	5214-R	EXTRUSION - CORNER-REAR-RIGHT
1292	CONCAVE KNOB	5226	EXTRUSION - DOOR HINGE PINNED
1517	NAMEPLATE SERIAL NO. -100V	5331	HINGE TAB - TOP
1605	RUBBER FOOT	5332-R	HINGE TAB - RIGHT
1788	POWER CORD - 120V & 100V	5332-L	HINGE TAB - LEFT
2121	BUSHING - HEYCO	5378	DROP SHELF
2123	BUSHING - HEYCO	5475	WIRE BOX COVER
2168	CORD GRIP - HEYCO	7761	#6 x 1/4 SLTD TYPE A (2)
2419	CLEAN OUT DRAWER	10276	BOTTOM COVER
2422	INSIDE CORNER - FRONT	10480	PLEXI DOORS - NUGGET ASSEMBLED
2448-A	HEAT PAD - 120V	10800	SPRING
2580	DROP SHELF STOP		
2815	GLASS CHANNEL EXTRUSION 11-3/16"		
2816	GLASS CHANNEL EXTRUSION 17-3/16"		
2823	DOOR KNOB SCREW		
3855	SS CHANNEL - FRONT		
3856	SS CHANNEL - SIDE		
4628	POWER CORD, 10 AMP-EUROPEAN		
4629	POWER CORD, 10 A-AUSTRALIA, NZ		
4630	POWER CORD,10 AMP-ENGLISH		
4631	POWER CORD, 10 A-INT'L - NO PLUG		
4922	SWITCH - SMALL ROCKER		
4941	SWITCHPLATE DECAL		
4979	TOP - NUGGET		
4981	POPPER CASE BOTTOM		
4997	PLEXIGLASS FRONT		
4998	PLEXIGLASS SIDE		
4999	PLEXIGLASS DOOR		
5200	INDICATOR LIGHT		
5214	EXTRUSION - NUGGET CORNER		
5214-L	EXTRUSION - CORNER-REAR-LEFT		