

ENCLOSED PRESIDENT FRONT VIEW

BEGINNING SERIAL: 99064793

DOC: EPR30002

EPR20/32-A/E-3.0-A
01/2000

1045 SIGN-EMBLEM-PRESIDENT
1176 CORNER BASE TRIM FRONT
1294 HANDLE-LIFT
1301 PERF CORN SCREEN W/ HANDLES
1361 EXTRUSION-PRESIDENT BOTTOM
1370 INSIDE CORNER (REAR)
1514 NAMEPLATE 'CRETORS'
1836 CASTER - WITHOUT BRAKE
1836-L CASTER W/ BRAKE
1936 FRONT BASE PANEL
2532 LAMP COVER
3780 CENTER GLASS HOLDER
3781 EXTRUSION-EPR-CORNER-NEW STYLE
3783 POPPER CASE BOTTOM
4610 EXTRUSION
4652 EXHAUST EXTENSION - SSTS
4765 TOP PANEL-EPR5/SSTS
5330 CORN GUARD 5' DIPLOMAT
10307 BASE PANEL - RT & CORNER
10458 TOP SHELL - W/ HOLES-24" WIDE
10461 TOP SHELL BLANK

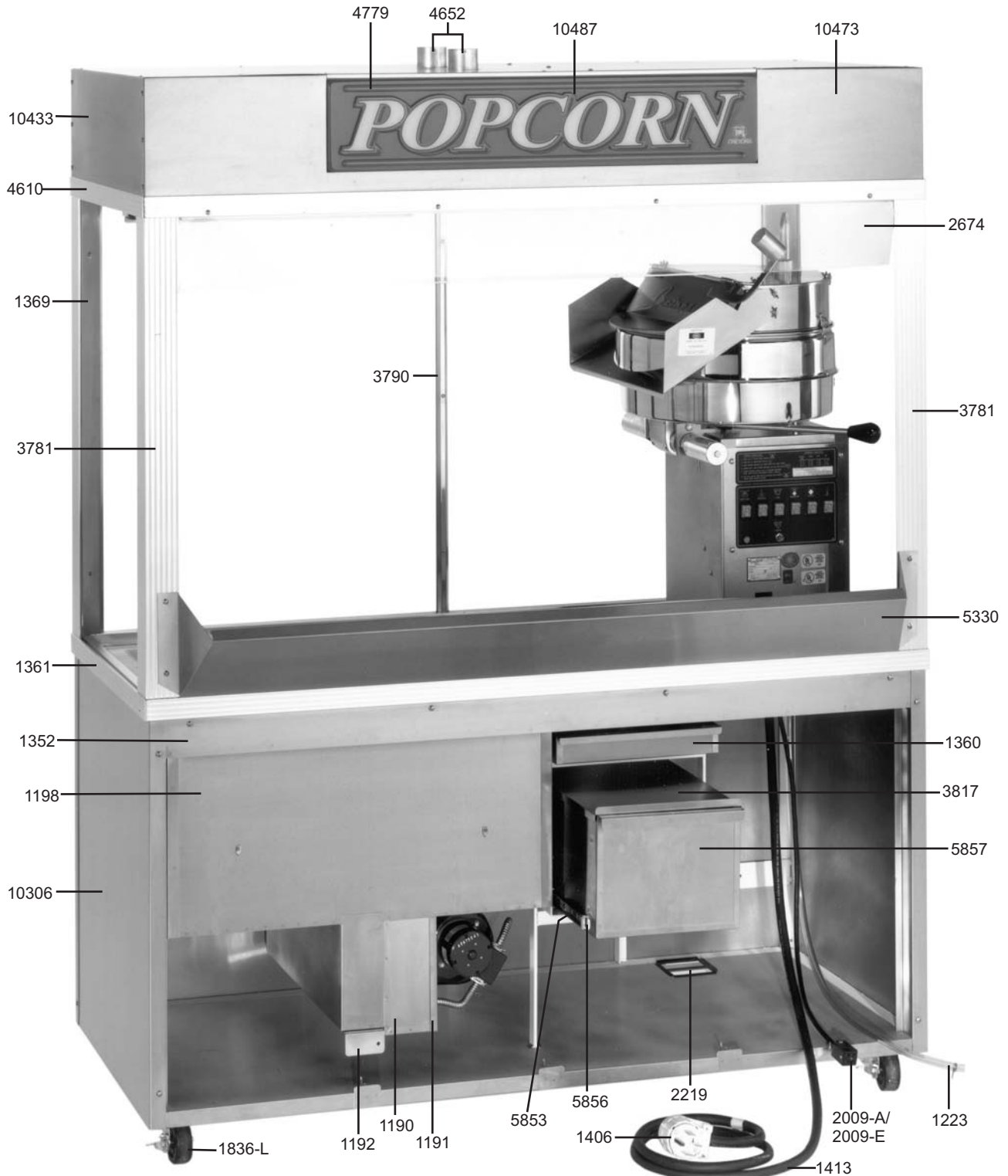
NOT SHOWN

10487 SIGN - POPCORN - RED & YELLOW (LONG)

ENCLOSED PRESIDENT REAR VIEW
BEGINNING SERIAL: 99064793

DOC: EPR30003

EPR20/32-A/E-3.1-A
01/2000



ENCLOSED PRESIDENT REAR VIEW

BEGINNING SERIAL: 99064793

DOC: EPR30003

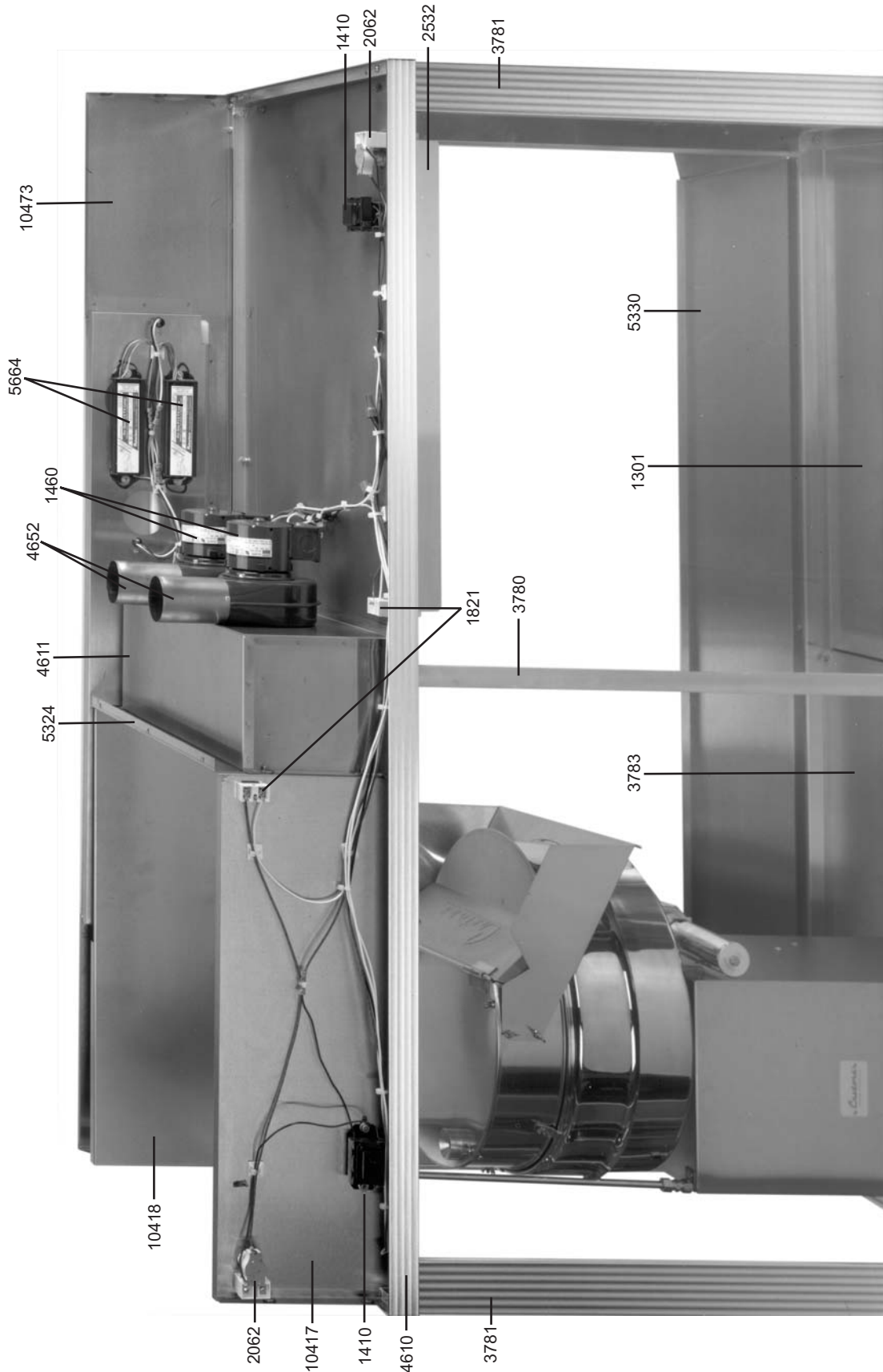
EPR20/32-A/E-3.1-A
01/2000

1190	CORNDITIONER STOVE BOX	10487	SIGN-POPCORN - RED & YELLOW (LONG)
1191	CORNDITIONER STOVE BOX COVER		<u>NOT SHOWN</u>
1192	CLEAN-OUT SLIDE	1358-L	SLIDING SOOR 5' LEFT PRES
1198	CORNDITIONER BIN-ONLY	1358-R	SLIDING DOOR 5' RIGHT PRES
1223	FT TUBING-NALGENE- CLEAR (SOLD PER FOOT)		
1352	SLIDING DOOR TOP CHANNEL		<u>HARDWARE FOR TOP ASSEMBLY</u>
1360	WASTE DRAWER	7642	8-32 X 3/8 SS TRUSS HEAD (12)
1361	EXTRUSION - PRESIDENT BOTTOM	7756	1/8" RIVET(4)
1369	INSIDE CORNER - FRONT	7789	#8 STAR LOCKWASHER (12)
1406	PLUG-50 AMP, 125/250V 4 WIRE	10539	6 x 3/8 PHIL HEAD-SHT MTL (14)
1413	CORD 30 AMP (SOLD PER FOOT)		
1836-L	CASTER W/ BRAKE		
2009-A	PUMP CORD AND PLUG-120V		
2009-E	PUMP CORD AND PLUG-230V		
2219	TRIM-PROTECTIVE - POWER CORD		
2674	SMOKE BAFFLE - 6" x 55"		
3781	EXTRUSION - EPR-CORNER-NEW STYLE		
3790	CENTER GLASS HOLDER		
3817	50# CORN DRAWER COVER		
4610	EXTRUSION - ENCL PRES		
4652	EXHAUST EXTENSION-SSTS (2)		
4779	TOP SIGN BRACKET		
5330	CORN GUARD 5'		
5853	DRAWER SLIDE - PAIR		
5856	CORN DRAWER SLIDE - EA.		
5857	50# CORN DRAWER		
7554	CORNDITIONER STOVE ASSY 240V		
10306	BASE PANEL LEFT & CORNER		
10433	TOP SHELL - SIDE-24" WIDE		
10473	TOP SHELL SSTS - PANEL		

ENCLOSED PRESIDENT TOP VIEW
BEGINNING SERIAL: 99064793

DOC: EPR30004

EPR20/32-A/E-3.2-A
01/2000



C. CRETORS AND COMPANY
176 MITTEL DRIVE, WOOD DALE, IL 60191
PHONE: (847)616-6900, FAX: (847)616-6970
WEB SITE: <http://www.cretors.com>

ENCLOSED PRESIDENT TOP VIEW

BEGINNING SERIAL: 99064793

DOC: EPR30004

EPR20/32-A/E-3.2-A
01/2000

1301 PERF. CORN SCREEN W/ HANDLES
1410 BALLAST 20 WATT (2)
1460 BLOWER - EXHAUST (2)
1821 SOCKET - FLOURESCENT (2)
2062 LAMP HOLDER COMBINATION (2)
2532 LAMP COVER
3780 GLASS DIVIDER
3781 EXTRUSION-EPR-CORNER - NEW STYLE
3783 POPPER CASE BOTTOM
4610 EXTRUSION
4611 FILTER HOUSING PANEL - EPR5/SSTS
4652 EXHAUST EXTENSION - SSTS
5324 INTERNAL SMOKE BAFFEL -EPR5/SSTS
5330 CORN GUARD 5' DIPLOMAT
5664 BALLAST SS13PSC (2)
10417 LIGHT PANEL - EPR5/SSTS
10418 BLANK PANEL - EPR5/SSTS
10473 TOP SHELL SSTS PANEL

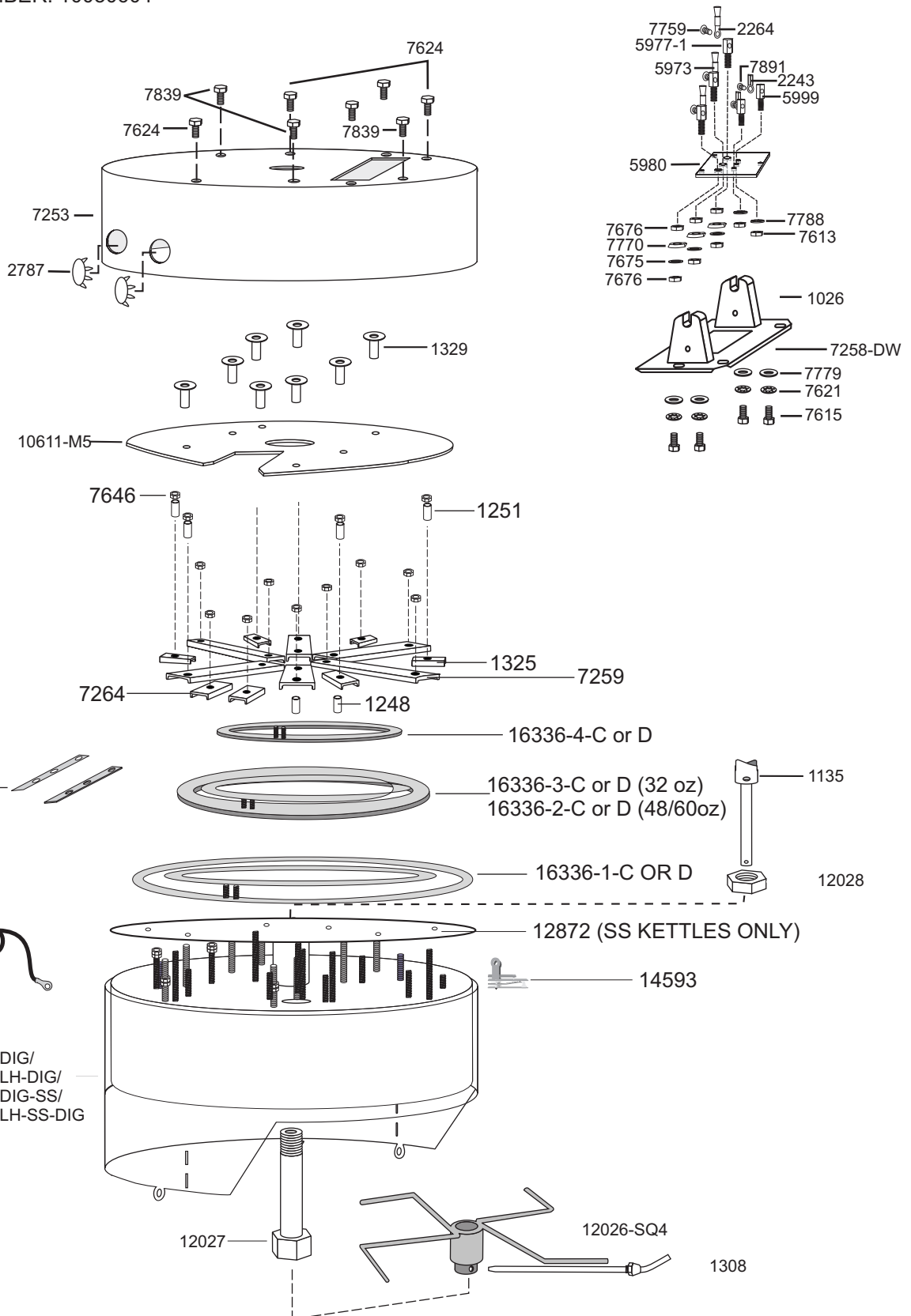
EG(PR) 32/48/60 ONE PIECE KETTLE BREAKDOWN
120/208; 120/240; 230V; 400V

DOC: G2000049

G32/48/60-C/D/E/G-2.1-A
 05/2010

UPSIDE-DOWN VIEW

BEG. SERIAL NUMBER: 10050604

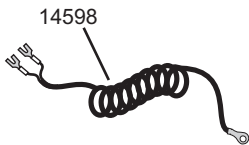
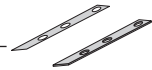


FOR CE MARKED MACHINES, 3918 WAS REPLACED WITH 14593 AND 14942 ON 400v MACHINES BEGINNING 07/08.



14942 (LOCATED IN CABINET)

16394 (400v kettles use 1 16394 and 1 16395 not shown)



EG(PR) 32/48/60 ONE PIECE KETTLE BREAKDOWN
120/208; 120/240; 230V; 400V

DOC: G2000049

G32/48/60-C/D/E/G-2.1-A
05/2010

UPSIDE-DOWN VIEW

BEG. SERIAL NUMBER: 10050604

1026	PAN LUG	12028	CENTER STUD LOCKNUT
1135	CLUTCH DOG AND SHAFT	12267-DIG	POPPER PAN-ONE PC. DROP-48 OZ -DIG
1251	5/8" SPACER	12267-LH-DIG	POPPER PAN 48 OZ.-LEFT HAND - DIG
1308	ANTI-PAK PIN	12267-SS-DIG	POPPER PAN - SS ONE PC. DROP- 48 OZ DIGITAL
1325	ELEMENT CLAMP 3-1/4"	12267-LH-SS-DIG	POPPER PAN - SS - 48oz - LEFT HAND DIGITAL
1329	RETAINER HEX SPACER	12872	DIFFUSER PLATE
2243	TERMINAL-WIRE	14593	HIGH LIMIT
2264	HIGH TEMP. TERMINAL	14598	THERMOCOUPLE-GIANT
2787	HOLE PLUG 1/2"	14942	HIGH LIMIT-LATCHING RELAY
5973	HEAT SHRINK	16336-1-C	ELEMENT 2000 WATT, 240 VOLT
5977-1	WIRE TERMINAL STUD	16336-1-D	ELEMENT 2000 WATT, 208 VOLT
5980	MYROY PLATE	16336-2-C	ELEMENT 3050 WATT, 240 VOLT (48/60 OZ)
5999	THERMOCOUPLE STUD	16336-2-D	ELEMENT 3050 WATT, 208 VOLT (48/60 OZ)
7253	RETAINER	16336-3-C	ELEMENT 1500 WATT, 240 VOLT(32OZ)
7258-DW	PAN LEG PLATE-G48/60E-DIRCT WIRE	16336-3-D	ELEMENT 1500 WATT, 208 VOLT(32OZ)
7259	ELEMENT CLAMP 5-1/4"	16336-4-C	ELEMENT 750 WATT, 240 VOLT
10611-M5	BAFFLE PLATE	16336-4-D	ELEMENT 750 WATT, 208 VOLT
7264	ELEMENT CLAMP 1-5/8"	16394	NICKEL STRAP-4.5"
7605	KETTLE WIRE SET	16395	KETTLE ELEMENT JUMPER - 400V
7613	6-32 X 5/16 X 7/64 HEX NUT	16400	ELEMENT SPACER
7615	1/4-20 X 3/4 HEX CAP SCREW		
7621	1/4" INTERNAL TOOTH LOCKWASHER		
7624	1/4-28 x 1/2 HEX CAP		
7646	1/4-28 HEX NUT		
7675	# 10 FLAT MONEL WASHER		
7676	10-32 MONEL NUT		
7759	10-32 SCREW		
7779	1/4" SAE FLAT WASHER		
7788	#6 STAR LOCKWASHER		
7797	4-36 x 1/8 SLOTTED BINDER HEAD		
7839	1/4-28 x 5/8 HEX HEAD		
7891	8-32 X 3/16 SS PAN HEAD SCREW		
10313	KETTLE WIRE SET (400V ONLY)		
10611-M5	BAFFLE PLATE		
12026-SQ4	STIRRER BLADE - 4 BLADE SQUARE		
12027	PAN CENTER 1 PC		

C. CRETORS AND COMPANY
3243 N. CALIFORNIA AVENUE
CHICAGO, IL 60618

PHONE: (773)588-1690, (800)228-1885, FAX: (773)588-2171

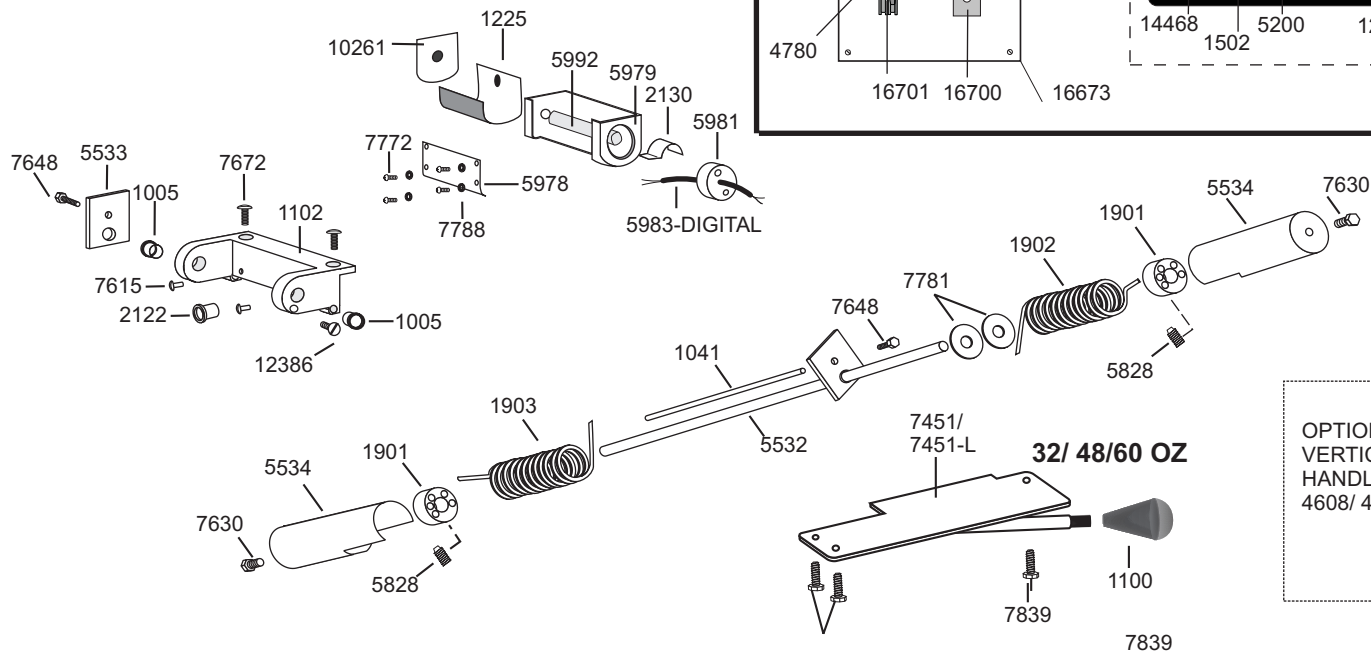
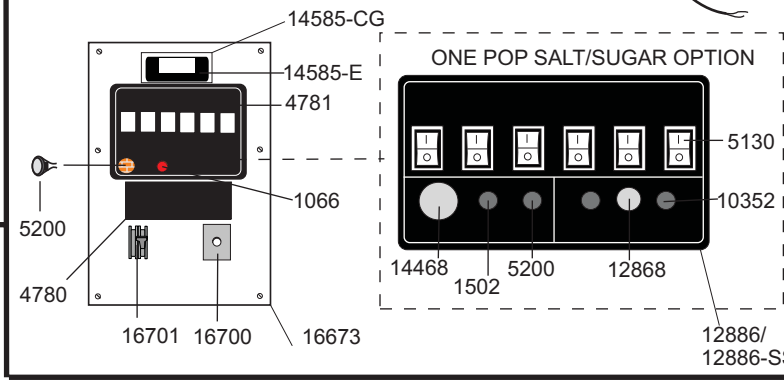
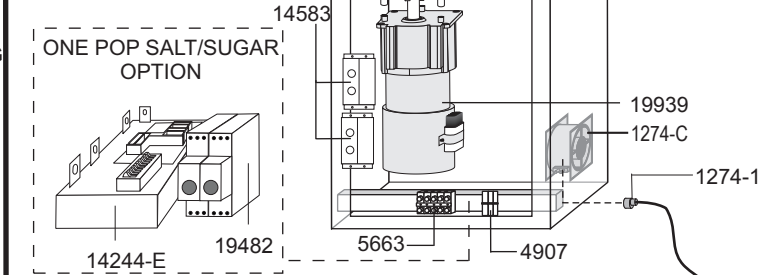
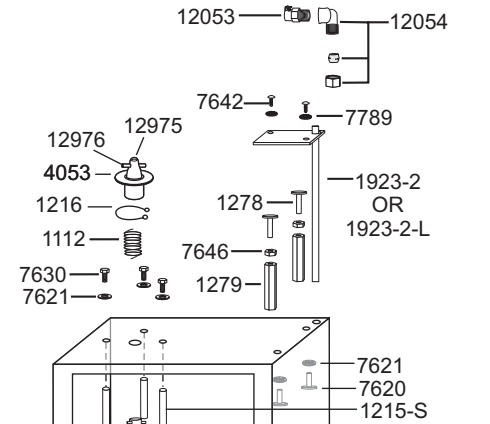
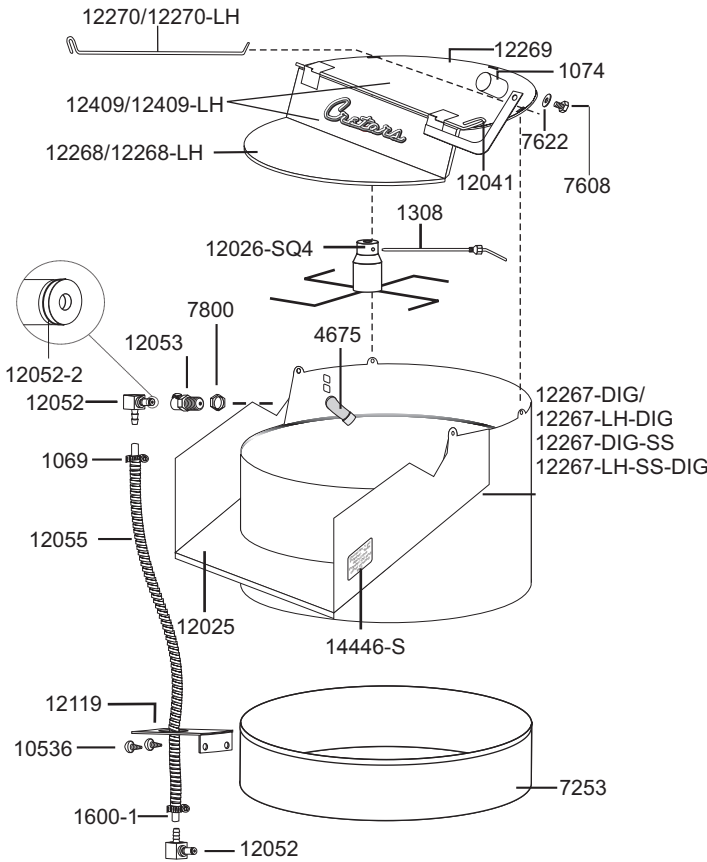
WEB SITE: <http://www.cretors.com> Email: postmaster@cretors.com

PR32,EG32,PR48,EG48,PR60,EG60
ONEPIECEKETTLE&PEDESTAL PARTS
120/208V,120/240V/60Hz
ONE POP & SALT/SUGAR OPTION
 BEGINNING SERIAL: 1810000

DOC: G2000050 G1P32/48/60-C/D-2.0-B
 10/2018

KETTLE ASSEMBLIES

- (All have -DIG suffix)
 7251ZP-C-DIG
 7251ZP-D
 7251ZP-C-LH.
 7251ZP-D-LH
 7251ZP-C-SS
 7251ZP-D-SS
 7251ZP-C-LH-SS.
 7251ZP-D-LH-SS
 7594ZP-C
 7594DWIP-D
 7594ZP-C-LH.
 7594ZP-D-LH
 7594ZP-C-SS
 7594ZP-D-SS
 7594ZP-C-LH-SS.
 7594ZP-D-LH-SS



OPTIONAL
 VERTICAL DUMP
 HANDLE
 4608/ 4608-L

PR32, EG32, PR48, EG48, PR60, EG60
ONE PIECE KETTLE & PEDESTAL PARTS
120/208V, 120/240V/60Hz
ONE POP & SALT/SUGAR OPTION
BEGINNING SERIAL: 10050000

DOC: G2000050 G1P32/48/60-C/D-2.0-B
05/2010

1005	OILITE BEARING	7451-L	DUMP HANDLE - G32/48/60E LEFT HAND
1026	PAN LUG	7608	3/8-24 x 3/8 HEX HEAD
1041	PAN DUMP SPRING ROD	7615	1/4-20 X 3/4 HEX CAP SCREW
1066	SWITCH - PUSH BUTTON	7620	1/4-28 x 3/8 HEX HEAD
1069	CLAMP HOSE	7621	1/4" INTERNAL TOOTH LOCKWASHER
1074	COUNTERWEIGHT	7622	3/8 WASHER
1100	DUMP HANDLE KNOB	7624	1/4-28 x 1/2 HEX CAP
1102	KETTLE SUPPORT BRACKET	7630	1/4-20 x 1/2 HEX BOLT
1112	STIRRER SHAFT SPRING	7642	8-32 x 3/8 SS TRUSS HEAD
1140	PAN CENTER	7646	1/4-28 HEX NUT
1215-S	MOTOR MOUNT STUD SET (3)	7648	5/16-18 x 3/4 CAP SCREW
1216	DRIVE HEAD RETAINING RING	7650	1/4-20 x 3/8 HEX HEAD
1225	FISH PAPER	7659	10-24 x 3/4 FILL HEAD W/SPACER TUBE
19939	MOTOR	7672	1/4-20 x 3/4 OVAL HEAD SCREW
1278	KETTLE LEVEL ADJ. SCREW	7772	6-32 x1/4 BINDING HEAD
1279	KETTLE ADJUSTING SPACER	7779	1/4" SAE FLAT WASHER
1308	ANTI-PAK PIN	7781	1/2 " FLAT WASHER
1319	PAN CENTER WASHER	7788	#6 LOCKWASHER
1502	INDICATOR LIGHT - GREEN	7789	# 8 STAR WASHER
1600-1	TUBING-SILICONE PER FOOT	7800	1/4" NPT HEX THIN NUT
1901	SPRING COLLAR	7839	1/4 -28 x 5/8 HEX HEAD
1902	DUMP SPRING - 13 COIL	7898	10-24 x 1/2 SS WELD SCREW
1903	DUMP SPRING - 10 COIL	7839	1/4-28 x 5/8 HEX HEAD
1923-2	DISCHARGE TUBE BOTTOM- 32 OZ	10261	FISHPAPER WASHER DIRECT WIRE
1923-2-L	DISCHARGE TUBE BOTTOM-LONG	10352	INDICATOR LIGHT W/TABS
2122	BUSHING HEYCO	10536	6-32 x 3/8 SHEET METAL SCREWS
2130	PIPE CLAMP	12025	KETTLE APRON - 1 PC
3913-1	3/8 SS FLEXIBLE CONDUIT	12026-SQ4	STIRRER BLADE ASSY
14446-S	DECAL - CORN	1204	HINGE PIN - 1 PC
4053	MOTOR DRIVE HEAD W/SHIELD	12052	ELBOW - DIRECT OIL
4261	CIRCUIT BREAKER - 120V/15A	12052-2	"O" RING
4675	1/4" SS ELBOW	12053	COUPLING DIRECT OIL
4780	DECAL - INSTRUCTIONS - 20/32/48	12054	1/4" NPT TO 3/8" TUBE RIGHT ANGLE
4781	DECAL - SWITCH	12055	TUBE COVER- 3/8" x 24" SS FLUID CONDUIT
16673	SWITCHPLATE - ROCKER - DIGITAL	12119	OIL TUBE BRACKET
4907	TERMINAL BLOCK 40 AMP	19482	TIMER- 120V/230V DUAL - OFF DELAY
5130	SWITCH - LIGHTED	12268	KETTLE COVER - FRONT
5200	INDICATOR LIGHT	12269	KETTLE COVER - REAR
16701	CIRCUIT BREAKER - 50 AMP	12270	KETTLE COVER PIN
5532	CROSS SHAFT	12409	KETTLE COVER ASSY 1 PC/2 PIN
5533	CROSS SHAFT LUG	12868	TOGGLE SWITCH-3PDT-ON/OFF
5534	SPRING COVER	16673	SWITCHPLATE - ONE POP - DIGITAL
5663	TERMINAL BLOCK	12886	DECAL - ONE POP (SS = SALT SUGAR)
5828	5/16-24 x 1/2 HALF DOG PT. SET SC	12975	1/4-28 X 3/16 SET SCREW
5977	WIRE TERMINAL STUD	12976	DRIVE PIN-MOTOR DRIVE HEAD
5979	TERMINAL HOUSING - DIRECT WIRE	14468	SWITCH-DOUBLE POLE-PUSH BUTTON
5978	TERMINAL COVER PLATE	14583	RELAY-120V.-SINGLE POLE
5980	MYKROY PLATE	14585-E	DIGITAL CONTROLLER - 120V
5981	BAKELITE WASHER	14585-CG	DIGITAL CONTROLLER GUARD
5983-DIGITAL	WIRE ASSY-DW (C,D,E)		
5992	INSULATOR TUBE		
7253	RETAINER - G32/48/60E		
7451	DUMP HANDLE - G32/48/60E		

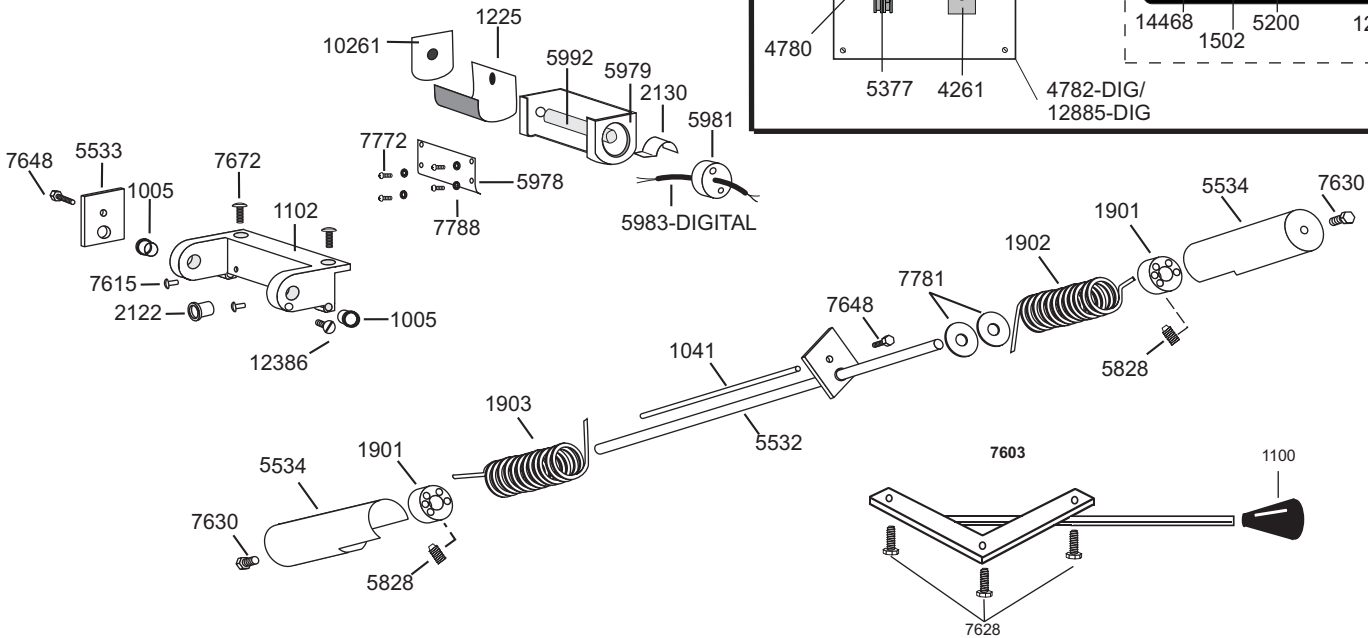
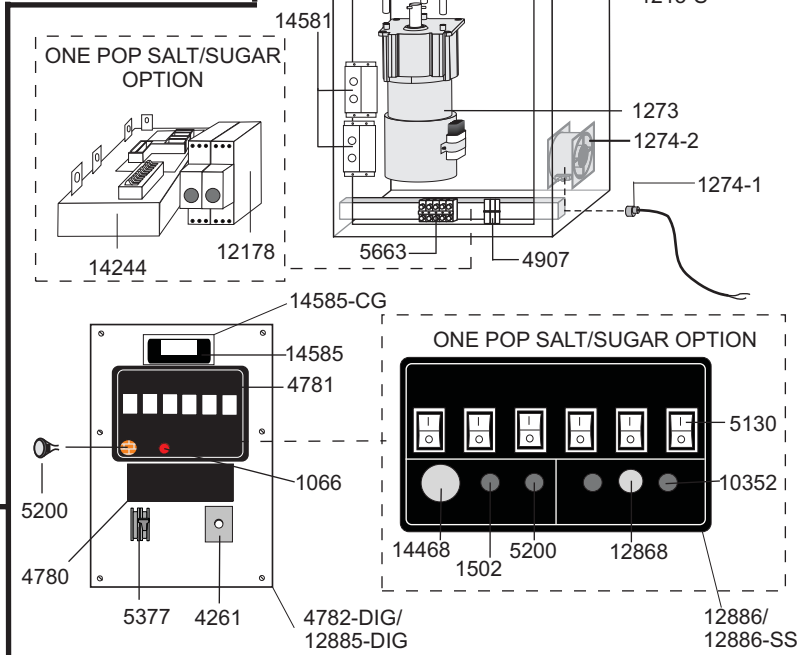
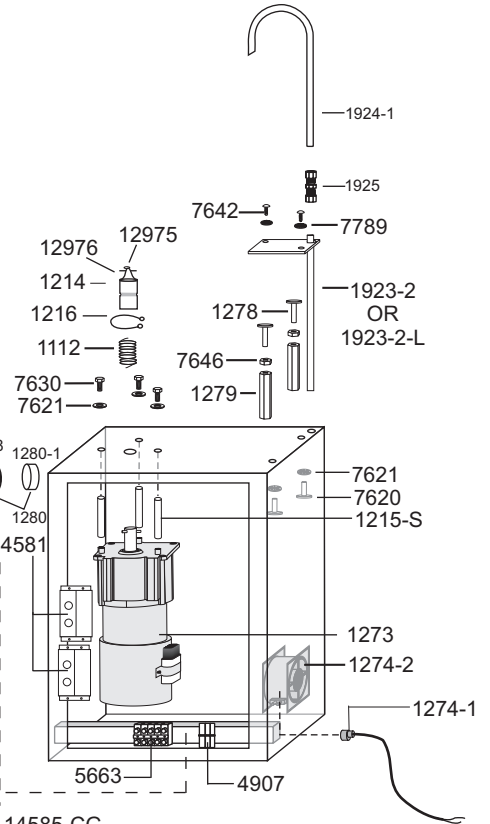
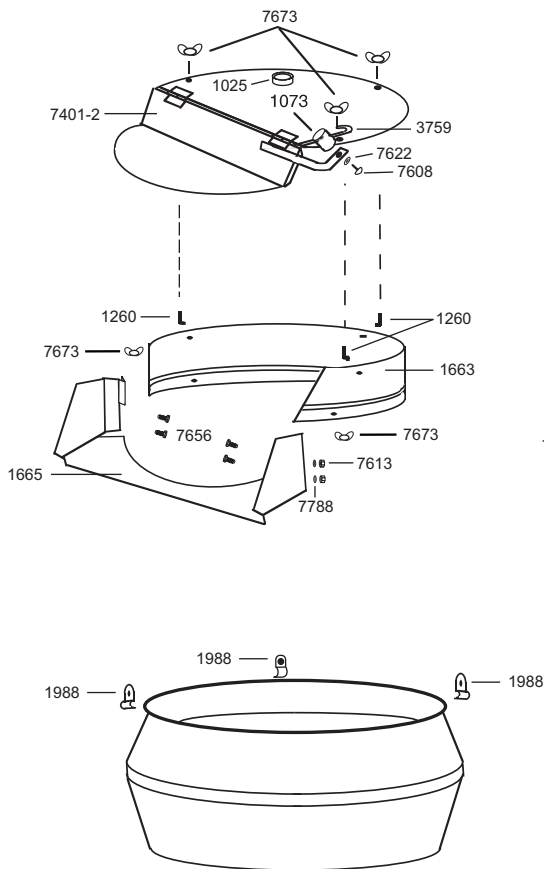
C. CRETORS AND COMPANY
3243 N. CALIFORNIA AVENUE
CHICAGO, IL 60618
PHONE: (773)588-1690, (800)228-1885, FAX: (773)588-2171
WEB SITE: <http://www.cretors.com> Email: postmaster@cretors.com

PR20, EG20
ONE PIECE KETTLE & PEDESTAL PARTS
120/208V, 120/204V/60Hz
ONE POP & SALT/SUGAR OPTION
 BEGINNING SERIAL: 08010000

DOC: G2000052

G20-C/D-2.0-C
 01/2008

KETTLE ASSEMBLIES
 (ALL NEW KETTLE ASSY
 HAVE -DIG SUFFIX)
 7594-C-DIG
 7594-D-DIG
 7594-C
 7594-D
 7594-C-LH
 7594-D-LH
 7594-C-SS
 7594-D-SS
 7594-C-LH-SS
 7594-D-LH-SS



PR20, EG20
ONE PIECE KETTLE & PEDESTAL PARTS
120/208V, 120/204V/60Hz
ONE POP & SALT/SUGAR OPTION
BEGINNING SERIAL: 08010000

DOC: G2000052

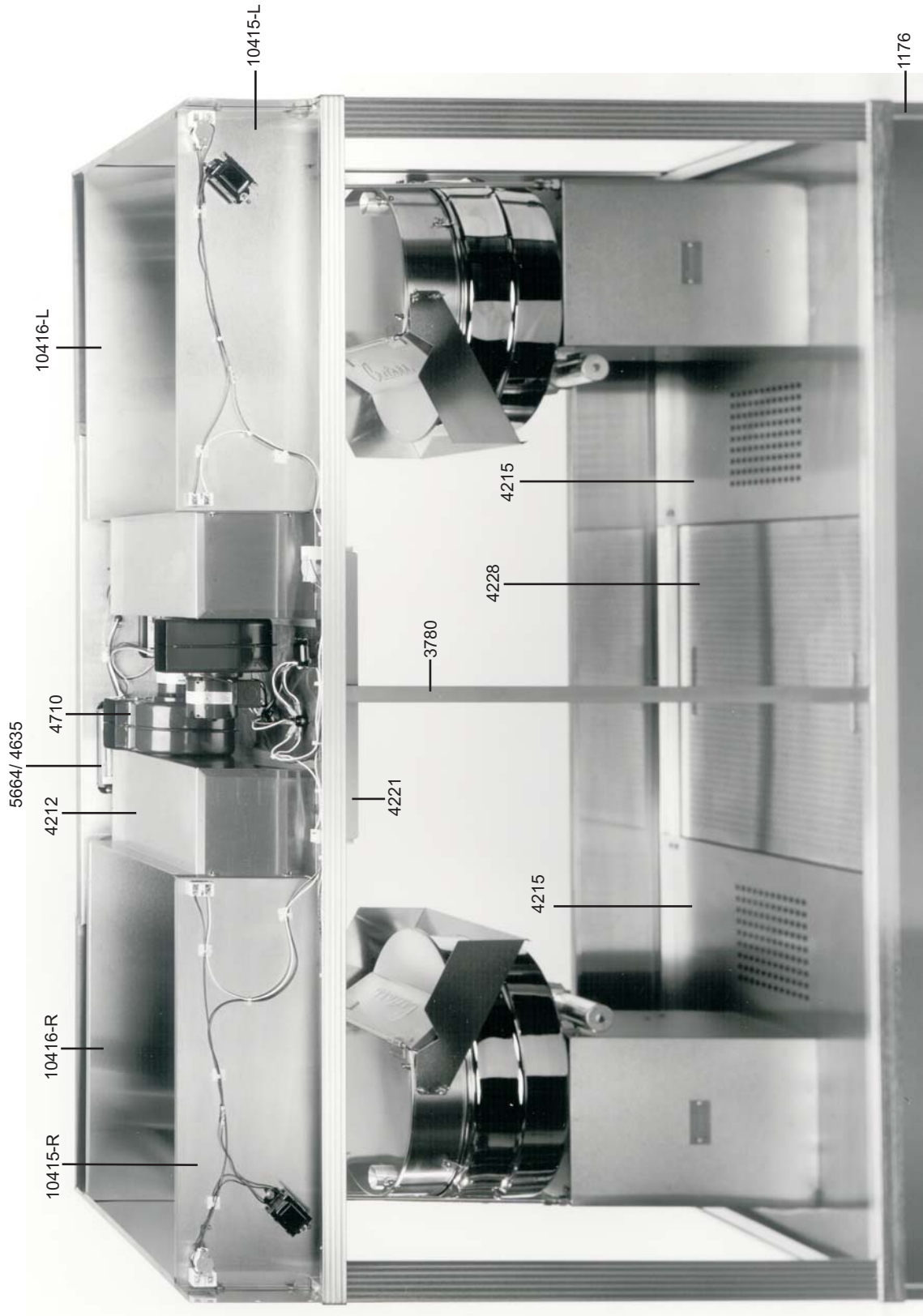
G20-C/D-2.0-C
01/2008

1005	OILITE BEARING	7451-L	DUMP HANDLE - G32/48/60E LEFT HAND
1026	PAN LUG	7608	3/8-24 x 3/8 HEX HEAD
1041	PAN DUMP SPRING ROD	7615	1/4-20 X 3/4 HEX CAP SCREW
1066	SWITCH - PUSH BUTTON	7620	1/4-28 x 3/8 HEX HEAD
1069	CLAMP HOSE	7621	1/4" INTERNAL TOOTH LOCKWASHER
1074	COUNTERWEIGHT	7622	3/8 WASHER
1100	DUMP HANDLE KNOB	7624	1/4-28 x 1/2 HEX CAP
1102	KETTLE SUPPORT BRACKET	7630	1/4-20 x 1/2 HEX BOLT
1112	STIRRER SHAFT SPRING	7642	8-32 x 3/8 SS TRUSS HEAD
1140	PAN CENTER	7646	1/4-28 HEX NUT
1215-S	MOTOR MOUNT STUD SET (3)	7648	5/16-18 x 3/4 CAP SCREW
1216	DRIVE HEAD RETAINING RING	7650	1/4-20 x 3/8 HEX HEAD
1225	FISH PAPER	7659	10-24 x 3/4 FILL HEAD W/SPACER TUBE
1273	MOTOR	7672	1/4-20 x 3/4 OVAL HEAD SCREW
1278	KETTLE LEVEL ADJ. SCREW	7772	6-32 x1/4 BINDING HEAD
1279	KETTLE ADJUSTING SPACER	7779	1/4" SAE FLAT WASHER
1308	ANTI-PAK PIN	7781	1/2 " FLAT WASHER
1319	PAN CENTER WASHER	7788	#6 LOCKWASHER
1502	INDICATOR LIGHT - GREEN	7789	# 8 STAR WASHER
1600-1	TUBING-SILICONE PER FOOT	7800	1/4" NPT HEX THIN NUT
1901	SPRING COLLAR	7839	1/4 -28 x 5/8 HEX HEAD
1902	DUMP SPRING - 13 COIL	7898	10-24 x 1/2 SS WELD SCREW
1903	DUMP SPRING - 10 COIL	7839	1/4-28 x 5/8 HEX HEAD
1923-2	DISCHARGE TUBE BOTTOM- 32 OZ	10261	FISHPAPER WASHER DIRECT WIRE
1923-2-L	DISCHARGE TUBE BOTTOM-LONG	10352	INDICATOR LIGHT W/TABS
2122	BUSHING HEYCO	10536	6-32 x 3/8 SHEET METAL SCREWS
2130	PIPE CLAMP	12025	KETTLE APRON - 1 PC
3913-1	3/8 SS FLEXIBLE CONDUIT	12026-SQ4	STIRRER BLADE ASSY
3974	DECAL - CORN	1204	HINGE PIN - 1 PC
4053	MOTOR DRIVE HEAD W/SHIELD	12052	ELBOW - DIRECT OIL
4261	CIRCUIT BREAKER - 120V/15A	12052-2	"O" RING
4675	1/4" SS ELBOW	12053	COUPLING DIRECT OIL
4780	DECAL - INSTRUCTIONS - 20/32/48	12054	1/4" NPT TO 3/8" TUBE RIGHT ANGLE
4781	DECAL - SWITCH	12055	TUBE COVER- 3/8" x 24" SS FLUID CONDUIT
4782-DIG	SWITCHPLATE - ROCKER - DIGITAL	12119	OIL TUBE BRACKET
4907	TERMINAL BLOCK 40 AMP	12178	TIMER- 120V/230V DUAL - OFF DELAY
5130	SWITCH - LIGHTED	12268	KETTLE COVER - FRONT
5200	INDICATOR LIGHT	12269	KETTLE COVER - REAR
5377	CIRCUIT BREAKER - 50 AMP	12270	KETTLE COVER PIN
5532	CROSS SHAFT	12409	KETTLE COVER ASSY 1 PC/2 PIN
5533	CROSS SHAFT LUG	12868	TOGGLE SWITCH-3PDT-ON/OFF
5534	SPRING COVER	12885-DIG	SWITCHPLATE - ONE POP - DIGITAL
5663	TERMINAL BLOCK	12886	DECAL - ONE POP (SS = SALT SUGAR)
5828	5/16-24 x 1/2 HALF DOG PT. SET SC	12975	1/4-28 X 3/16 SET SCREW
5977	WIRE TERMINAL STUD	12976	DRIVE PIN-MOTOR DRIVE HEAD
5979	TERMINAL HOUSING - DIRECT WIRE	14468	SWITCH-DOUBLE POLE-PUSH BUTTON
5978	TERMINAL COVER PLATE	14581	RELAY-120V.-SINGLE POLE
5980	MYKROY PLATE	14585	DIGITAL CONTROLLER - 120V
5981	BAKELITE WASHER	14585-CG	DIGITAL CONTROLLER GUARD
5983-DIGITAL	WIRE ASSY-DW (C,D,E)		
5992	INSULATOR TUBE		
7253	RETAINER - G32/48/60E		
7451	DUMP HANDLE - G32/48/60E		

C. CRETORS AND COMPANY
176 MITTEL DRIVE
WOOD DALE, IL 60191

PHONE: (847)616-6900, (800)228-1885, FAX: (847)616-6970

WEB SITE: <http://www.cretors.com> Email: postmaster@cretors.com



TWIN ENCLOSED PRESIDENT - TOP VIEW

BEGINNING SERIAL: 99064793

DOC: TEPR3001

TEPR-A-3.0-A
02/2000

1176 CORNER BASE TRIM - FRONT
3780 GLASS DIVIDER
4215 POPPER CASE
4221 LAMP SHADE
4228 CORND SCREEN
4710 BLOWER - 120V
5664 BALLAST - SS13PSC
10415-L LIGHT PANEL - LEFT - TEPR
10415-R LIGHT PANEL - RIGHT - TEPR
10416-L DUMMY PANEL - LEFT - TEPR
10416-R DUMMY PANEL - RIGHT - TEPR

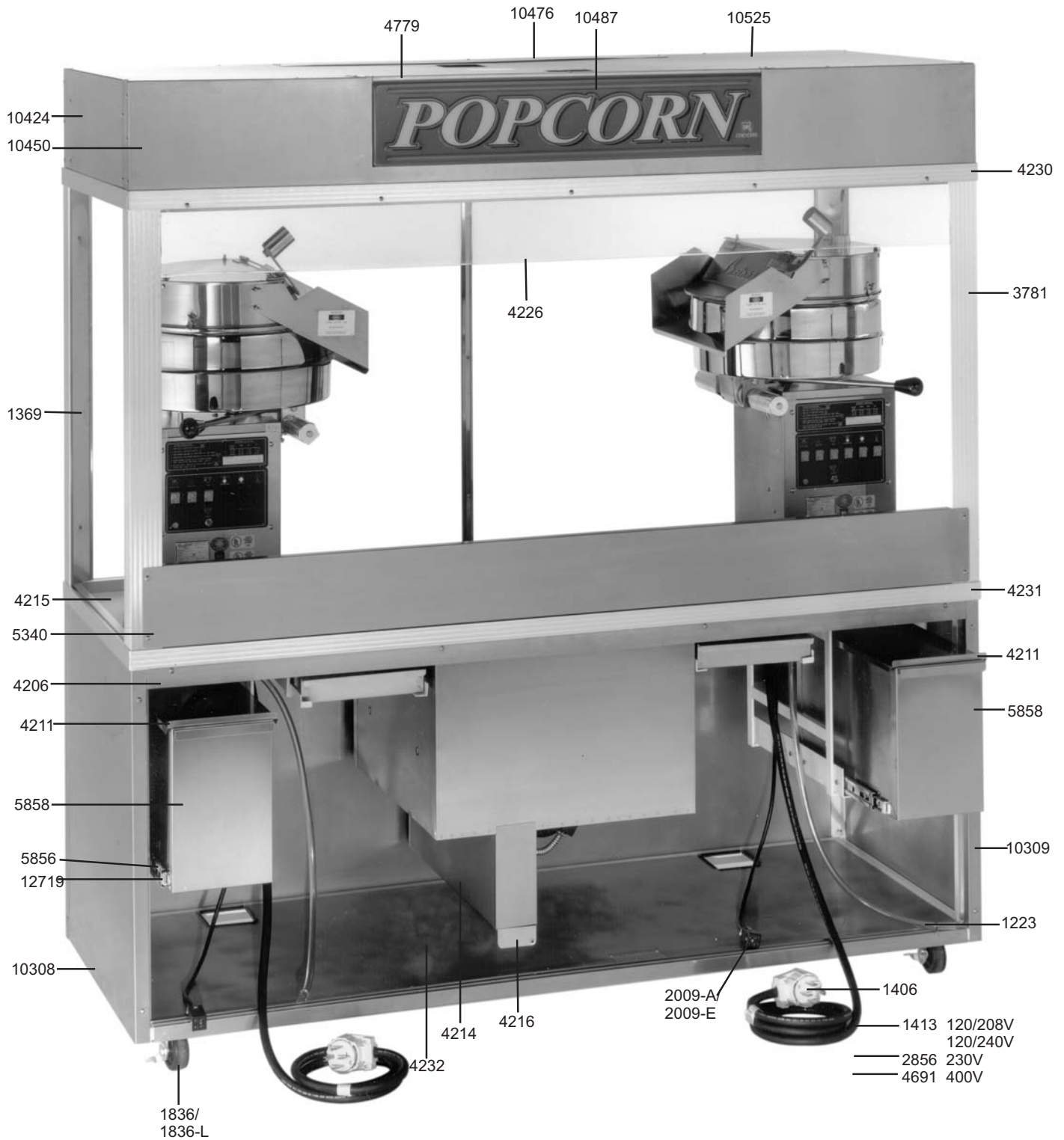
TWIN ENCLOSED PRESIDENT - BACK VIEW

BEGINNING SERIAL: 00010269

DOC: TEPR3002

TEPR-A/E-3.1-A

03/2005



C. CRETORS AND COMPANY
 176 Mittel Drive
 Wood Dale, IL 60191
 PHONE: (847)616-6900 FAX: (847)616-6970
 WEBSITE: <http://www.cretors.com>

TWIN ENCLOSED PRESIDENT - BACK VIEW

BEGINNING SERIAL: 00010269

DOC: TEPR3002

TEPR-A/E-3.1-A

03/2005

1223 FT TUBING - NALGENE - CLEAR SOLD PER FOOT

1369 INSIDE CORNER - FRONT

1406 PLUG-50AMP, 120V (DOMESTIC ONLY)

1413 CORD 30 AMP SOLD PER FOOT

1836 CASTER WITH OUT BRAKE

1836-L CASTER W/ BRAKE

2009-A PUMP CORD AND PLUG 120V

2009-E PUMP CORD AND PLUG 230V

2856 CORD 32 AMP (3X4.0MM) SOLD PER FOOT

3781 EXTRUSION - EPR CORNER-NEW STYLE

4206 DOOR RUNNER TOP

4211 50# CORN DRAWER COVER-NARROW

4214 CORN BIN

4215 POPPER CASE BOTTOM

4216 BIN CLEAN OUT SLIDE

4226 SMOKE BAFFLE - EPR VINYL 72"

4230 EXTRUSION -EPR TOP

4231 EXTRUSION - EPR BOTTOM

4232 FRONT BASE PANEL

4691 CORD 25 AMP (5X4.0MM) SOLD PER FOOT

4779 TOP SIGN BRKT

5340 CORN GUARD

5856 CORN DRAWER SLIDE-EA

5858 50# CORN DRAWER-NARROW

10308 BASE PANEL LEFT & CORNER

10309 BASE PANEL RIGHT & CORNER

10424 TOP SHELL - SIDE WITH HOLES

10450 TOP SHELL SSTS PANEL

10476 NEON SIGN - TOP PANEL COVER

10487 SIGN - POPCORN - RED & YELLOW-LONG

10525 TOP PANEL

NOT SHOWN

1370 INSIDE CORNER (REAR)

4219-L SLIDING DOOR - LEFT

4219-R SLIDING DOOR - RIGHT

5180 SMOKE BAFFLE STRIP

7554 CORNDITIONER STOVE ASSY - 240V

10462 TOP SHELL - BLANK PANEL

10632 SIGN BACKING FOR P/N 10487

12719 DRAWER SLIDES - CORN DRAWER

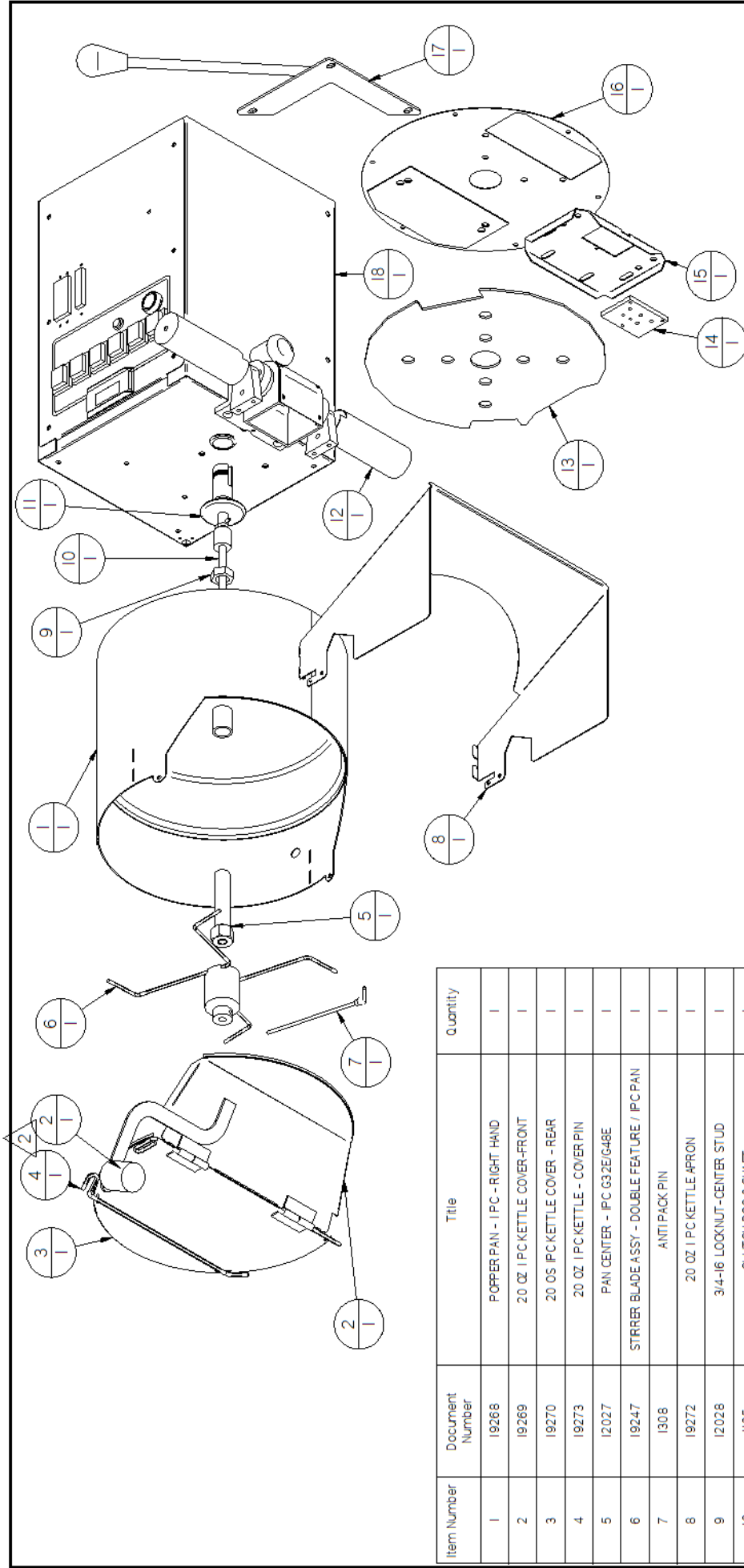
C. CRETORS AND COMPANY

176 Mittel Drive

Wood Dale, IL 60191

PHONE: (847)616-6900 FAX: (847)616-6970

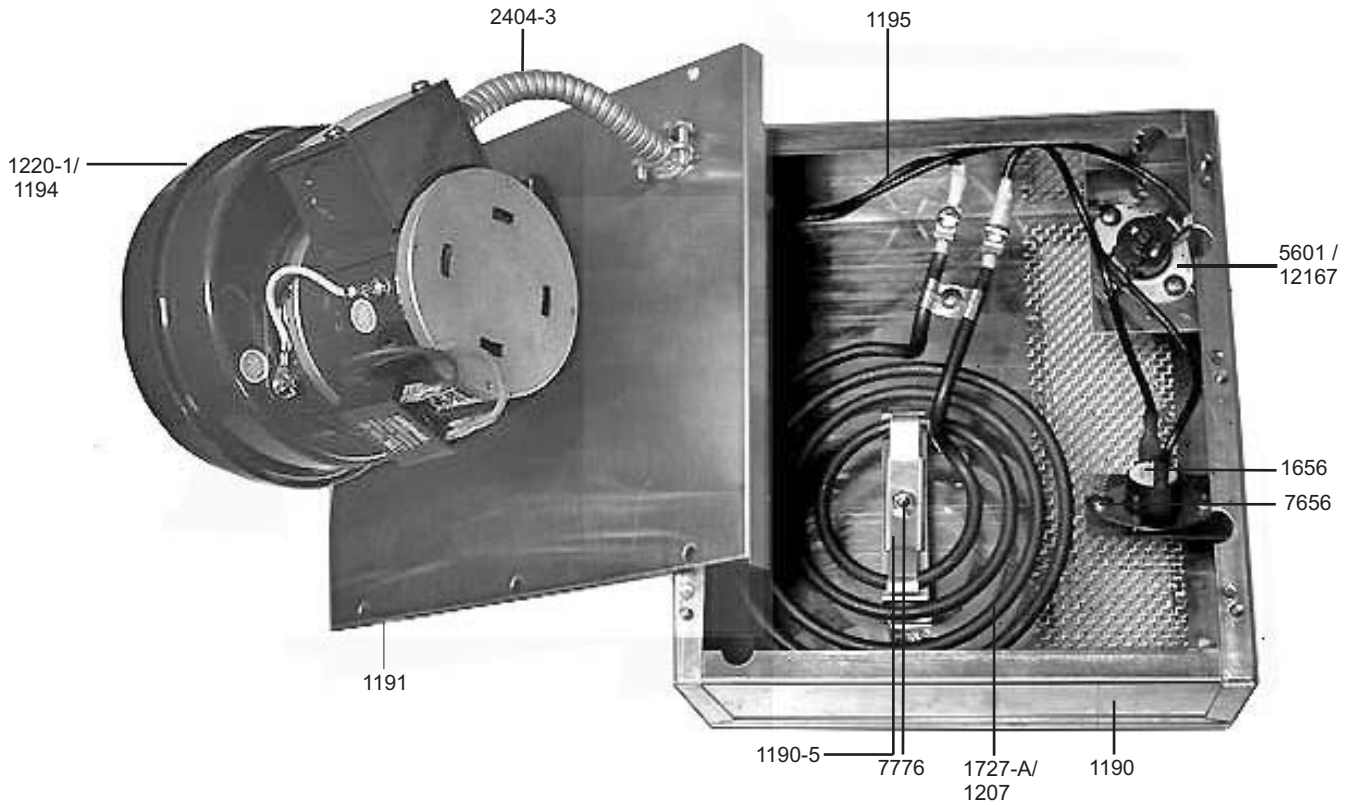
WEBSITE: <http://www.cretors.com>



Item Number	Document Number	Title	Quantity
1	19268	POPPER PAN - 1 PC - RIGHT HAND	1
2	19269	20 OZ 1 PC KETTLE COVER-FRONT	1
3	19270	20 OS 1 PC KETTLE COVER - REAR	1
4	19273	20 OZ 1 PC KETTLE - COVER PIN	1
5	12027	PAN CENTER - 1PC G32E/G48E	1
6	19247	STRRRER BLADE ASSY - DOUBLE FEATURE / 1PC PAN	1
7	1308	ANTI PACK PIN	1
8	19272	20 OZ 1 PC KETTLE APRON	1
9	12028	3/4-16 LOCKNUT-CENTER STUD	1
10	1135	CLUTCH DOG & SHAFT	1
11	4053	MOTOR DRIVE HEAD WITH SHIELD	1
12	5534	SPRING COVER	1
13	14496	DIFFUSER PLATE - EG20	1
14	5980	MYCRO-D DISTRIBUTION PLATE - GIANT	1
15	19276	PAN LEG PLATE	1

Item Number	Document Number	Title	Quantity
16	19271	20 OZ 1 PC KETTLE - BOTTOM COVER	1
17	7603	DUMP HANDLE ASSEMBLY-SS.	1
18	1627-3	PEDESTAL-RIGHT HAND-ELEC GIANT	1

C. CRETORS & COMPANY 3243 N. CALIFORNIA AVE., CHICAGO, IL 60618-5890 TEL: 773/588-1690 FAX: 773/588-2171		NAME: E20G MATERIAL:	
TOLEANCES XXXX ±.0020 XXXX ±.0005 FRACT: ±.164 132 SURFACE 132 SURFACE		DRAWN BY: BUD DATE:	
This drawing contains information proprietary to C. Cretors & Co. and is furnished in confidence for the sole purposes of supplying the recipient with needed engineering data. Its contents should not be disclosed or reproduced in any manner without the written consent of C. Cretors & Co. All Rights Reserved.		CHK'D: DATE: SCALE: DWG. No. EG20 APPROVED: DATE: REV: A	
DESCRIPTION OF REVISION			
REV.		BY	DATE



CORNDITIONER STOVE ASSEMBLY

BEGINNING SERIAL NO. 07010000

DOC: CSA3001

CSA-A/E-3.0-B

2/08

1190 CORNDITIONER STOVE BOX
1255 3/8" CONNECTOR
7621 1/4" INTERNAL TOOTH LOCKWASHER
7630 1/4-20 x 1/2 HEX BOLT (3)
7640 1/4-20 HEX NUT (3)
7653 8-32 HEX NUT (5)
7656 6-32 x 3/8 BINDING HEAD
7776 8-32 STEEL WING NUT
7789 #8 STARLOCKWASHER (5)
7554 CORNDITIONER STOVE ASSY - 240V (COMPLETE)
7555 CORNDITIONER STOVE ASSY - 120V (COMPLETE)

INCLUDES:

1190-5 ELEMENT CLAMP
1191 CORND. STOVE BOX COVER
1194 BLOWER - 240V (EXPORT)
1195 SET OF WIRES
1207 ELEMENT 1250 WATT, 240V
1220-1 BLOWER - 120V (DOMESTIC)
1656 THERMOSTAT - 180°F
1727-A ELEMENT 1100 WATT, 120V
2404-3 SS FLEXIBLE CONDUIT CUT TO LENGTH
12167 HIGH LIMIT 200F-3 POLE DISCONNECT

MOUNTING HARDWARE

7653 8-32 HEX NUT (5)
7776 8-32 STEEL WING NUT
7789 #8 STAR LOCKWASHER (5)

C. CRETORS AND COMPANY
3243 N. CALIFORNIA AVENUE
CHICAGO, IL 60618

PHONE: (773)588-1690, (800)228-1885, FAX: (773)588-7141
WEB SITE: <http://www.cretors.com> Email: postmaster@cretors.com