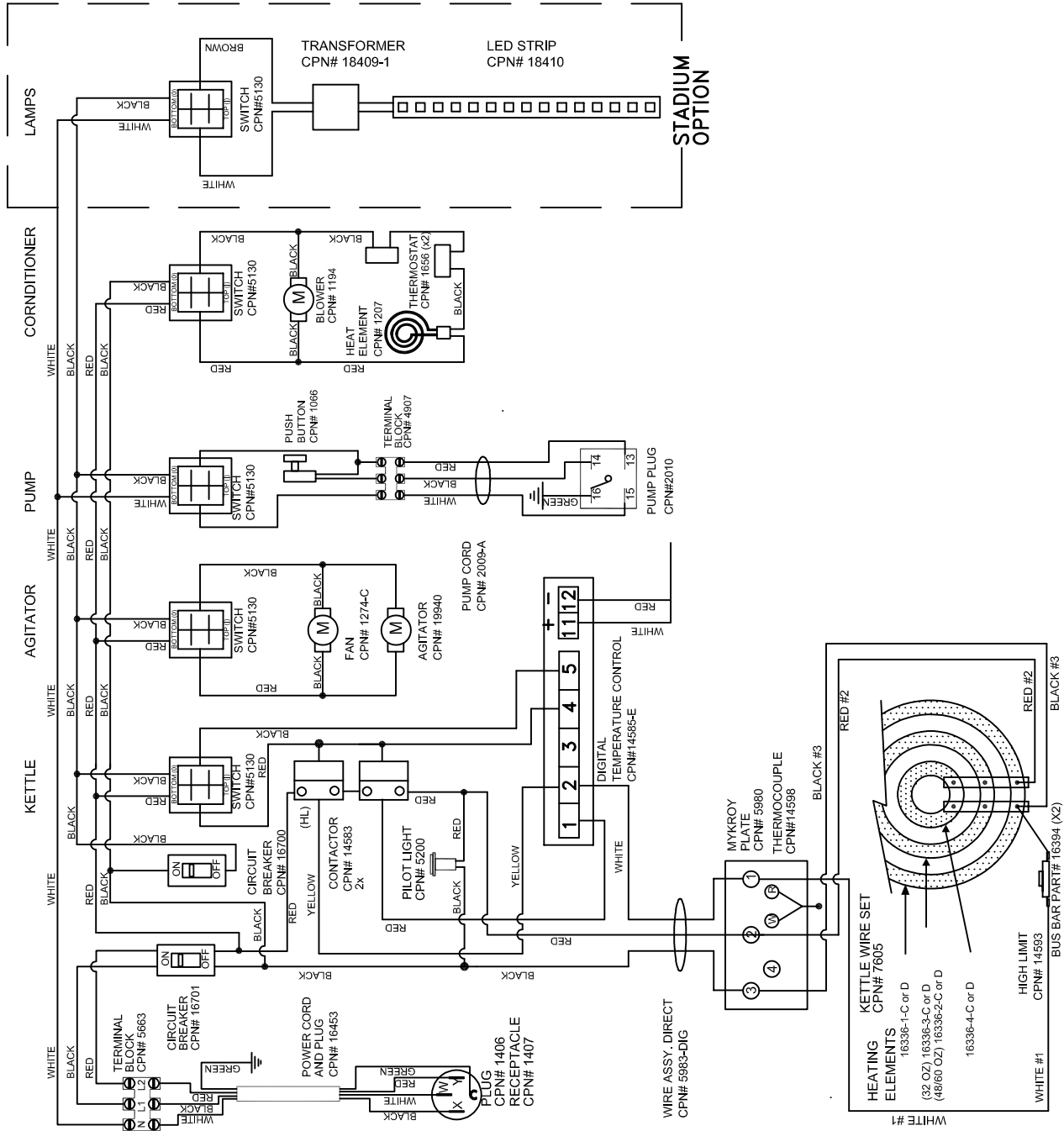


PRESIDENT 32,48,60 OZ KETTLE DIGITAL OPEN TOP / STADIUM  
 WIRING DIAGRAM - 120/208V OR 120/240V 60HZ  
 BEGINNING SERIAL NO. 1910

DOC: DPRC-Dr8

10/2019



C.CRETORS AND COMPANY  
 170 MITTEL DRIVE  
 WOOD DALE, ILLINOIS 60191  
 PHONE(847)616-6900, (800)228-1885, FAX (847)616-6970  
 WEB SITE: <http://www.cretors.com> Email: [postmaster@cretors.com](mailto:postmaster@cretors.com)

DOC: DPRC-Dr8

