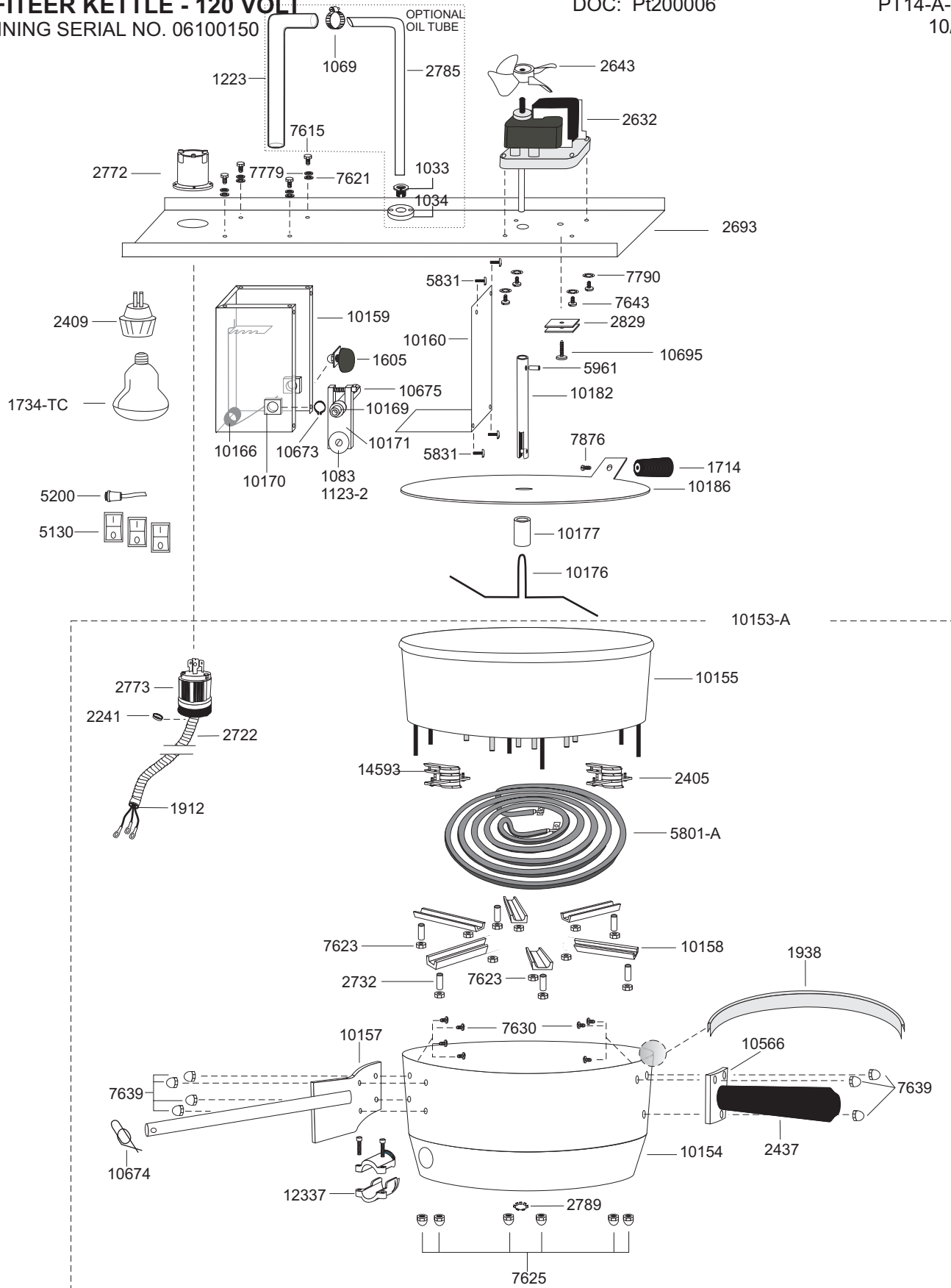


PROFITEER KETTLE - 120 VOLT
 BEGINNING SERIAL NO. 06100150

DOC: Pt200006

PT14-A-2.0-C
 10/2006



PROFITEER KETTLE - 120 VOLT

BEGINNING SERIAL NO. 06100150

DOC: Pt200006

PT14-A-2.0-C

10/2006

1069	HOSE CLAMP	7623	10-32 HEX NUT
1033	DISCHARGE TUBE LOCKNUT	7625	10-32 HIGH CROWN CAP NUT
1034	DISCHARGE TUBE SUPPORT COLLAR	7630	1/4-20 x 1/2" H. H.
1083	SPRING ROLLER	7639	1/4-20 CAP NUT
1123-2	PIVOT STUD WASHER	7643	10-32 x 1/2 BINDING HEAD
1123	TUBING	7779	1/4" SAE FLAT WASHER
1605	RUBBER FOOT W/ HARDWARE	7790	#10 STAR LOCKWASHER
1714	KNOB	7876	10-32 x 1/4" SCREW
1734-TC	250 WATT HEAT LAMP, 120V TEFLON COATED	10153-A	COMPLETE KETTLE ASSY 120V
1912	LARGE FARREL	10154	KETTLE RETAINER
1938	RETAINER GASKET-SOLD PER FT	10155	PAN
2241	INSULATING SLEEVE	10157	KETTLE BRACKET ASSY.
2405	THERMOSTAT	10158	ELEMENT CLAMP
2409	SNAP IN PORCELAIN SOCKET	10159	SUPPORT COLUMN
2632-A	MOTOR - 120 VOLT	10160	COVER PLATE
2643	MOTOR FAN	10166	KETTLE DUMP SPRING
2722	KETTLE WIRE SET	10169	DUMP SHAFT
2732	SPACER - KETTLE	10170	BEARING DUMP SHAFT
2772	RECEPTACLE	10171	LEVELING ARM
2773	PLUG	10176	STIRRER BLADE
2785	DISCHARGE TUBE-PROFITEER/T-3000 PLUS	10177	STIRRER SHAFT WEIGHT
2789	7/8" HOLE COVER	10182	STIRRER SHAFT W/ SET SCREW
2829	MAGNET CATCH - RECTANGULAR	10186	KETTLE COVER
5130	SWITCH - LIGHTED	10566	DUMP HANDLE ASSY.
5200	INDICATOR LIGHT	10673	RETAINING RING
5750	THERMOSTAT	10674	KETTLE SHAFT CLIP
5801-A	1500 WATT, 120V ELEMENT	10675	1/4 -20 x 1 SOCKET HEAD CAP SCREW
5831	8-32 x 1/4 SS TRUSS HEAD W/ NYLOK	10695	10-32 x 1-1/4 PHILLIPS HEAD SS.
5961	SLOTTED SET SCREW	12337	3/8" CONNECTOR NON-ROTATING
7615	1/4-20 x 3/4" HEX BOLT	14593	HIGH LIMIT
7621	1/4" INTERNAL TOOTH LOCKWASHER		

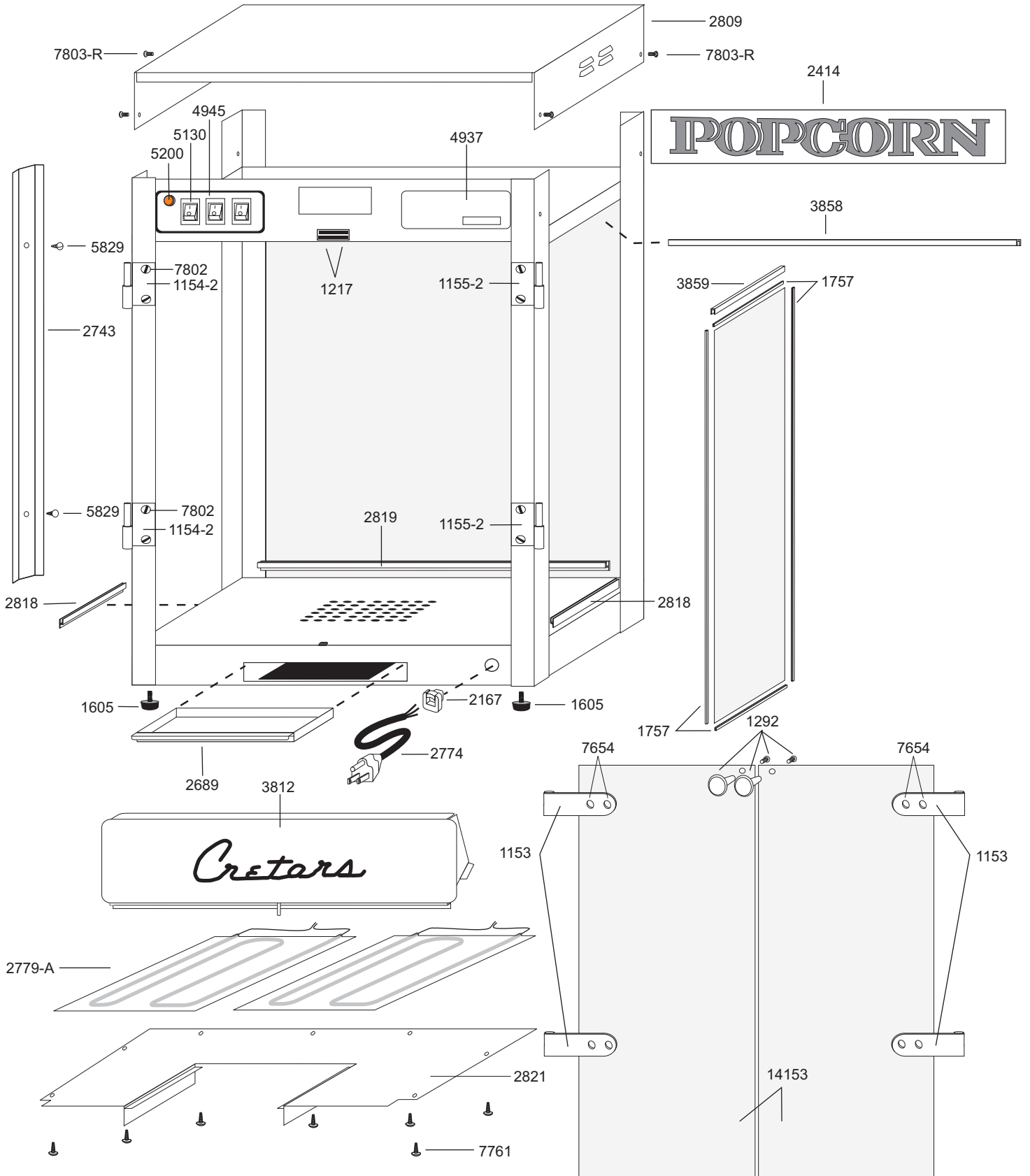
C. CRETORS AND COMPANY

176 MITTEL DRIVE

WOOD DALE, IL 60191

PHONE: (847)616-6900, (800)228-1885, FAX: (847)616-6970

WEB SITE: <http://www.cretors.com>



PROFITEER CABINET 120 VOLTS

BEGINNING SERIAL No. 04083471

DOC: PT300005

PT-A-3.0-B

08/04

1153	DOOR STRAP ONLY	7654	10-24 x 3/8" B.H. W/ NYLOCK
1154	DOOR HINGE & STRAP - LEFT	7761	#6 1/4 SLTD TYPE A - N.P.
1154-2	DOOR HINGE-ONLY - LEFT	14153	PLEXIGLASS DOOR-NS - DRILLED
1155	DOOR HINGE & STRAP - RIGHT		
1155-2	DOOR HINGE-ONLY - RIGHT		
1217	MAGNETIC CATCH RECTANGULAR		
1292	CONCAVE (KNOB) W/ SCREW		
1605	RUBBER FOOT W/ HARDWARE		
1757	GLASS CHANNEL (SOLD PER FOOT)		
2167	CORD GRIP HEYCO		
2414	"POPCORN" DECAL		
2689	CLEAN OUT DRAWER		
2734	INSIDE CORNER		
2743	FRONT INSIDE CORNER		
2774	CORD - 20 AMP, 12-3 NEMA 5 -15 P		
2779-A	HEAT PAD - 120V		
2809	RED VINYL TOP W/ DECAL		
2809-1	RED VINYL TOP ONLY		
2818	GLASS CHANNEL-SS 18-3/4		
2819	EXTRUSION - GLASS CHANNEL 24-3/4		
2821	HEAT PAD COVER		
2823	DOOR KNOB SCREW		
3812	DROP SHELF		
3858	SS CHANNEL - PT/MR FRONT 25-3/8		
3859	SS -CHANNEL - PT14 SIDE 21-7/16		
4937	INSTRUCTION DECAL		
4945	SWITCHPLATE - ROCKER SWITCH		
5130	SWITCH - LIGHTED		
5200	INDICATOR LIGHT		
5829	#6 x 1/2" SHEET METAL SCREW		
7803-R	6-32 x 3/8 PHL PAN - RED		
7802	10-24 x 1/4" B. H. W/ NYLOCK		

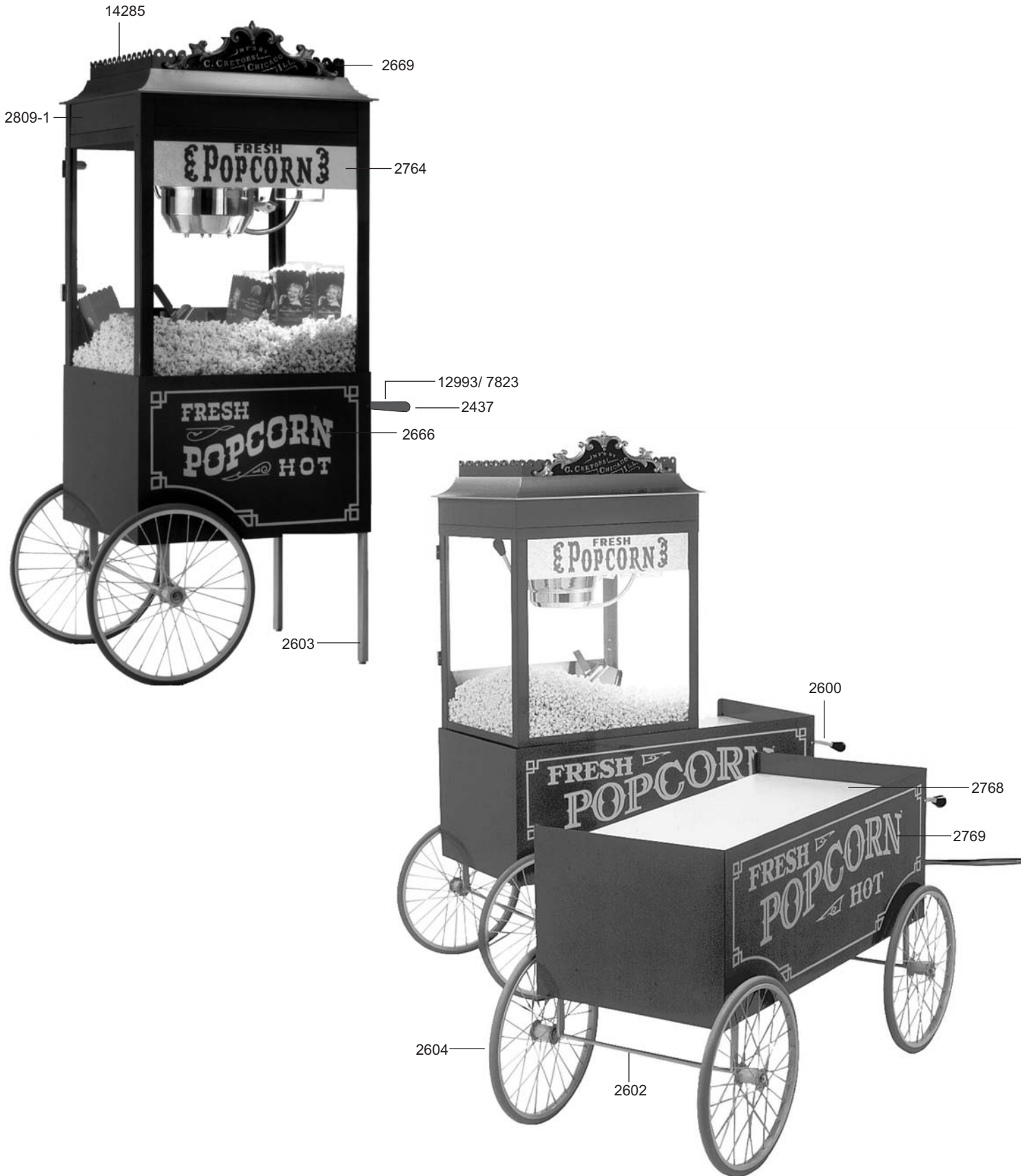
C. CRETORS AND COMPANY

176 MITTEL DRIVE

WOOD DALE, IL 60191

PHONE: (847)616-6900, (800)228-1885, FAX: (847)616-6970

WEB SITE: <http://www.cretors.com>



2437	KNOB
2669	ANTIQUE TOP SIGN-SMALL
2602	ANTIQUE WAGON AXLE
2603	ANTIQUE WAGON LEG
2604-R	WAGON WHEEL
2666	ANTIQUE PROFITEER WAGON DECAL
2764	ANTIQUE PROFITEER GLASS DECAL
2768	ANTIQUE WAGON SHELF
2769	4-WHEEL WAGON DECAL
2809-1	RED TOP - ANTIQUE PT
7823	1/2" MED. SPLIT LOCKWASHER
12993	3/8-16 X 3/4 CARRIAGE BOLT
14285	TRIM-ANTIQUE PROFITEER