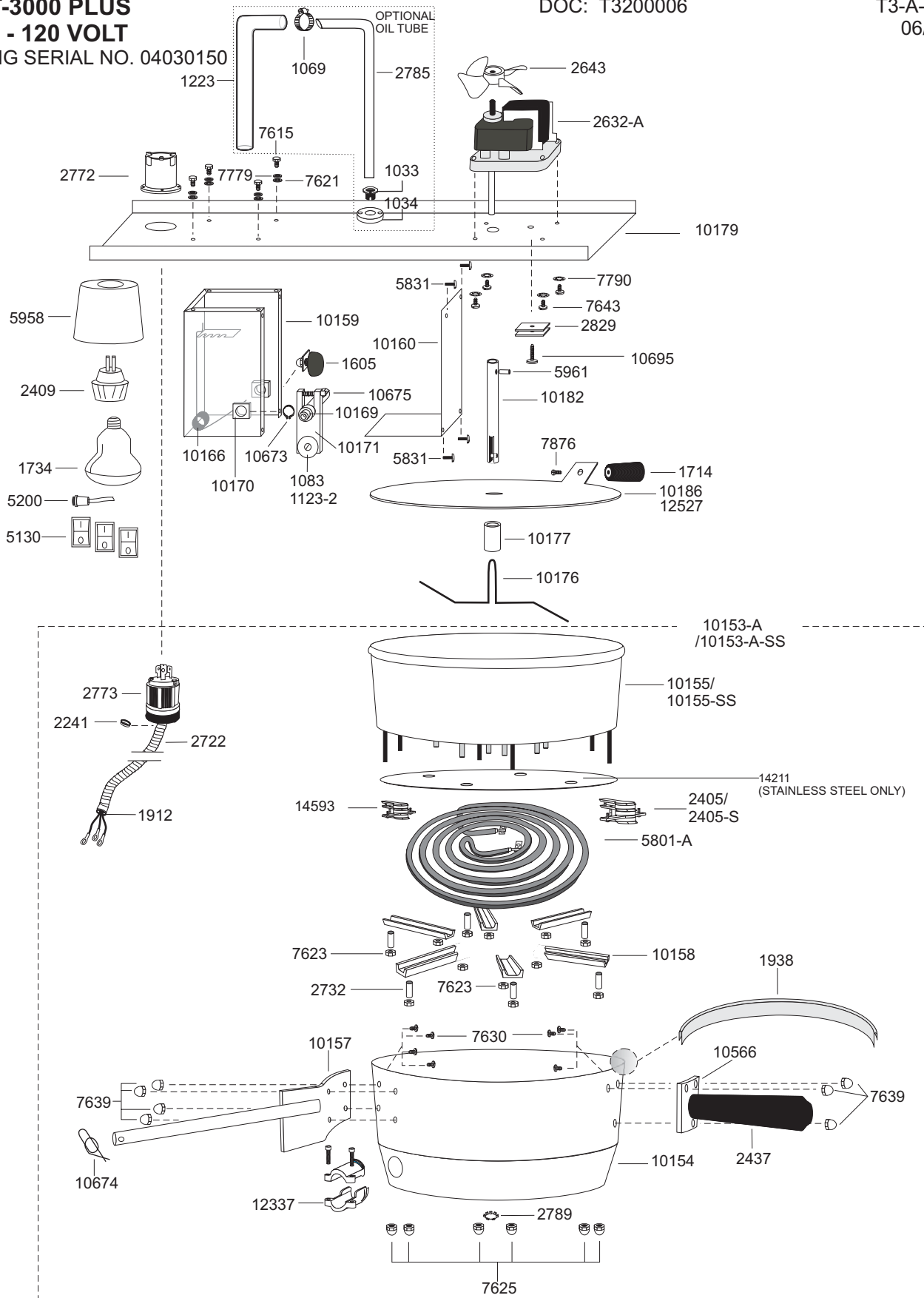


**T-3000/T-3000 PLUS  
KETTLE - 120 VOLT**

BEGINNING SERIAL NO. 04030150

DOC: T3200006

T3-A-2.0-B  
06/2005



**T-3000/T-3000 PLUS****KETTLE - 120 VOLT**

BEGINNING SERIAL NO. 04030150

DOC: T3200006

T3-A-2.0-B

06/2005

1069	HOSE CLAMP	7639	1/4-20 CAP NUT
1033	DISCHARGE TUBE LOCKNUT	7643	10-32 x 1/2 BINDING HEAD
1034	DISCHARGE TUBE SUPPORT COLLAR	7779	1/4" SAE FLAT WASHER
1083	SPRING ROLLER	7790	#10 STAR LOCKWASHER
1123-2	PIVOT STUD WASHER	7876	10-32 x 1/4" SCREW
1123	TUBING	10153-A	COMPLETE KETTLE ASSY 120V
1605	RUBBER FOOT W/ HARDWARE	10154	KETTLE RETAINER
1714	KNOB	10155	PAN
1734	250 WATT HEAT LAMP, 120V	10155-SS	STAINLESS STEEL PAN
1912	LARGE FARREL	10157	KETTLE BRACKET ASSY.
1938	RETAINER GASKET-SOLD PER FT	10158	ELEMENT CLAMP
2241	INSULATING SLEEVE	10159	SUPPORT COLUMN
2405	THERMOSTAT-SALT	10160	COVER PLATE
2405-S	THERMOSTAT-SUGAR	10166	KETTLE DUMP SPRING
2409	SNAP IN PORCELAIN SOCKET	10169	DUMP SHAFT
2632-A	MOTOR - 120 VOLT	10170	BEARING DUMP SHAFT
2643	MOTOR FAN	10171	LEVELING ARM
2722	KETTLE WIRE SET	10176	STIRRER BLADE
2732	SPACER - KETTLE	10177	STIRRER SHAFT WEIGHT
2772	RECEPTACLE	10179	STIFFENER
2773	PLUG	10182	STIRRER SHAFT W/ SET SCREW
2785	DISCHARGE TUBE	10186	KETTLE COVER
2789	7/8" HOLE COVER	10566	DUMP HANDLE ASSY.
2829	MAGNET CATCH - RECTANGULAR	10673	RETAINING RING
5130	SWITCH - LIGHTED	10674	KETTLE SHAFT CLIP
5200	INDICATOR LIGHT	10675	1/4 -20 x 1 SOCKET HEAD CAP SCREW
5801-A	1500 WATT, 120V ELEMENT	10695	10-32 x 1-1/4 PHILLIPS HEAD SS.
5831	8-32 x 1/4 SS TRUSS HEAD W/ NYLOK	12337	3/8" CONNECTOR NON-ROTATING
5958	LAMP GUARD	12527	COVER- T-3000 PLUS (OIL HOLE)
5961	SLOTTED SET SCREW	14211	DIFFUSER PLATE
7615	1/4-20 x 3/4" HEX BOLT	14593	HIGH LIMIT
7621	1/4" INTERNAL TOOTH LOCKWASHER		
7623	10-32 HEX NUT		
7625	10-32 HIGH CROWN CAP NUT		
7630	1/4-20 x 1/2" H. H.		

---

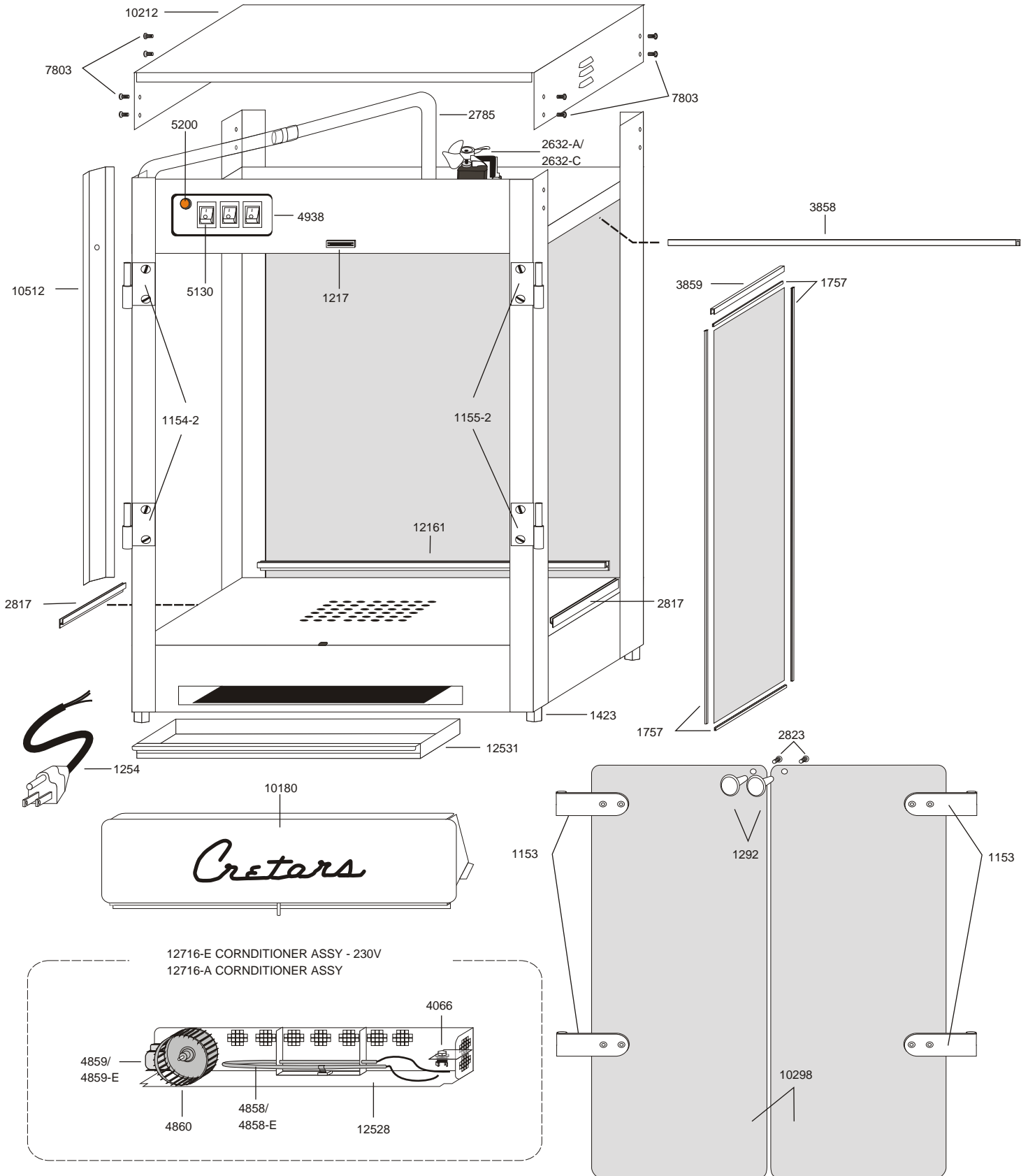
**C. CRETORS AND COMPANY**

176 MITTEL DRIVE

WOOD DALE, IL 60191

PHONE: (847)616-6900, (800)228-1885, FAX: (847)616-6970

WEBSITE: <http://www.cretors.com>



1153DOOR STRAP ONLY	CORNDITIONER ASSEMBLY
1154DOOR HINGE & STRAP - LEFT	4066THERMOSTAT
1154-2DOOR HINGE-ONLY - LEFT	12716-E CORNDITIONER ASSY.
1155DOOR HINGE - RIGHT & STRAP	12716-A CORNDITIONER ASSY.
1155-2DOOR HINGE-ONLY - RIGHT	12528 CORNDITIONER COVER
1217RECTANGULAR MAGNETIC CATCH	4858ELEMENT CORN. 400W
1254POWER SUPPLY CORD	4858-EELEMENT CORN. 400W - 230V
1292CONCAVE (KNOB) W/ SCREW	4859MOTOR
1296ROUND MAGNETIC CATCH	4859-EMOTOR - 230V
1423COUNTER LEG	4860BLOWER MOTOR WHEEL
1433 RUBBER TIPS	
1757GLASS CHANNEL (SOLD PER FOOT)	
2167CORD STRAIN RELIEF	
2414"POPCORN" DECAL (NOT SHOWN)	
10298PLEXIGLASS DOOR	
2817EXTRUSION GLASS CHANNEL-SS - 18-3/4	
2823DOOR KNOB SCREW	
3859SS - 20-3/810 CHANNEL	
4938SWITCHPLATE DECAL	
10576INSTRUCTIONS-	
2632-A MOTOR AGITATOR - 120V	
2632-C MOTOR AGITATOR - 230V	
10512FRONT INSIDE CORNER	
12531 CLEAN OUT DRAWER	
10180 DROP SHELF	
2448-A HEAT PAD 120V	
2448-E HEAT PAD 230V	
5130SWITCH - LIGHTED	
5200INDICATOR LIGHT	
2785DISCHARGE TUBE	
7803 6-32 X 3/8 PHIL. PAN HEAD	