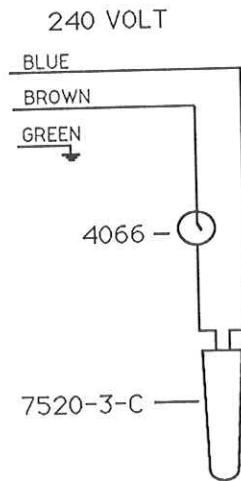
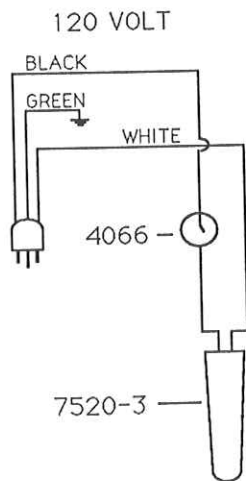
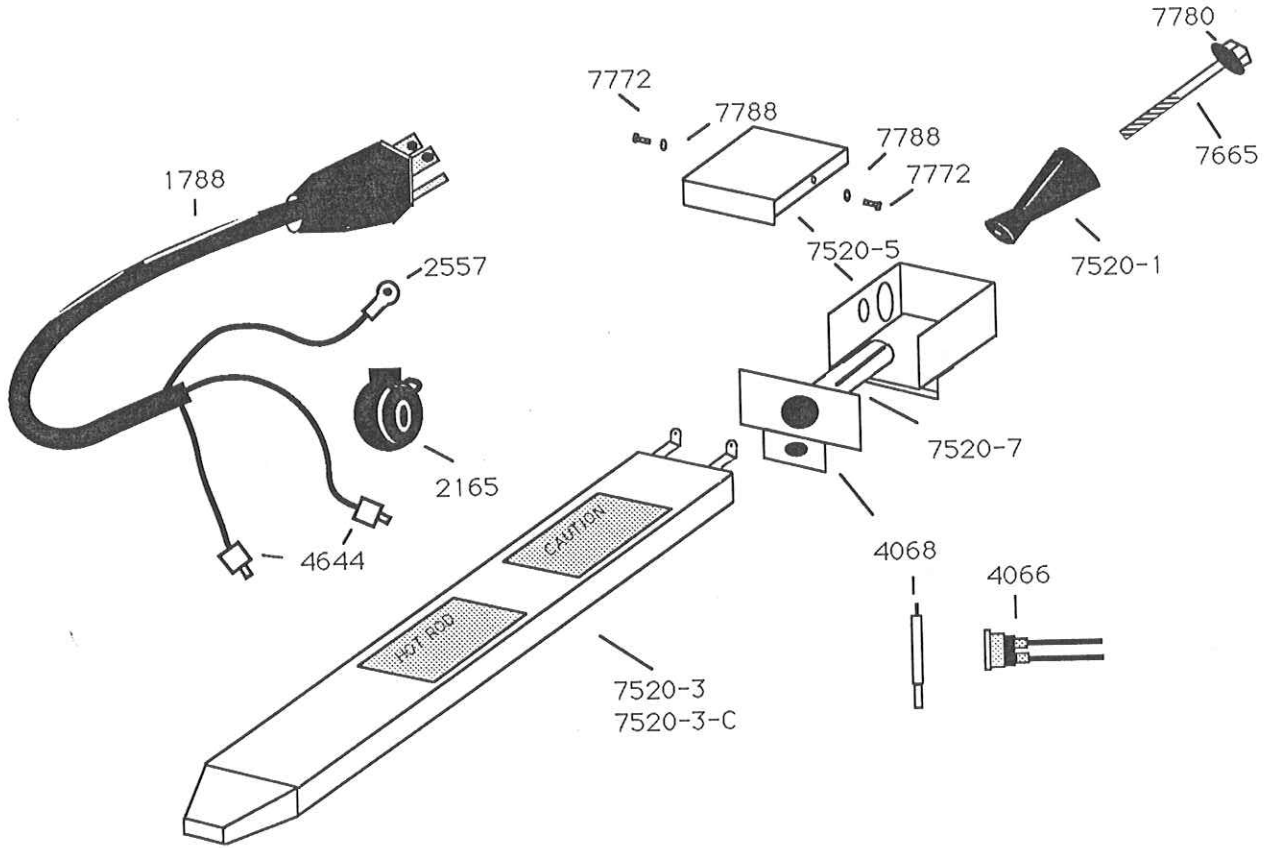




HOT ROD
Part No. 7520
120volt, 400
Watts or
7520-C 230 Volt



- 1788 CORD SET (120 VOLT)
EXPORT CORD OPTIONS:
2854 10 AMP INTERNATIONAL CORD WITHOUT PLUG
1254-NZ CORD SET (AUSTRALIA, NEW ZEALAND)
2852 10 AMP EUROPEAN CORD SET (CONTINENTAL EUROPE)
2848 10 AMP ENGLISH CORD SET
- 2165 CORD STRAIN RELIEF
- 2557 3/8 X 16 WIRE TERMINAL
- 4066 THERMOSTAT
- 4068 THERMOSTAT CLAMP
- 7520-1 WOOD HANDLE
- 7520-3 HEAT ELEMENT (120 VOLT)
EXPORT HEAT ELEMENT:
7520-3-C HEAT ELEMENT (220 VOLT, 50 HZ)
- 7520-5 WIRE BOX
- 7520-7 WIRE BOX SPACER
- 7665 3/8-16 x 9" HEX BOLT
- 7772 6-32 x 1/4 BINDING HEAD
- 7780 5/16 FLAT WASHER
- 7788 #6 INTERNAL TOOTH LOCKWASHER 7520-8 THERMOSTAT KIT:

TO CONVERT HOT RODS WITHOUT THERMOSTATS USE (7520-8) THERMOSTAT KIT, WHICH INCLUDES:
QTY-PART NO.

- 1 - 4066 - THERMOSTAT
- 1 - 4068 - THERMOSTAT CLAMP
- 1 - 7520 - 7 - WIRE BOX SPACER (NEW STYLE)
- 1 - 2657 - BLK - #16 STRANDED COPPER WIRE
- 2 - 4644 - TERMINAL - 1/4" DOUBLE GRIP