



We invented the popcorn machine
THEN JUST KEPT GOING!

176 MITTEL DRIVE, WOOD DALE, IL 60191

Bag In Box TOPPER

**120 Volt,
Single Phase, 60 Cycle**

**230 Volt,
Single Phase, 50 Cycle**



READ and UNDERSTAND these operating, servicing, and safety instructions before operating or servicing this machine

SAFETY FIRST



The information in this manual is essential for the safe installation and maintenance of your Cretors topping dispenser machine. The manual must be read and understood before installing, operating or maintaining this equipment, or equivalent training must be provided.



"The employer shall instruct each employee in the recognition and avoidance of unsafe conditions and the regulations applicable to his work environment to control or eliminate any hazards or other exposure to illness or injury". Ref.: 29 CFR 1926.20 (b)(4)(a)(2)



It is understood that safety rules within individual companies vary. If a conflict exists between the safety procedures contained in this manual and the rules of a using company, the more stringent rule should take precedence.

I INTRODUCTION

This manual is filled with time-saving and money-saving information regarding your Cretors machine. There is nothing, however, more important than the safety aids and warnings that are found throughout this document. The Safety Alert Symbol is used to identify topics of primary safety concern wherever they appear. Furthermore, a separate section has been included which deals exclusively with operation and accident prevention.

If, after reviewing this manual, anything is unclear or technical problems are encountered, contact the dealer from whom you purchased your machine for assistance and if there are any additional questions, feel free to contact our Customer Service Department at the address and/or phone number listed on the back cover of this manual. Always have the model and serial number of your machine available to assist in obtaining the correct information.

II SAFETY ALERT SYMBOL

The symbol shown below is used to call your attention to instructions concerning your personal safety and the safety of others. Watch this symbol. It points out important safety precautions. It means "ATTENTION! Become Alert! Your personal safety is involved!" Read the message that follows and be alert to the risk of personal injury or death.



III PURPOSE OF MANUAL



This instruction manual is intended to familiarize owners with the operation, servicing and safety procedures associated with your Cretors machine.



This manual should be kept available to operating and maintenance personnel.



A person who has not read and understood all operating and safety instructions is not qualified to operate the machine.

IV PRODUCT IDENTIFICATION

CRETORS BAG IN BOX TOPPING DISPENSER

ELECTRICAL SPECIFICATIONS: Bag In Box Butter Topping Dispensers are available in any of the following Electrical configurations:

120 Volt, Single Phase, 60 Cycle
230 Volt, Single Phase, 50 Cycle

MODEL (9105)	BAG IN BOX TOPPER DISPENSER
BIB TOPPER	
Capacity:	Two 35 lb. Boxes of Topping Product (2 x 15.87 kg. Boxes of Topping Product)
Electrical:	500 watts
Dimensions:	
DISPENSING HEAD	10-3/4 "D x 3-1/2 "W x 18 " H 27.3 cm D x 8.8 cm W x 45.7 cm H
Shipping Weight:	10 lbs.
Dimensions:	
BAG IN BOX PUMP	18-1/4 "D x 14-3/4 "W x 16-1/2 " H 46.3 cm D x 37.5 cm W x 41.9 cm H
Shipping Weight:	36 lbs.

MODEL (4661)	CABINET BASE
BIB BASE	
Optional Cabinet Base:	22 "D x 28 "W x 29.5 " H 55.8 cm D x 71.1 cm W x 74.9 cm H
Shipping Weight:	94 lbs. (43 kg.)

V THEORY AND OBSERVATIONS OF THE BAG IN BOX TOPPING DISPENSER OPERATION

The Bag In Box Topping Dispenser is the finest, most advanced and durable Topping Dispenser Machine on the market. The very best materials and parts including the latest components in heat control have been used in its construction. All machines are tested, and are mechanically and electrically sound when they leave the factory.

The Bag in Box Topping Dispenser is a remote controlled pump which delivers an appropriate amount of topping directly onto the product. The Bag In Box Topping Pump has been designed as a unit that will support two 35 pound boxes of topping on heated shelves. A flexible heated hose with a quick connects the pump to the dispensing head. Topping is dispensed from the dispensing head by pushing the metal touch pad on the front of the head.

VI CONTROLS

Bag In Box Shelf Unit

LIGHTED ROCKER SWITCH -Turns heat ON/OFF in Bag In Box Shelf Unit

Bag In Box Dispenser Head

DISPENSING BUTTON -Dispenses various portions of topping product from head

VII INSTALLATION INSTRUCTIONS

1. Location

Choose a location for your Cretors machine to maximize the ease of operation and maintenance procedures. Check your local building and fire codes for location restrictions.

2. Unpacking

After the Bag In Box Topping Dispenser Head is unpacked, find a location to install. The Bag In Box Pump Unit should be located beneath the Dispenser Head.

3. Installation

In Existing Counter:

A hole must be cut in an existing counter to accommodate the Dispenser Head and connector. Cretors has included a diagram in this manual which should be used to cut the holes.

The Pump with heated shelves which holds the boxes of topping is installed beneath the counter and connected to the dispensing head.

In Optional Cabinet:

Place Dispenser Head into opening on top of cabinet. Heated Pump unit is placed in cabinet beneath. Heated hose connector connects the dispensing head to Pump quick connect out put which is located on the left side of the heated shelves.

3. Power Supply

Check the nameplate to determine the required power supply. The Bag in Box Topping Dispenser is available in either a 120 V outlet or 230 V models. The Bag In Box Topping Dispenser pump is designed to operate on a standard 15 amp circuit.



Connect your Bag In Box Topping Dispenser only to the correct power source. Failure to do so may result in personal injury or death and may damage your machine.



Make certain the Rocker Switch on the Bag In Box Topping Dispenser Pump Unit is in the 'OFF' position when plugging into power source. The Rocker Switch is 'OFF' when the Rocker Switch is not lit. Failure to do so may result in personal injury or death and may damage your machine.

4. Priming the Pump

After connecting the hose to the Bag In Box of Topping, be certain you have allowed topping to fill the hose before connecting to BIB inlet quick connect. Doing this will enable the pump to be primed.



Failure to do so will result in topping / oil not pumping and could possibly overheat the pump motor.

Depress dispensing button for approximately 1-2 minutes until oil /topping is freely running through the system.

VIII SERVICE INSTRUCTIONS



In the case of improper operation, qualified personnel only should perform the following diagnostic checks, and, if necessary, corresponding adjustments and repairs. Many of the following procedures present an electrical shock hazard and can cause serious injury or death.

1. Parts

When ordering parts, refer to the attached parts diagram. Always supply the serial number, model number, and voltage of your BIB Topper machine.

IX TROUBLE SHOOTING

1. Problem - Unit does not dispense.

QUESTION: Is the Rocker Switch lit ?

NO! Check power supply:

- A. Is it plugged in?
- B. Is the receptacle live?

- C. Is machine plugged into the proper voltage? Measure with voltmeter and compare to specification on nameplate of machine.



Do not attempt electrical repairs on the power supply circuit unless you are qualified to do so. The electrical shock associated with line voltages can cause serious injury or death.

YES! Problem is in machine. Check red dispensing button (Black dispensing button for 230V)

- A. Unplug machine.
- B. Remove four screws that hold the back plate in place.
- C. Remove back plate.
- D. Using multimeter, check the continuity on the dispensing button when depressed.
 - a. If no - replace dispensing button.

YES!

- A. Check for topping in the box - exchange.
- B. Check tubing for restrictions. Was pump primed properly?
- C. Check connector - is it properly installed?
- D. Check quick connectors. Are they clogged? Refer to cleaning procedure.

2. Problem - Unit Dispenses, but topping not warm.

Check power going to the heat element located inside dispensing head.

If power to element and no heat, change element.



Do not attempt electrical repairs on the power supply circuit unless you are qualified to do so. The electrical shock associated with line voltages can cause serious injury or death.

X OPERATING INSTRUCTIONS



1. Do not attempt to operate your Cretors Bag In Box Topping Dispenser until you have read and understood this manual. Failure to do so may result in serious injury or death.



2. Do not attempt to operate your Cretors Bag In Box Topping Dispenser unless the installation instructions have been strictly adhered to. Failure to do so may result in serious injury or death.

3. Turn Rocker Switch "OFF" and plug the cord into the proper outlet with the correct electrical supply as specified on the nameplate.



4. Operate your Bag In Box Topping Dispenser Machine only if it is in sanitary condition (see SANITATION INSTRUCTIONS). Failure to do so may result in illness to your customers.

XI SANITATION INSTRUCTIONS



Do not clean heated surfaces until they have been given sufficient time to cool. Failure to do so may result in serious burns.

Cretors recommends the Bag In Box Topper Cleaning System Kit. The cleaning procedure is necessary to maintain optimal performance of the BIB Topper System. This procedure should be performed periodically. Cleaning requirements will vary depending upon the types of topping oils being used.



Failure to complete the periodic cleaning will result in a complete clog. This may require that the unit be completely dis-assembled for cleaning.

1. Preparation

- a. Turn 'ON' Rocker Switch one hour before cleaning unit to allow system to heat.
- b. Fill cleaning tank to the $\frac{1}{4}$ line with hot tap water (135° F) (60°C).
- c. Pump to 40 PSI (see PSI numbers indicated on the side of a small rising cap valve at top of bottle).

2. Topper Cleaning

- a. Place bucket under dispensing head.
- b. Disengage bag connector from bag
- c. Disengage the hose leading from the bag to the pump at the base of the pump using the quick connect. Unplug black heater cord.



Oil may drain from hose when disconnected.

- c. Attach hose from BIB Cleaning System to base of BIB unit.
- d. Depress and lock the hand valve to flush hot water through the system.
- e. Push topping Dispense Button to begin cleaning process. Oil and water will begin discharging from dispensing head. Allow the system to drain all water and air from tank. (approximately 30 seconds)
- f. If oil and water do not begin to discharge from dispensing head, the pump is completely clogged. To loosen the clog, do the following:
 - 1) Using a hair dryer, blow hot air onto all the joints around the pump mechanism.
- h. Disconnect cleaning tank upon completion.

3. Hose Cleaning

- a. Remove black heater cord from hose before cleaning.



Failure to do so will result in damage to the heater cord.

- b. Take unconnected portion of hose with connector to sink to drain. Allow hot water to run in bag connector area for cleaning.
- c. After rinsing, re-insert black heater cord back between metal and hose. For proper connection, plug must be opposite the plastic bag connector.

4. Reconnect Topper

- a. Reconnect hose onto bag/box using plastic connector.
- b. Hold hose below connection level to allow oil to fill hose. Oil will begin to flow back into hose upon proper connection.
- c. Attach loose end of hose back to base of pump after hose is full of oil.
- d. Plug heated cord back into unit.
- e. Depress the dispensing head "Press to Pump" button for about one minute until oil runs freely from system. Allow oil to flush any remaining water from the system prior to removing bucket.
- f. Clean off all areas. System is ready for customer use.

SAFETY FIRST



The information in this manual is essential for the safe installation and maintenance of your Cretors machine. The manual must be read and understood before installing, operating or maintaining this equipment, or equivalent training must be provided.



"The employer shall instruct each employee in the recognition and avoidance of unsafe conditions and the regulations applicable to his work environment to control or eliminate any hazards or other exposure to illness or injury". Ref.: 29 CFR 1926.20 (b)(4)(a)(2)



It is understood that safety rules within individual companies vary. If a conflict exists between the safety procedures contained in this manual and the rules of a using company, the more stringent rule should take precedence.

This manual is filled with time-saving and money-saving information regarding your Cretors machine. There is nothing, however, more important than the safety aids and warnings found throughout this document.

If you have any questions, contact your local dealer and if there are any additional questions, feel free to contact the Customer Service Department at C. Cretors and Company.

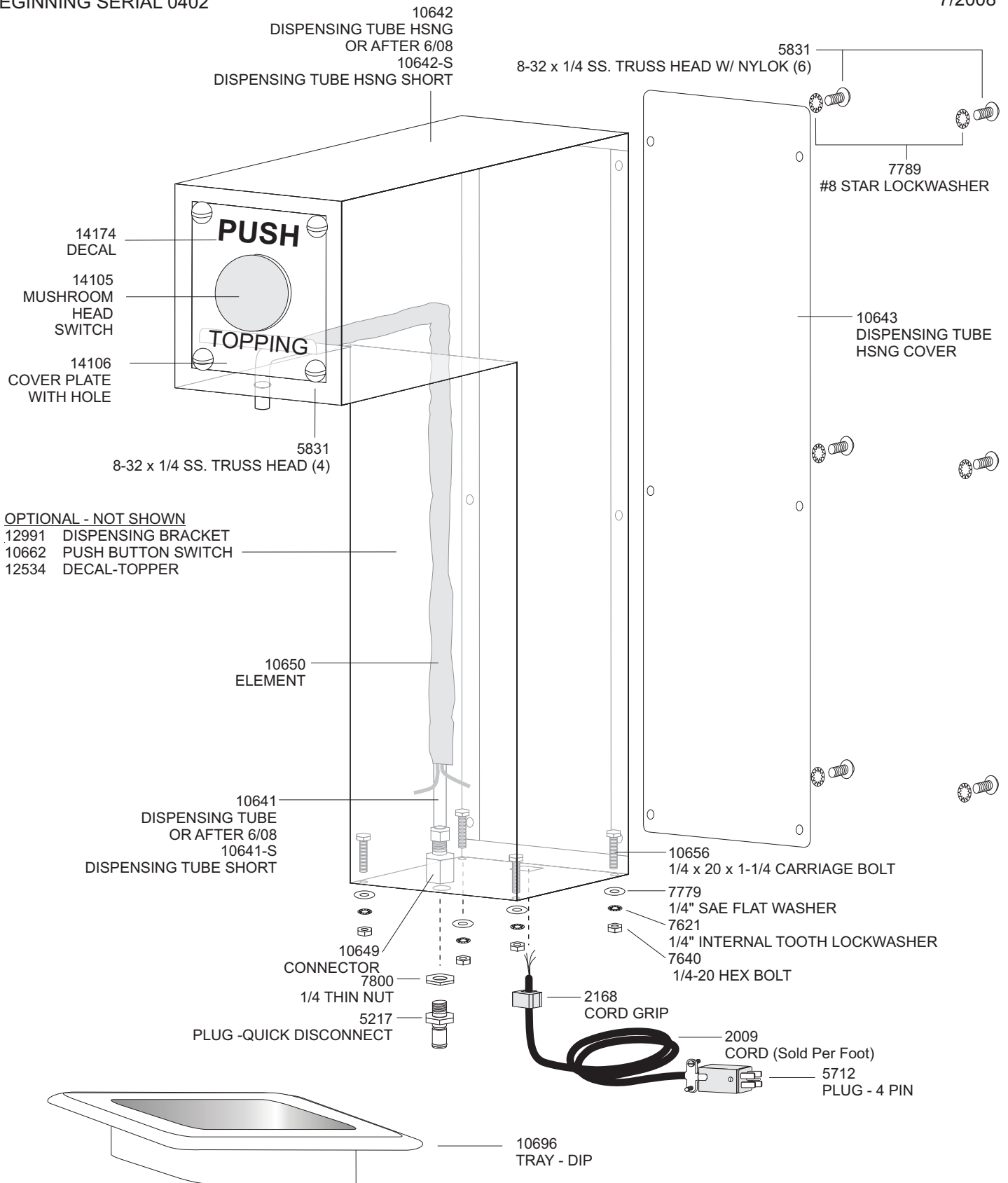
Additional copies of this manual can be obtained from C. Cretors and Company at the address listed below. Please provide model and serial number when requesting additional copies of this manual. There will be a nominal charge for additional copies.

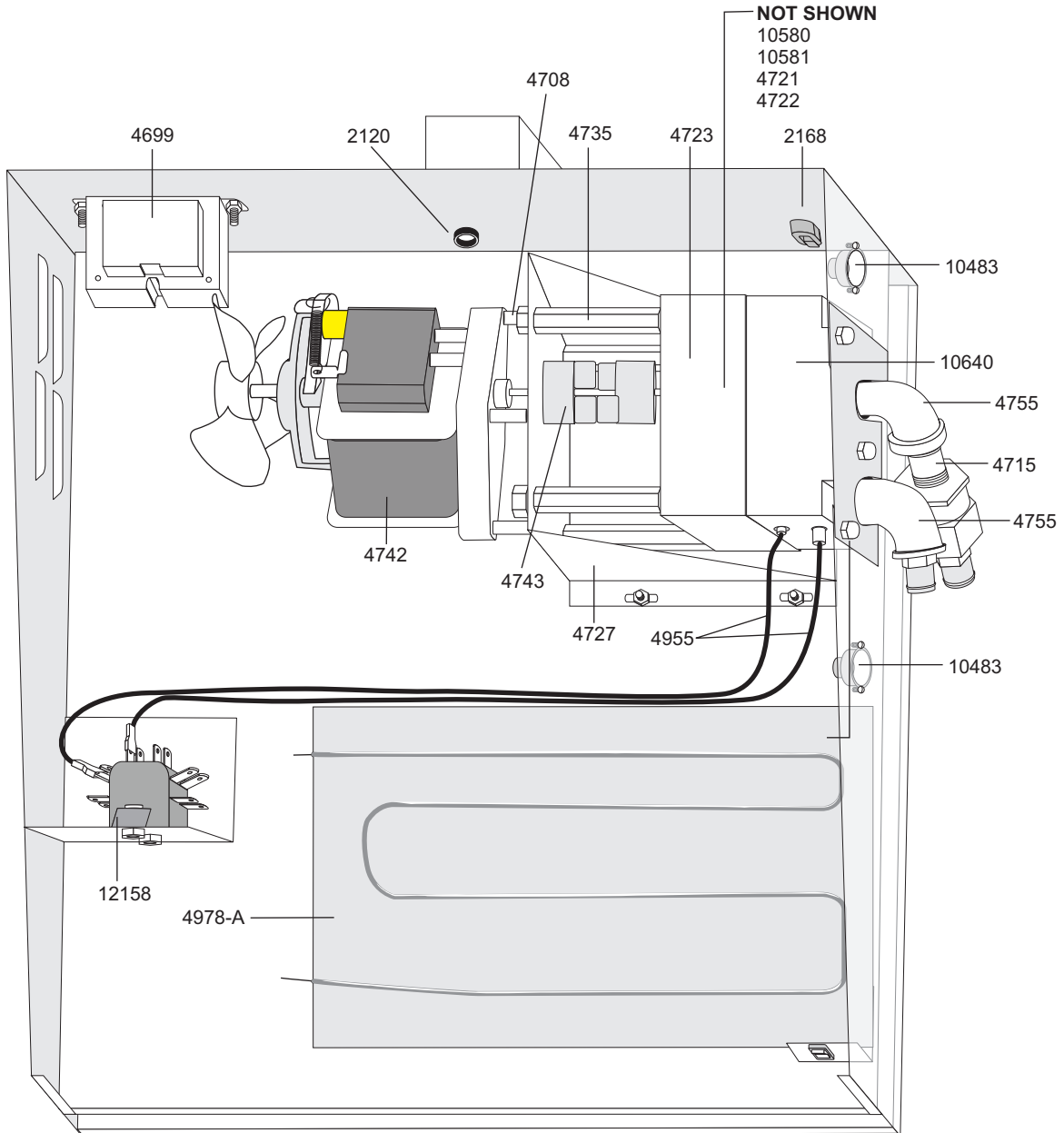
Cretors guarantees this machine to be free of defects in parts, materials and workmanship for one year. Please take this time to fill out the factory registration card and return it to the factory to activate your warranty. If you have any questions concerning the Cretors' warranty, please contact your local dealer or the Customer Service Department at C. Cretors and Company.



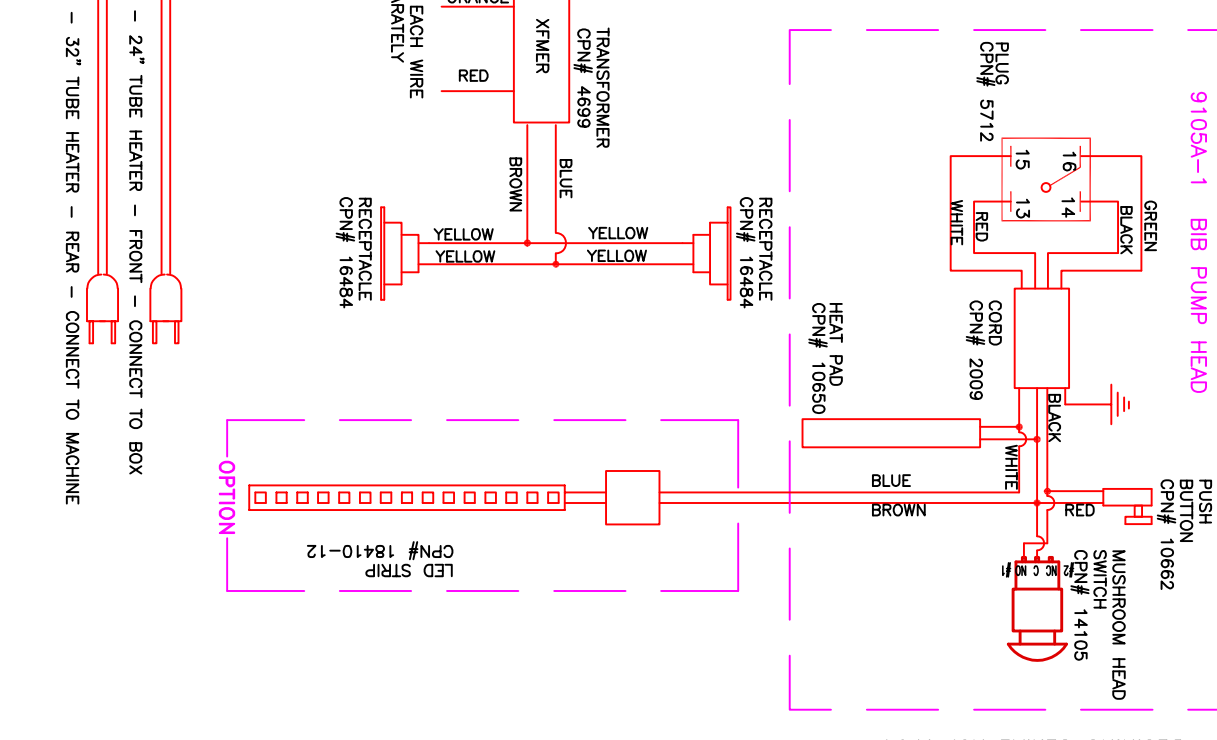
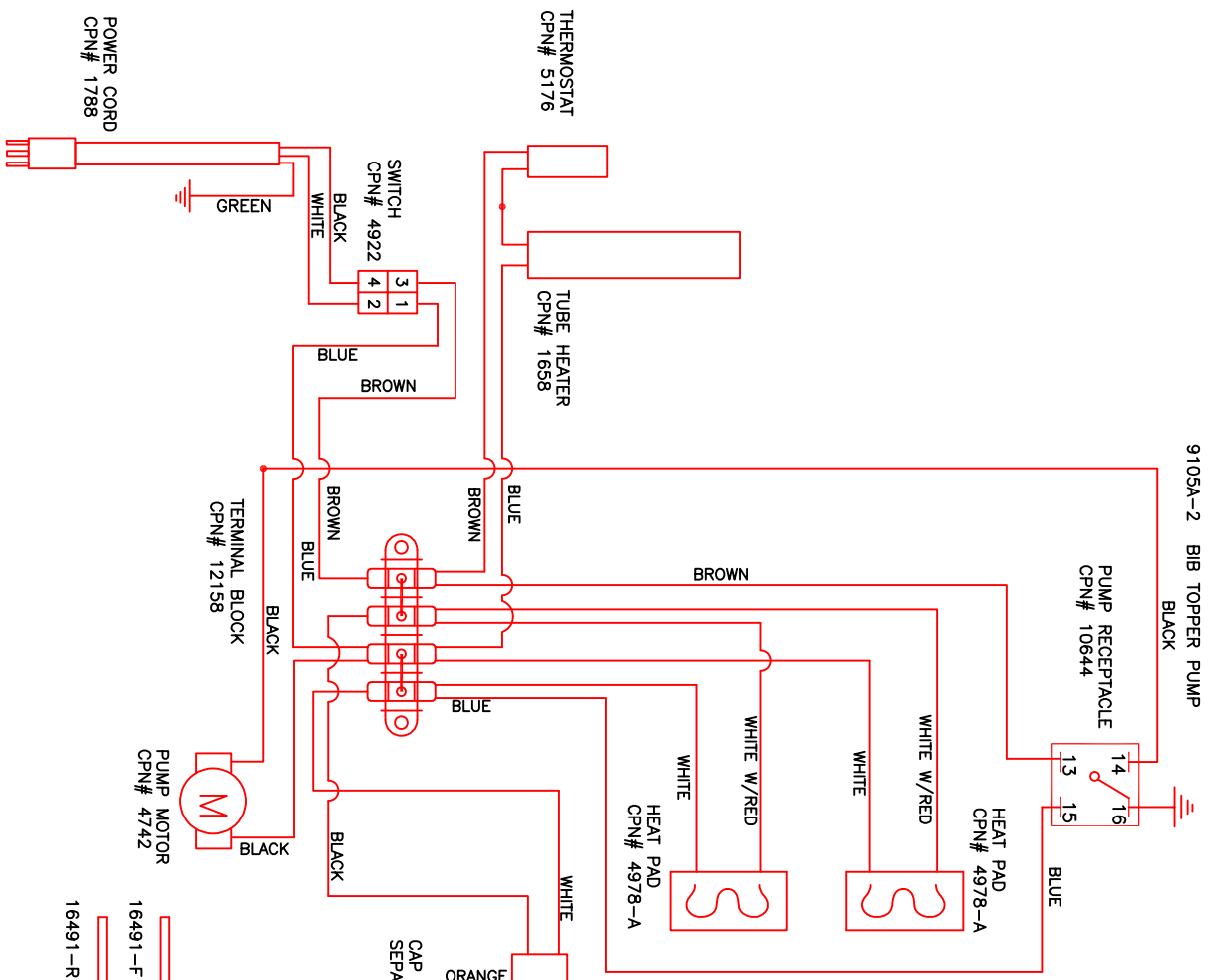
**We invented the popcorn machine
THEN JUST KEPT GOING!**

C. CRETORS AND COMPANY
176 MITTEL DRIVE
WOOD DALE, IL 60191
PHONE (773) 588-1690, (800) 228-1885, FAX (847) 616-6970
WEB SITE: <http://www.cretors.com> Email: postmaster@cretors.com





- | | | | |
|--------------------------|-------------------------|-------------------|----------------------------------|
| 2120 | BUSHING - HEYCO | 4978-A | HEAT PAD |
| 2168 | CORD GRIP | 10640 | PUMP FACE PLATE |
| 4699 | TRANSFORMER | 10483 | RECEPTACLE ASSEMBLY |
| 4708 | SPACER | NOT SHOWN | |
| 4715 | NIPPLE | 4721 | O RING |
| 4732 | PUMP BODY | 4722 | SEAL |
| 4735 | SPACER | 10580 | SS GEAR & SHAFT ASSEMBLY (SHORT) |
| 4742 | MOTOR | 10581 | SS GEAR & SHAFT ASSEMBLY (LONG) |
| 4743 | COUPLING CDC PUMP ASSY. | | |
| 4755 | ELBOW - 90 DEGREE | | |
| 4955 | CDC PUMP HEATER | | |
| 12158 | TERMINAL BLOCK | | |
| BREAKDOWN OF 4955 | | | |
| | 5176 | THERMOSTAT TYPE J | |
| | 1658 | HEATER TUBULAR | |



BAG-N-BOX TOPPER
 WIRING DIAGRAM - 120V 60HZ
 BEGINNING SERIAL No. 1704

DOC: B1BTA2

04/2017

C.CRETORES AND COMPANY
 170 MITTEL DRIVE
 WOOD DALE, ILLINOIS 60191
 PHONE(847)616-6900, (800)228-1885, FAX (847)616-6970
 WEB SITE: http://www.cretors.com
 Email: postmaster@cretors.com