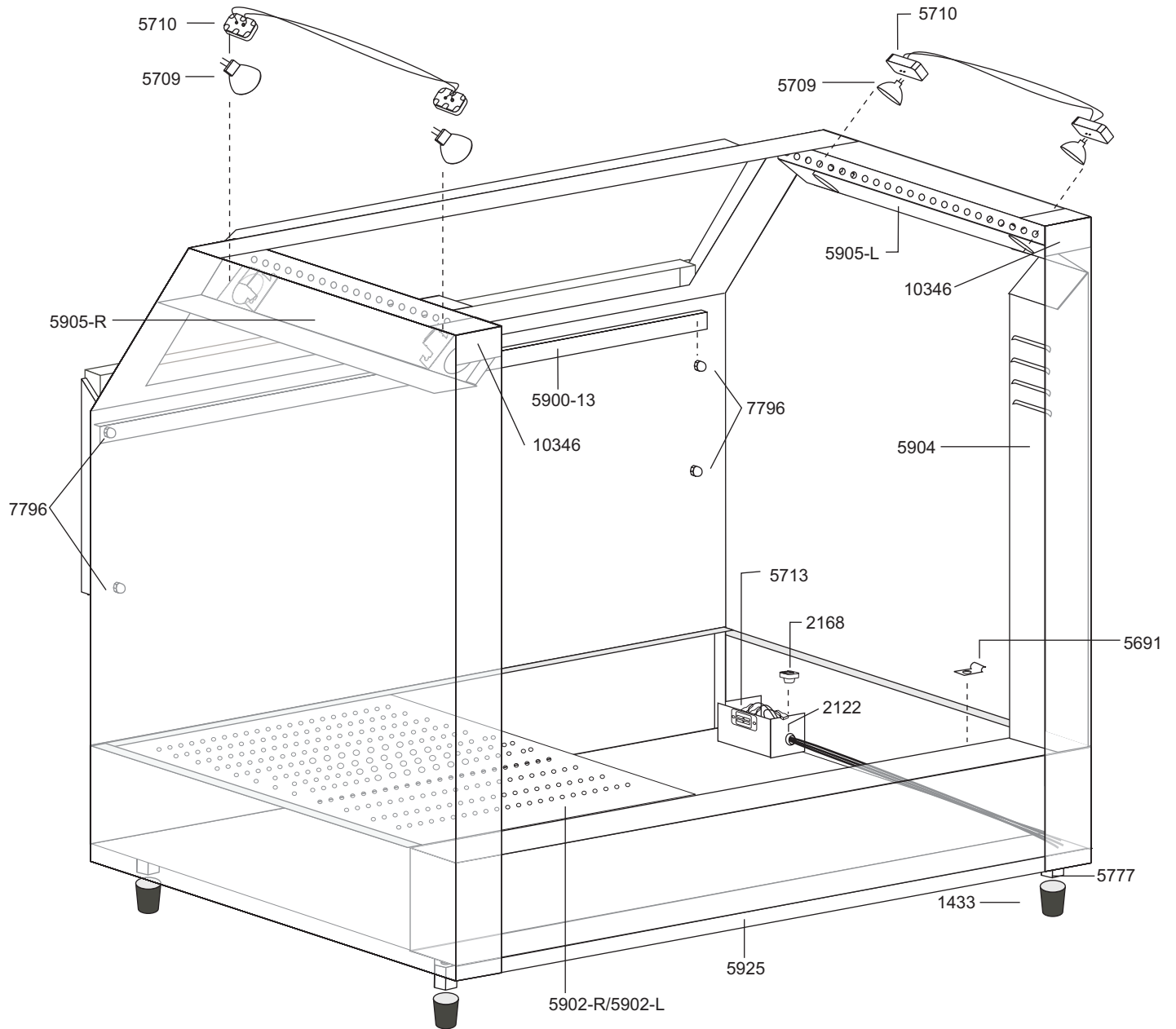


COUNTER SHOWCASE WARMER
230V/50 HZ - 20/36/48"
INSIDE BACK VIEW
BEGINNING SERIAL 98000000

DOC: CSW30005

CSW-E-3.1-B
03/06



COUNTER SHOWCASE WARMER
230V/50 HZ - 20/36/48"

DOC: CSW30005

CSW-E-3.1-B
03/06

INSIDE BACK VIEW

BEGINNING SERIAL 98000000

1433	RUBBER TIP	5904	AIR DUCT
2122	HEYCO BUSHING	5905-L	LIGHT COVER-LEFT
2168	CORD GRIP HEYCO	5905-R	LIGHT COVE-RIGHT
5691	CLAMP	5925	FRONT BOTTOM TRIM
5709	LAMP-HALOGEN	7796	10-24 CAP NUT
5710	SOCKET-HALOGEN	10346	GLASS HOLDER
5713	RECEPTACLE-4 PIN		
5777	LEG		
5900-13	MIRROR CHANNEL 36" (91.44cm)		
5902-R	POPPER CASE BOTTOM-R W/ HOLES 36" (91.44cm)		

OPTIONS

5715	GLASS (35-3/4 x 17-5/16 x 1/4) / (90.81cm x 43.97cm x 0.64cm) CRETORS SHOWCASE WARMER-36" TOP
5716	GLASS (35-3/4 x 20-5/16 x 1/4) / (90.81cm x 51.59cm x 0.64cm) CRETORS SHOWCASE WARMER-36" FRONT
5833-L	GLASS-MIRRORED SIDE-LEFT
5833-R	GLASS-MIRRORED SIDE-RIGHT
5834	GLASS MIRRORED DOOR SIDE OCTAGON
5748	GLASS (19-3/4 x 17-5/16 x 1/4) / (50.17cm x 43.97CM x 0.64cm) CRETORS SHOWCASE WARMER-20" TOP
5749	GLASS (19-3/4 x 20 5/16 x 1/4) / (50.17cm x 51.59cm x 0.64cm) CRETORS SHOWCASE WARMER-20" FRONT
12404	GLASS (47-13/16 x 17-5/16) / (121.45cm x 43.98cm) CRETORS SHOWCASE WARMER-48" TOP
12405	GLASS (47-3/16 x 20-11/32) / (119.89cm x 51.67cm) CRETORS SHOWCASE WARMER-48" FRONT

NOT SHOWN

3715	GLASS CHANNEL-SS. SOLD PER FOOT
5902-L	POPPER CASE BOTTOM-LEFT 36" (91.44cm)
5911-L	POPPER CASE BOTTOM-LEFT-MIRRORED 36" (91.44cm)
5911-R	POPPER CASE BOTTOM-RIGHT-MIRRORED 36" (91.44cm)
10320	GLASS CHANNEL

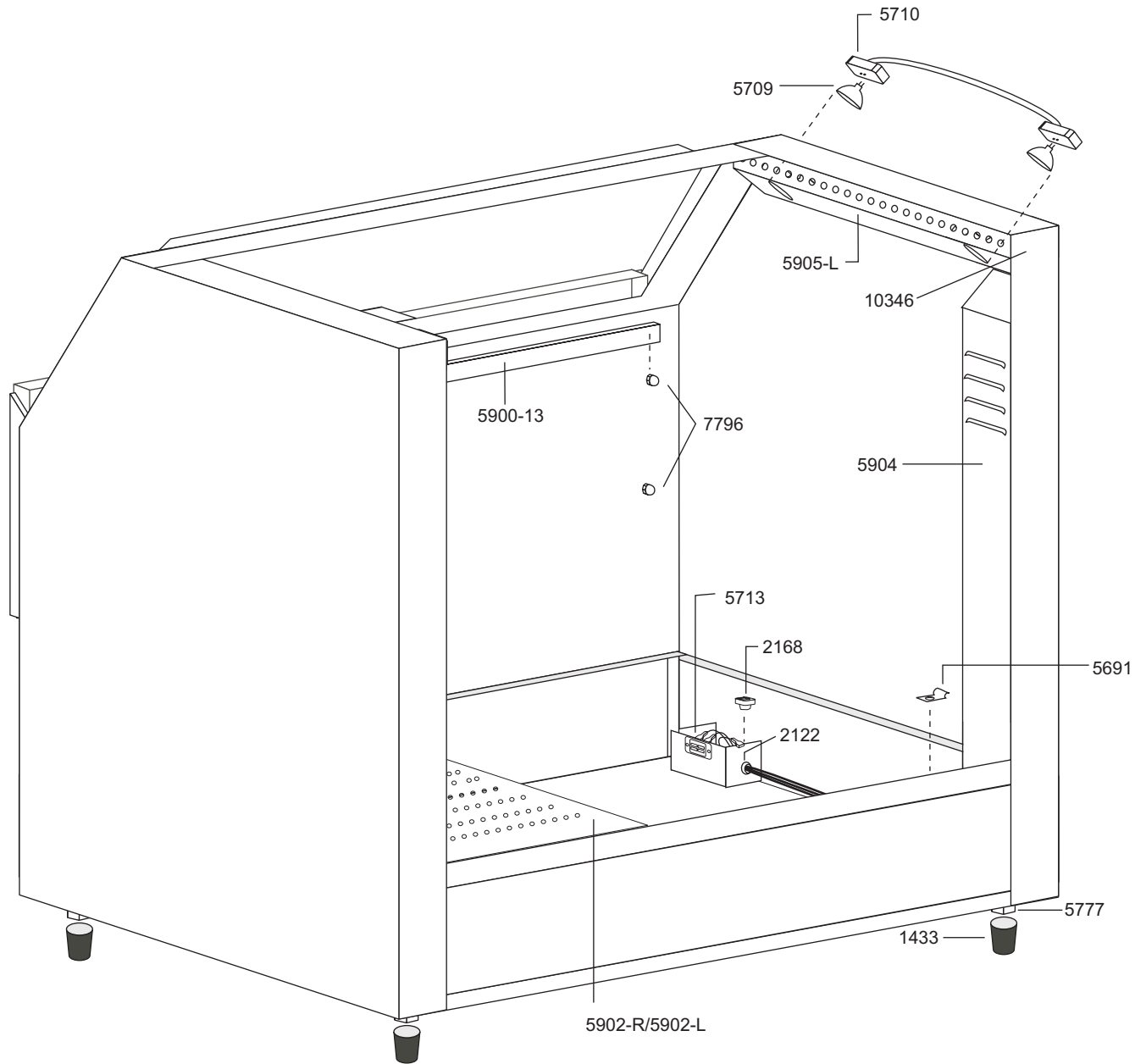
C. CRETORS AND COMPANY
176 MITTEL DRIVE
WOOD DALE, IL 60191

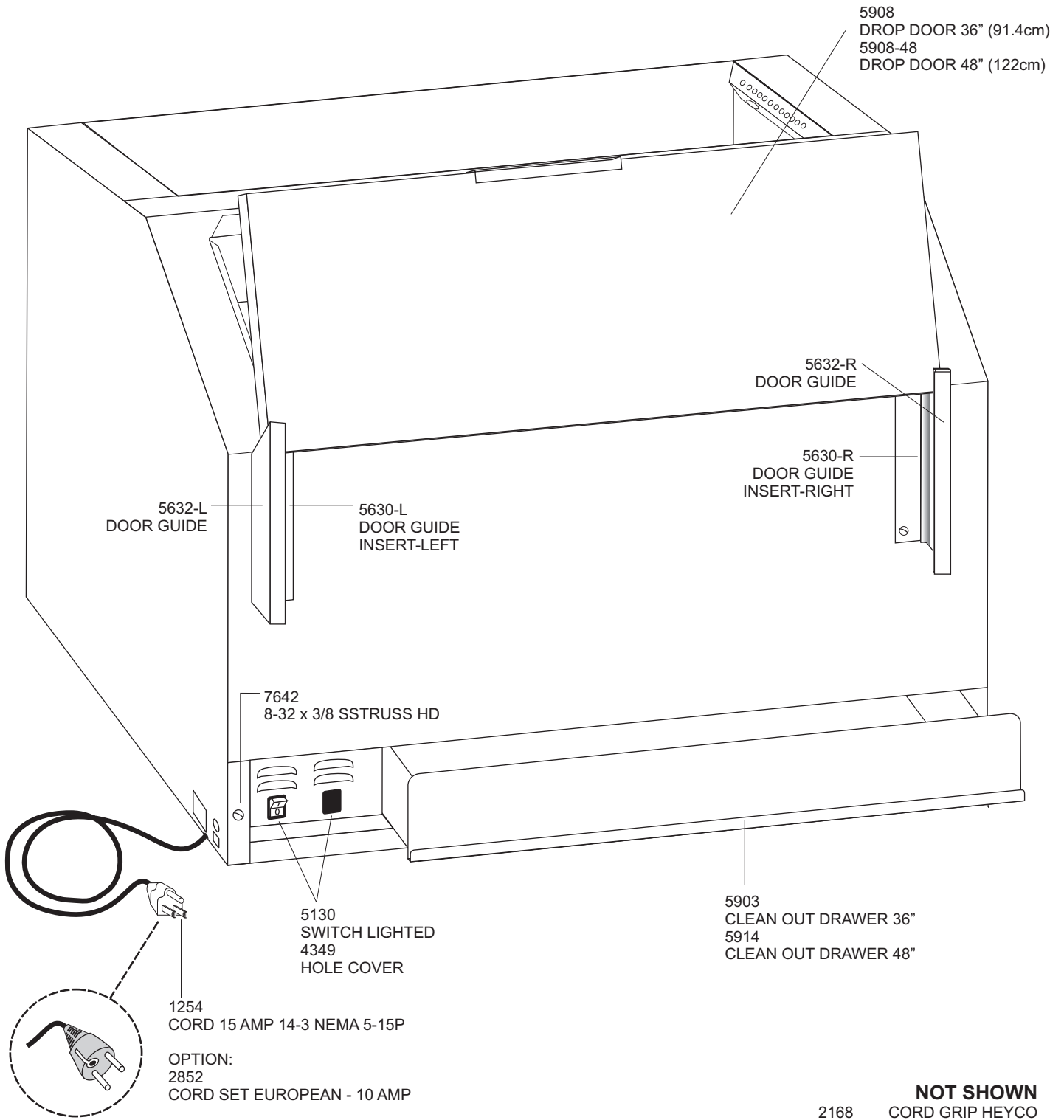
PHONE: (773)588-1690, (800)228-1885, FAX: (847) 616-6970
WEB SITE: <http://www.cretors.com> Email: postmaster@cretors.com

COUNTER SHOWCASE WARMER
230V/50 HZ - 20/36/48"
INSIDE BACK VIEW
BEGINNING SERIAL 98000000

DOC: CSW30005

CSW-E-3.1-B
03/06





COUNTER SHOWCASE WARMER - 120V - HEATER BOX

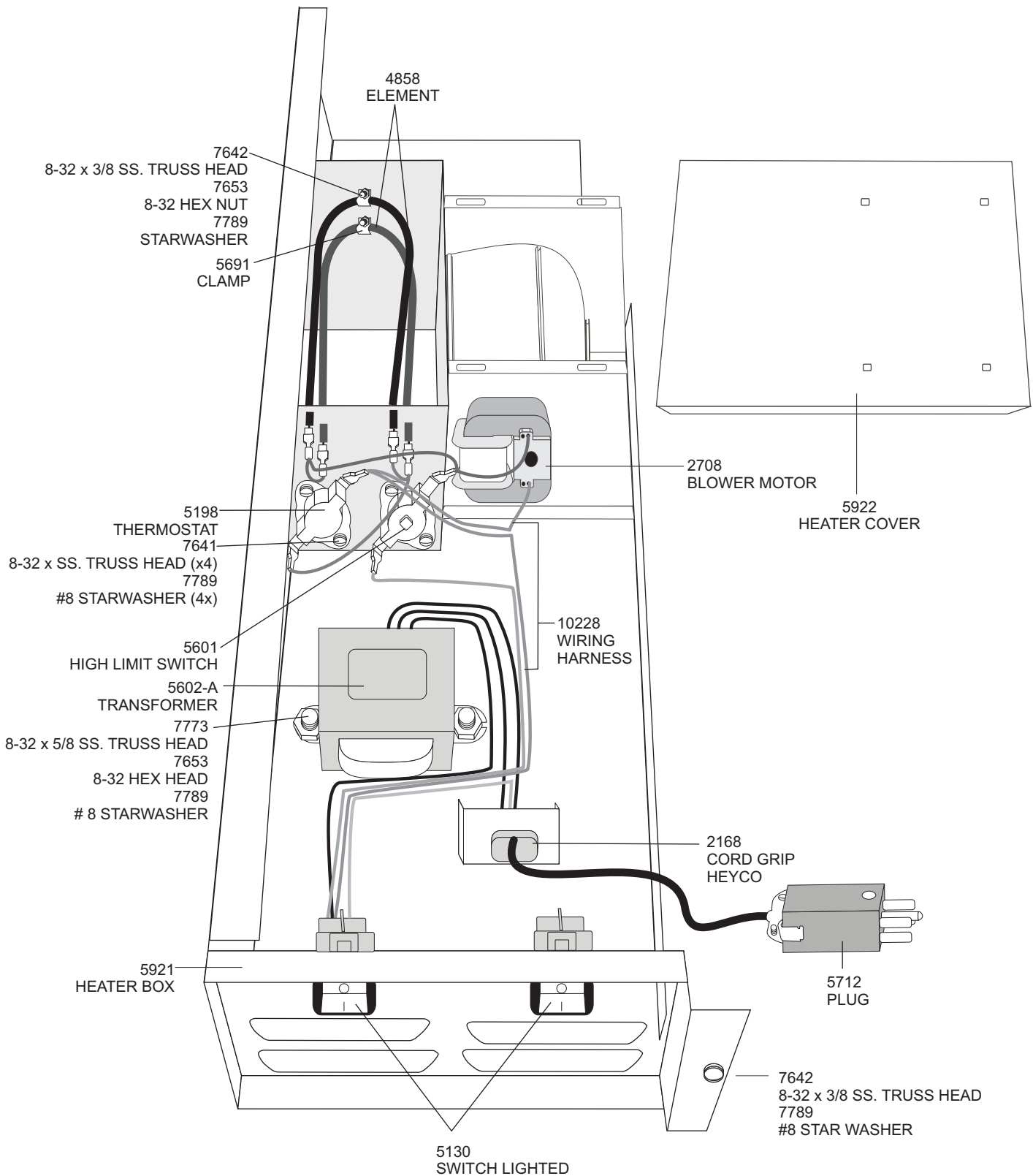
DOC: CSW40001

CSW-A-4.0-A

UPSIDE DOWN VIEW

03/06

BEGINNING SERIAL NUMBER 01037572



C. CRETORS AND COMPANY

176 MITTEL DRIVE

WOOD DALE, IL 60191

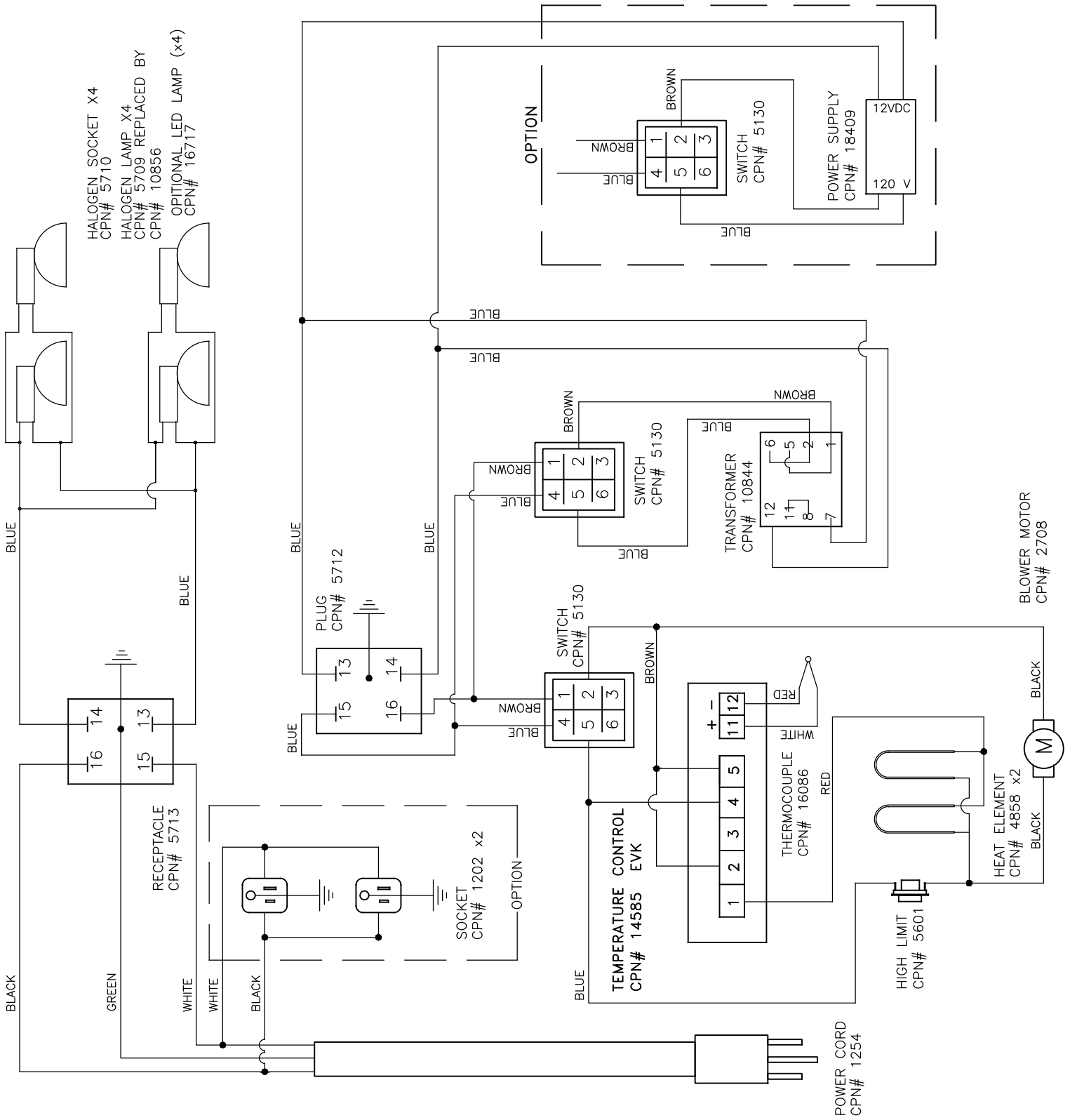
PHONE: (773)588-1690, (800)228-1885, FAX: (847) 616-6970

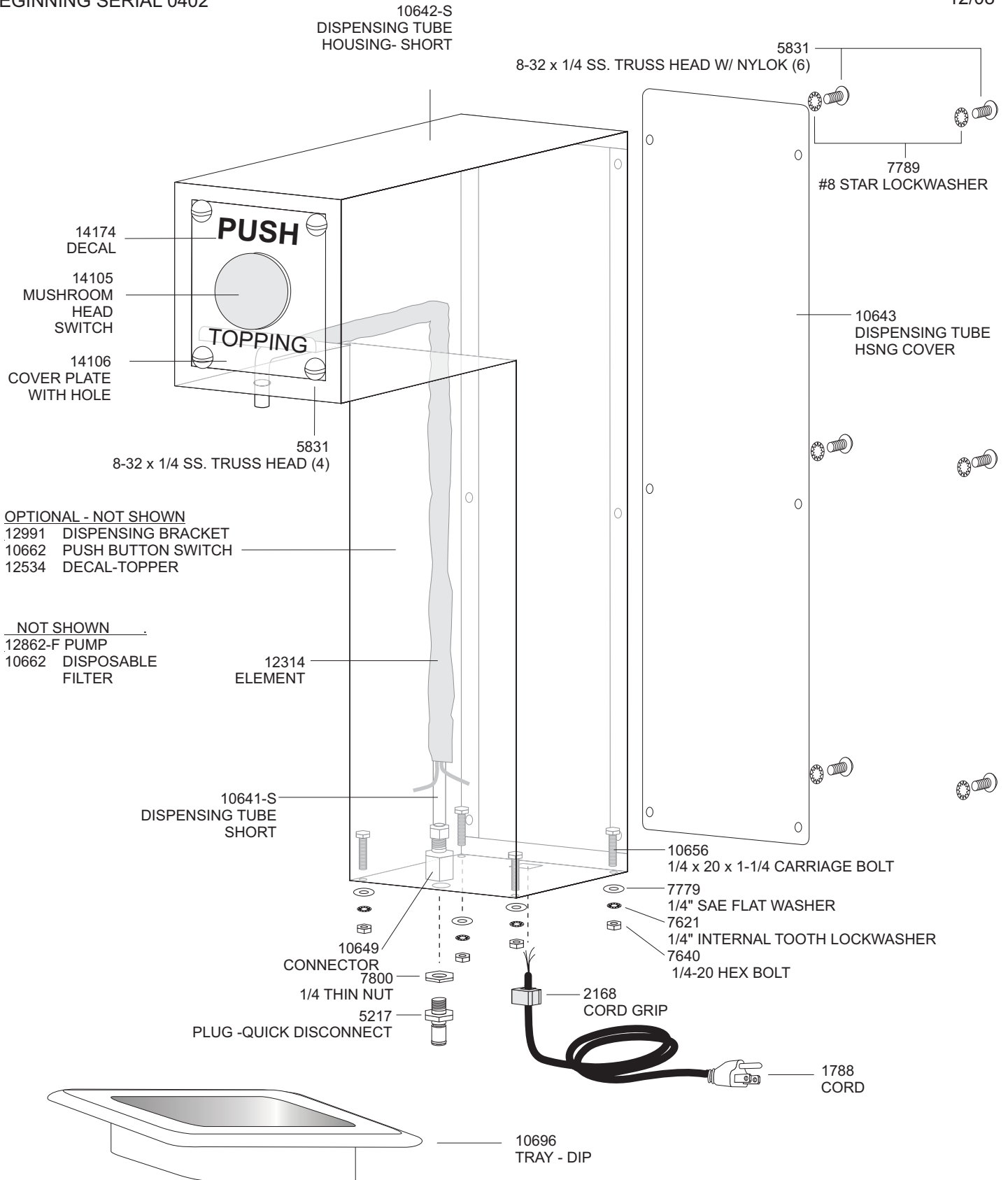
WEB SITE: <http://www.cretors.com> Email: postmaster@cretors.com

COUNTER SHOWCASE WARMER DIGITAL TEMPERATURE CONTROL & LED LIGHTS
 WIRING DIAGRAM - 100/120V 50/60Hz
 BEGINNING SERIAL NO. 1410

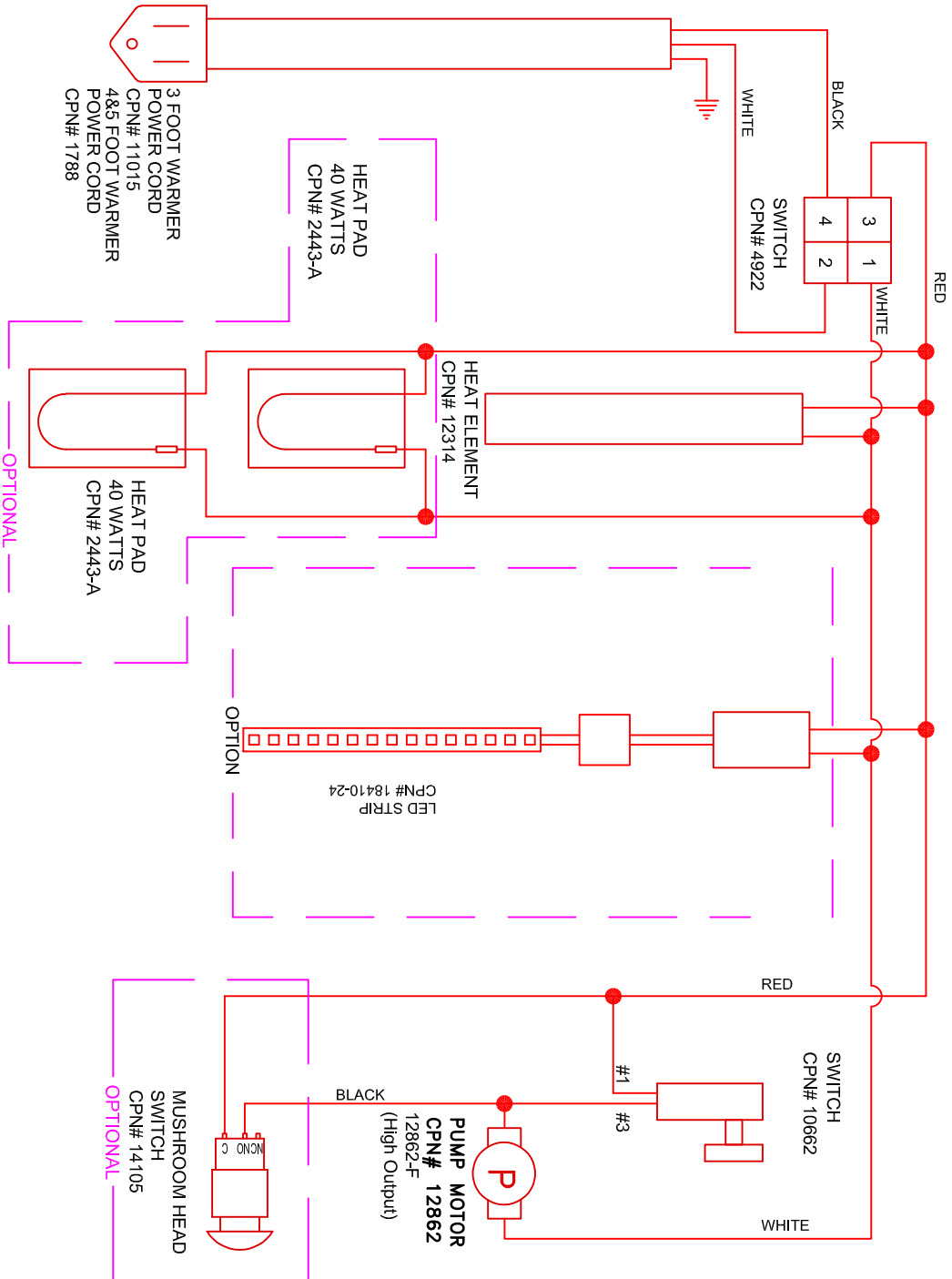
10/2014

DOC: CSWAFDIGITALr3





DROP IN TOPPER - 120V 60HZ
WIRING DIAGRAM - 1901
BEGINNING SERIAL No. 1901



DOC: DITAr2

01/2019

C:CRETORS AND COMPANY

170 MITTEL DRIVE

WOOD DALE, ILLINOIS 60191

PHONE(847)616-6900, (800)228-1885, FAX (847)616-6970

WEB SITE: <http://www.cretors.com> Email: postmaster@cretors.com

DOC: DITAr2