

PRODUCTION TABLES AND CARTS

ELECTRIC AND GAS GIANT – PEDESTAL-STYLE KETTLE

If high volume backroom production is what you need, simply install the pedestal kettle onto one of our knockdown tables. Match the kettle size with the perfect table for your operation. Expand your product line to include savory, as well as candy and caramel-coated popcorn. An optional blower fan can be added to the table that aids in cooling sugar-coated popcorn; making it ideal for producing caramel corn and kettle corn. Tables come in 3.5, 4.5, 6 and 6 ft Twin-size widths.



3.5 ft Production Table

- Shown assembled
- Ideal for a big popper in limited space
- One shelf for pedestal popper installation



4.5 ft Production Table

- Expanded storage space over the 3.5 ft table
- One shelf for pedestal popper installation



Oil Pump Caddy Shelf

- Holds oil bucket off of floor
- Easy floor access for cleaning
- Reduces oil spillage and possible slips and falls



6 ft Production Table

- One shelf for pedestal popper installation
- Second shelf can be added for a second Giant popper or caramelizer unit

Contact your Cretors representative for a complete list of agency approvals for each machine. Images may not reflect current equipment modifications, features and accessories.



C. CRETORS AND COMPANY 176 Mittel Drive, Wood Dale, IL 60191 | MAIN 847.616.6900 | FAX 847. 616-6970 | www.cretors.com

PRODUCTION TABLES AND CARTS 5.16



6 ft Twin Knock Down Table

- Two shelves for installation of either two pedestal poppers or combination pedestal popper and caramelizer



G12 Two-Wheel Cart

- Our two-wheel cart with stainless-steel receiving bin, when combined with the gas powered 12 oz Giant, is perfect for special events, local community fests and other locations where mobility is required.
- Welded wagon base
 - Durable powder-coated finish
 - Accomodates 12 oz gas popper
 - Side support for gas tank

G60 Four-Wheel Cart

This rugged four-wheel cart with stainless-steel receiving bin, when combined with the gas-powered 60 oz Giant, is perfect for events, street fairs, large venue fests and other locations where high-volume popcorn mobility is required. Built for gas poppers.

- Side support holds gas tank
- Storage area for supplies
- Durable powder-coated finish
- Shown with optional canopy



Contact your Cretors representative for a complete list of agency approvals for each machine. Images may not reflect current equipment modifications, features and accessories.



ELECTRIC AND GAS GIANT – PEDESTAL STYLE POPPERS

It's not just how much corn you pop, it's how well you pop it. That's the philosophy behind our high-volume Giant Poppers, which let you pop anywhere from a small amount to a mountain of popcorn. These Cretors poppers are designed as compatible components in your production system. Designed to operate efficiently behind the scenes or up front, they're ideal for theaters, shopping malls, stadiums and arenas.

Our Giant Poppers are designed to work with three distinct cabinet configurations: Open Top President, Enclosed Top President, and President without top. The poppers can be built directly into custom millwork and are available in gas or electric power.



Electric Giant Pedestal Popper

- 20, 32, 48, and 60 oz kettles
- Digital readout ensures accurate temperature settings and readings
- Cycling pilot light
- Lighted rocker switches



Gas Giant Pedestal Popper

The unique enclosed burner collar keeps the flame contained and positioned directly under the bottom of the kettle, increasing heat efficiency and channels hot exhaust.

- 12, 32, and 60 oz kettles
- Propane or natural gas
- Safety pilot automatically cuts off gas if pilot burner goes out (32 and 60 oz only)
- Electric direct drive motor
- Requires small amount of electrical power (contact your Cretors representative for further details)
- Lighted rocker switches
- Easy-to-read controls

60 oz features:

- Exhaust vent located on back of kettle
- Digital readout ensures accurate temperature settings and readings
- A safety off switch automatically turns off burner flame when the kettle is lifted for dumping. The flame automatically relights when the kettle is placed back into the cooking position
- Cycling pilot light with digital temperature controller



Cretors Exclusive One-Piece Kettle design with Direct Oil Feed

Our ingenuity sets us apart. Our distinct kettle design addresses several issues found in the field with Cretors exclusive solutions.

- Direct inject oil feed delivers oil directly inside the kettle, preventing messy exterior oil drips and spills
- Kettle cover comes apart easily with tab and pin design for easy cleaning
- Welded raised pan center prevents oil leakage into the motor

Contact your Cretors representative for a complete list of agency approvals for each machine. Images may not reflect current equipment modifications, features and accessories.



C. CRETORS AND COMPANY 176 Mittel Drive, Wood Dale, IL 60191 | MAIN 847.616.6900 | FAX 847. 616-6970 | www.cretors.com

PRODUCTION TABLES AND CARTS 5.16

PRODUCTION TABLE KEY FEATURES

- Rust proof stainless-steel construction
- Accepts both electric and gas poppers
- Digital temperature controller
- 50 lb corn bin
- Available in 3.5, 4.5, 6, and 6 ft twin sizes

PRODUCTION TABLE OPTIONS

- Dual control and kettle dump
- Second shelf can be added for second popper or caramelizer
- Right hand or left hand operation
- Twin cooling bin with fan
- Corn guard chute
- 100 lb corn bin
- Pump caddy
- Salt/sugar switch
- Patented One-Pop
- Patented One-Pop with cycle counter

Patented One-Pop control/One-Pop control with cycle counter

- This patented safety feature will bring you peace of mind! It not only saves energy, but it reduces the chances of a grease fire in your home theatre, grocery store, car dealer, hotel or anywhere else you pop. It's the safest machine on the market. With the push of a button the kettle will heat, pop a batch of corn, and turn itself off after one popping cycle, not allowing an unattended kettle of popped corn to catch fire if forgotten.
- Counter option will count the number of popping cycles the popper has performed, ideal when the number of popping cycles needs to be recorded. It's perfect for profit-sharing programs or calculating corn usage.

Salt/sugar switch

With a single switch, change between the higher temperature of salted corn production and the lower temperature needed for sugar corn, kettle or glazed popcorn production. Amount of oil dispensed is also automatically adjusted.

Stainless-steel kettle

- Stainless-steel durability is built directly into the kettle and will never rust.
- Stainless steel is superior to other surfaces and is not damaged by carbon remover or kettle cleaner.
- It provides improved heat transfer technology, which evenly heats the bottom of the kettle and creates a more uniform popping surface temperature that heats up quickly to maximize corn expansion.

GIANT PEDESTAL POPPER KEY FEATURES

- Nickel plated all-steel kettle (G12 only)
- One-piece kettle design
- Direct oil feed (60 oz only)
- Direct drive motor
- Stainless-steel pedestal
- Digital temperature controller (60 oz only)
- Controls located on pedestal for efficient operation
- Available in either left hand or right hand dump

GIANT PEDESTAL POPPER OPTIONS

- Stainless-steel pan (32 and 60 oz gas)
- Salt/sugar switch
- Patented One-Pop control
- Patented One-Pop control with cycle counter

Patented One-Pop Control



Salt/sugar Switch

Contact your Cretors representative for a complete list of agency approvals for each machine. Images may not reflect current equipment modifications, features and accessories.



C. CRETORS AND COMPANY 176 Mittel Drive, Wood Dale, IL 60191 | MAIN 847.616.6900 | FAX 847. 616-6970 | www.cretors.com

PRODUCTION TABLES AND CARTS 5.16

OIL PUMPS, HEATERS AND WARMERS

The stainless-steel design of our oil pumps, heaters and warmers make them simple to use. Cretors offers three styles of oil pumps: The Bag-in-Box (BIB) Oil Pump, the Self Contained Automatic Bucket Pump and the Box Pump. Ideal for movie theaters, concession stands, restaurants, gourmet popcorn stores, and self-serve applications.



The Original Automatic Bag-in-Box (BIB) Oil Pump

Cretors first brought this innovation to concession stands based on a customer request for a pump that was easier to use and keep clean. The robust gear pump will ensure extended-term pump life.

- Heated shelf holds and warms two 35 lb boxes of popping oil
- Electronic timer provides accurate portion control when used in a popcorn machine.
- Heated oil tubes available for coconut oil
- Front or rear oil line (optional)
- Remote control switch
- Cabinet heater blower for use with coconut oil (optional)



Bag-in-Box (BIB) Short Oil Pump

This single-shelf pump is perfect for situations when the double-shelf BIB Oil Pump is not practical due to space limitations.

- Heated shelf holds and warms one 35 lb box of popping oil



Box Pump

A self-contained BIB oil pump with independent power cord provides compact oil delivery. This pump automatically delivers the proper amount of oil to the kettle with the push of a button. Magnets allow the pump to be placed anywhere in the machine. For liquid oils only.



50 lb Bucket Pumps

- **Self-Contained Bucket Pump** for use with Profiteer and T-3000 Plus models
- **Automatic Bucket Pump** for use with all large poppers that are electrically wired for a pump
- Automatic portion control heats, measures and delivers oil to kettle.
- Rugged cast aluminum heating element
- Electronic 30-minute heat timer
- Use with 50 lb oil pail



Bag-in-Box (BIB) Backroom Warmer

Melting and maintaining popping oil at the proper temperature takes time. The BIB Backroom Warmer stores and liquefies four standard sized boxes on heated shelf decks, ensuring you have the popping oil you need when you need it.

- Holds and warms four 35 lb boxes of oil
- Heated shelf decks melt and maintain product for immediate use
- Can be used to heat other BIB items, such as cheese or topping
- Two-shelf warmer also available



Heated Oil Pail Step

The Oil Pail Step makes it easy to slide a 50 lb pail of coconut oil into the base of your Cretors popcorn machine without spillage. Our step features a passive low-wattage heater to liquefy your reserve pail of coconut oil for an easy switch over to a fresh pail when needed.



Hot Rod

Hot Rod is the fastest, most economical way to melt solidified coconut oil in a pail. Rugged construction allows it to be forced into cold, hard oil. Insert the heating element directly into a pail of coconut oil, plug in and allow the heat to gently melt the oil for popper use.

Contact your Cretors representative for a complete list of agency approvals for each machine. Images may not reflect current equipment modifications, features and accessories.



C. CRETORS AND COMPANY 176 Mittel Drive, Wood Dale, IL 60191 | MAIN 847.616.6900 | FAX 847. 616-6970 | www.cretors.com

PRODUCTION TABLES AND CARTS 5.16

POPPING SUPPLIES



Butterfly Popcorn

- 50 lb bag
- Good for theaters
- PART # 14228



Mushroom Popcorn

- 50 lb bag
- Good for caramel corn
- PART # 14227



Portion Pack available in 6 oz, 8 oz, 12 oz

- 6 oz PK 36 PART #9820
- 8 oz PK 24 PART #9827
- 12 oz PK 28 PART #9830



Gourmet Salt

- Butter flavored
- 2 lb bag, 12 bags per case
- PART #97940

Also available in 50 lb bulk box

- PART #9795



Maize Glaze

- 50 lb Bulk Box
- PART #18778-BULK



Eco Bags

- 1½ oz PK 1000 PART #12964
- 2½ oz PK 500 PART #12967
- 4 oz PK 500 PART #12968
- 5 oz PK 500 PART #12969

Support Our Troops Bag

- 2½ oz PK500
- PART # 12967-USA



Salted Corn Kit

- Contact your Cretors representative to order the appropriate kit size



Sugar Corn Kit

- Contact your Cretors representative to order the appropriate kit size



Contact your Cretors representative for a complete list of agency approvals for each machine. Images may not reflect current equipment modifications, features and accessories.



C. CRETORS AND COMPANY 176 Mittel Drive, Wood Dale, IL 60191 | MAIN 847.616.6900 | FAX 847.616-6970 | www.cretors.com

PRODUCTION TABLES AND CARTS 5.16

CLEANING SUPPLIES



Heat N' Spray (red can)

- 19 oz can
- 6 per case
- PART #12732



Carbon Cleaner (blue can)

- 19 oz can
- 6 per case
- PART #12731



Inside Kettle Cleaner

- 16 oz
- 12 per case
- PART #2156



Outside Kettle Cleaner

- 16 oz
- 12 per case
- PART #2157



Popper Cleaning Kit

- Includes items shown
- 16" Pan kit: PART #10837
- 12" Pan kit: PART #10831

Contact your Cretors representative for a complete list of agency approvals for each machine. Images may not reflect current equipment modifications, features and accessories.



C. CRETORS AND COMPANY | 176 Mittel Drive, Wood Dale, IL 60191 | MAIN 847.616.6900 | FAX 847.616.6970 | www.cretors.com

PRODUCTION TABLES AND CARTS 5.16

PRODUCTION TABLES AND CARTS - PEDESTAL-STYLE POPPER NORTH AMERICA

MACHINE	ELECTRICAL						MACHINE DIMENSIONS INCHES			SHIP DIMENSIONS INCHES			SHIP WEIGHT
	KETTLE	SERVINGS*	VOLTAGE	WATTS	BTU	NEMA	LENGTH	WIDTH	HEIGHT	LENGTH	WIDTH	HEIGHT	lb
12 oz Giant													
Giant Propane/Natural	12 oz	240	120V/60HZ	100	13,000	5-15	12.00	14.00	24.00	15.00	16.00	25.00	29
Gas Giant Propane with 12V Battery	12 oz	240	12V DC	100	13,000	-	12.00	14.00	24.00	15.00	16.00	25.00	29
Gas Popper on Cart	12 oz	240	12V DC	100	13,000	-	18.00	44.00	56.00	28.00	47.00	61.00	185
20 oz Giant													
Electric Giant & OEM Popper	20 oz	400	120/208-120/240V/60HZ	3800	-	L14-30	10.50	10.50	27.50	25.00	28.00	35.00	100
Electric Giant on Knock Down Table 3.5'	20 oz	400	120/208-120/240V/60HZ	3800	-	L14-30	33.50	42.00	61.00	39.00	48.80	66.00	270
Electric Giant on Knock Down Table 4.5'	20 oz	400	120/208-120/240V/60HZ	3800	-	L14-30	30.50	53.00	61.50	39.00	57.60	66.00	300
Electric Giant on Knock Down Table 6'	20 oz	400	120/208-120/240V/60HZ	3800	-	L14-30	33.25	68.50	61.50	39.00	77.00	66.00	390
Electric Giant on Knock Down Table 6' Twin	2x20 oz	800	120/208-120/240V/60HZ	3800 3800	-	L14-30 L14-30	33.25	79.50	61.50	39.00	87.00	67.00	565
32 oz Giant													
Electric Giant & OEM Popper	32 oz	640	120/208-120/240V/60HZ	5200	-	L14-30	18.00	23.00	32.50	25.00	28.00	35.00	116
Gas Giant Propane/Natural* Equipped for Pump	32 oz	640	120V/60HZ	160	31,000	5-15	24.50	18.75	32.00	25.00	27.00	34.50	104
Electric Giant on Knock Down Table 3.5'	32 oz	640	120/208-120/240V/60HZ	5200	-	14-50	33.50	42.00	61.00	39.00	48.00	66.00	270
Electric Giant on Knock Down Table 4.5'	32 oz	640	120/208-120/240V/60HZ	5200	-	14-50	30.50	53.00	61.50	39.00	57.50	65.00	300
Electric Giant on Knock Down Table 6'	32 oz	640	120/208-120/240V/60HZ	5200	-	14-50	33.25	70.00	61.50	39.00	77.00	68.00	390
Electric Giant on Knock Down Table 6' Twin	2x32 oz	1280	120/208-120/240V/60HZ	5200 5200	-	14-50	33.25	81.00	61.50	37.00	87.00	66.00	565
Gas Giant Propane/Natural on Knock Down Table 3.5'	32 oz	640	120V/60HZ	160	3,100	5-15	33.50	47.00	61.00	39.00	50.50	66.00	286
Gas Giant Propane/Natural on Knock Down Table 4.5'	32 oz	640	120V/60HZ	160	3,100	5-15	30.50	58.00	61.50	39.00	57.50	65.00	365
Gas Giant Propane/Natural on Knock Down Table 6'	32 oz	640	120V/60HZ	160	3,100	5-15	33.25	72.00	61.50	39.00	80.00	65.00	365
Gas Giant Propane/Natural on Knock Down Table 6' Twin	2x32 oz	1280	120V/60HZ	160 160	3,100 3,100	5-15 5-15	33.55	102.00	61.50	39.00	104.50	68.00	550

Contact your Cretors representative for a complete list of agency approvals for each machine. Images may not reflect current equipment modifications, features and accessories.



PRODUCTION TABLES AND CARTS - PEDESTAL-STYLE POPPER NORTH AMERICA

MACHINE	ELECTRICAL						MACHINE DIMENSIONS INCHES			SHIP DIMENSIONS INCHES			SHIP WEIGHT
	KETTLE	SERVINGS*	VOLTAGE	WATTS	BTU	NEMA	LENGTH	WIDTH	HEIGHT	LENGTH	WIDTH	HEIGHT	lb
48 oz Giant													
Giant & OEM Popper	48 oz	960	120/208-120/240V/60HZ	6800	-	14-50	18.00	23.00	32.50	25.00	28.00	35.00	116
Electric Giant on Knock Down Table 4.5'	48 oz	960	120/208-120/240V/60HZ	6800	-	14-50	30.50	53.00	61.50	39.00	57.60	65.00	300
Electric Giant on Knock Down Table 6'	48 oz	960	120/208-120/240V/60HZ	6800	-	14-50	33.25	70.00	61.50	39.00	77.00	68.00	390
Electric Giant on Knock Down Table 6' Twin	2x48 oz	1920	120/208-120/240V/60HZ	6800 6800	-	14-50 14-50	33.25	81.00	61.50	37.00	87.00	66.00	565
60 oz Giant													
Giant & OEM Popper	60 oz	1200	120/208-120/240V/60HZ	6800	-	14-50	18.00	23.00	32.50	25.00	28.00	35.00	116
Gas Giant Propane/Natural *Equipped for Pump	60 oz	1200	120V/60HZ	160	50,000	5-15	21.25	21.00	33.00	25.00	27.00	34.50	115
Electric Giant on Knock Down Table 3.5'	60 oz	1200	120/208-120/240V/60HZ	6800	-	14-50	33.50	42.00	61.00	39.00	48.00	66.00	270
Electric Giant on Knock Down Table 4.5'	60 oz	1200	120/208-120/240V/60HZ	6800	-	14-50	30.50	53.00	61.50	39.00	57.00	65.00	300
Electric Giant on Knock Down Table 6'	60 oz	1200	120/208-120/240V/60HZ	6800	-	14-50	33.25	69.50	61.50	39.00	77.00	68.00	391
Electric Giant on Knock Down Table 6' Twin	2x60 oz	2400	120/208-120/240V/60HZ	6800 6800	-	14-50 14-50	33.50	81.00	61.50	37.00	85.00	66.50	565
Gas Giant Propane/Natural on Knock Down Table 3.5'	60 oz	1200	120V/60HZ	160	50,000	5-15	33.25	47.00	62.00	39.00	53.50	66.00	286
Gas Giant Propane/Natural on Knock Down Table 6'	60 oz	1200	120V/60HZ	160	50,000	5-15	33.25	72.00	61.50	39.00	77.00	69.00	365
Gas Giant Propane/Natural on Knock Down Table 6' Twin	2x60 oz	2400	120V/60HZ	160 160	50,000 50,000	5-15 5-15	33.25	92.00	63.00	39.00	96.00	70.00	587

* 1 oz servings per hour

• Contact Cretors for details

All Twin Poppers will have two power cords unless requesting 3-phase.

Call for 3-phase supply on Twin Poppers.

Wattages are split between two power cords on twin units.

All total machine watts include the pump watts.

OEM Poppers are designed with an extra set of switches that control other cabinet features (fan and lights).

All Giant poppers available in left hand or right hand dump.

Add 433 watts for Ventless Hood options.

Contact Cretors for machine agency approval listings.

Contact your Cretors representative for a complete list of agency approvals for each machine. Images may not reflect current equipment modifications, features and accessories.



C. CRETORS AND COMPANY 176 Mittel Drive, Wood Dale, IL 60191 | MAIN 847.616.6900 | FAX 847.616-6970 | www.cretors.com

PRODUCTION TABLES AND CARTS 5.16

OIL PUMPS, HEATERS AND WARMERS NORTH AMERICA

MACHINE	ELECTRICAL				MACHINE DIMENSIONS INCHES			SHIP DIMENSIONS INCHES			SHIP WEIGHT
	VOLTAGE	WATTS	AMPS	NEMA	LENGTH	WIDTH	HEIGHT	LENGTH	WIDTH	HEIGHT	lb
7700 Automatic Bucket Pump, remote control	120V/60HZ	700	5.8	-	22.00	13.00	13.00	25.00	15.00	15.00	20
7700 Automatic Bucket Pump, self contained (use with Profiteer)	120V/60HZ	700	5.8	5-15	22.00	13.00	13.00	25.00	15.00	15.00	20
7700 Automatic Bucket Salt/Sugar Pump	120V/60HZ	700	5.8	-	22.00	13.00	13.00	25.00	15.00	15.00	20
Hot Rod	120V/60HZ	400	3.3	5-15	2.50	23.50	2.25	4.00	24.00	2.50	4
Bag-in-Box Pump with side oil line	120V/60HZ	250	2.1	-	18.00	13.75	16.50	22.00	17.25	20.00	37
Bag-in-Box Pump Heated with side oil line	120V/60HZ	250	2.1	-	18.00	13.75	16.50	22.00	17.25	20.00	35
Bag-in-Box Pump Heated with front/rear discharge	120V/60HZ	250	2.1	-	18.00	13.75	16.50	22.00	17.25	19.00	35
Bag-in-Box Salt/Sugar Pump with Side oil line	120V/60HZ	250	2.1	-	18.00	13.75	16.50	22.00	17.25	19.00	35
Bag-in-Box Backroom Warmer Heated 4 shelf unit	120V/60HZ	180	1.5	5-15	17.00	16.00	49.50	20.00	20.00	51.00	74

Contact Cretors for machine agency approval listings.



PRODUCTION TABLES AND CARTS - PEDESTAL-STYLE POPPER EXPORT – CE MARK AVAILABLE

MACHINE	ELECTRICAL					MACHINE DIMENSIONS CENTIMETERS			SHIP DIMENSIONS CENTIMETERS			SHIP WEIGHT
	KETTLE	SERVINGS*	VOLTAGE	WATTS	BTU	LENGTH	WIDTH	HEIGHT	LENGTH	WIDTH	HEIGHT	kg
12 oz Giant												
Giant Propane/Natural	12 oz	240	230V/50HZ	100	13,000	30.48	35.56	60.96	38.10	40.64	63.50	13.05
Gas Giant Propane with 12V Battery	12 oz	240	12VDC	100	13,000	30.48	35.56	60.96	38.10	40.64	63.50	13.05
Gas Popper on Cart	12 oz	240	12VDC	100	13,000	45.72	111.76	142.24	71.12	119.38	154.94	83.25
20 oz Giant												
Electric Giant & OEM Popper	20 oz	400	230V/50HZ	3800	-	26.67	26.67	69.85	63.50	71.12	88.90	45.00
Electric Giant on Knock Down Table 3.5'	20 oz	400	230V/50HZ	3800	-	85.09	106.68	154.94	99.06	123.95	167.64	121.50
Electric Giant on Knock Down Table 4.5'	20 oz	400	230V/50HZ	3800	-	77.47	134.62	156.21	99.06	146.30	167.64	135.00
Electric Giant on Knock Down Table 6'	20 oz	400	230V/50HZ	3800	-	84.46	173.99	156.21	99.06	195.58	167.64	175.50
Electric Giant on Knock Down Table 6' Twin	2x20 oz	800	230V/50HZ	3800 3800	-	84.46	201.93	156.21	99.06	220.98	170.18	254.25
32 oz Giant												
Electric Giant & OEM Popper	32 oz	640	230V/50HZ	5200	-	45.72	58.42	82.55	63.50	71.12	88.90	52.20
Gas Giant Propane/Natural *Equipped for Pump	32 oz	640	230V/50HZ	160	31,000	62.23	47.63	81.28	63.50	68.58	87.63	46.80
Electric Giant on Knock Down Table 3.5'	32 oz	640	230V/50HZ	5200	-	85.09	106.68	154.94	99.06	121.92	167.64	121.50
Electric Giant on Knock Down Table 4.5'	32 oz	640	230V/50HZ	5200	-	77.47	134.62	156.21	99.06	146.05	165.10	135.00
Electric Giant on Knock Down Table 6'	32 oz	640	230V/50HZ	5200	-	84.46	177.80	156.21	99.06	195.58	172.72	175.50
Electric Giant on Knock Down Table 6' Twin	2x32 oz	1280	230V/50HZ	5200 5200	-	84.46	205.74	156.21	93.98	220.98	167.64	254.25
Gas Giant Propane/Natural on Knock Down Table 3.5'	32 oz	640	230V/50HZ	160	3,100	85.09	119.38	154.94	99.06	128.27	167.64	128.70
Gas Giant Propane/Natural on Knock Down Table 4.5'	32 oz	640	230V/50HZ	160	3,100	77.47	147.32	156.21	99.06	146.05	165.10	164.25
Gas Giant Propane/Natural on Knock Down Table 6'	32 oz	640	230V/50HZ	160	3,100	84.46	182.88	156.21	99.06	203.20	165.10	164.25
Gas Giant Propane/Natural on Knock Down Table 6' Twin	2x32 oz	1280	230V/50HZ	160 160	3,100 3,100	85.22	259.08	156.21	99.06	265.43	172.72	247.50

Contact your Cretors representative for a complete list of agency approvals for each machine. Images may not reflect current equipment modifications, features and accessories.



C. CRETORS AND COMPANY 176 Mittel Drive, Wood Dale, IL 60191 | MAIN 847.616.6900 | FAX 847.616-6970 | www.cretors.com

PRODUCTION TABLES AND CARTS - PEDESTAL-STYLE POPPER EXPORT – CE MARK AVAILABLE

MACHINE	ELECTRICAL					MACHINE DIMENSIONS CENTIMETERS			SHIP DIMENSIONS CENTIMETERS			SHIP WEIGHT
	KETTLE	SERVINGS*	VOLTAGE	WATTS	BTU	LENGTH	WIDTH	HEIGHT	LENGTH	WIDTH	HEIGHT	kg
48 oz Giant												
Giant & OEM Popper	48 oz	960	230V/50HZ	6800	-	45.72	58.42	82.55	63.50	71.12	88.90	52.20
Electric Giant on Knock Down Table 3.5'	48 oz	960	230V/50HZ	6800	-	85.09	106.68	154.94	99.06	121.92	167.64	121.50
Electric Giant on Knock Down Table 4.5'	48 oz	960	230V/50HZ	6800	-	77.47	134.62	156.21	99.06	146.30	165.10	135.00
Electric Giant on Knock Down Table 6'	48 oz	960	230V/50HZ	6800	-	84.46	177.80	156.21	99.06	195.58	172.72	175.50
Electric Giant on Knock Down Table 6' Twin	2x48 oz	1920	230V/50HZ	6800 6800	-	84.46	205.74	156.21	93.98	220.98	167.64	254.25
60 oz Giant												
Giant & OEM Popper	60 oz	1200	230V/50HZ	6800	-	45.72	58.42	82.55	63.50	71.12	88.90	52.20
Gas Giant Propane/Natural *Equipped for Pump	60 oz	1200	230V/50HZ	160	50,000	53.98	53.34	83.82	63.50	68.58	87.63	51.75
Electric Giant on Knock Down Table 3.5'	60 oz	1200	230V/50HZ	6800	-	85.09	106.68	154.94	99.06	121.92	167.64	121.50
Electric Giant on Knock Down Table 4.5'	60 oz	1200	230V/50HZ	6800	-	77.47	134.62	156.21	99.06	144.78	165.10	135.00
Electric Giant on Knock Down Table 6'	60 oz	1200	230V/50HZ	6800	-	84.46	176.53	156.21	99.06	195.58	172.72	175.95
Electric Giant on Knock Down Table 6' Twin	2x60 oz	2400	230V/50HZ	6800 6800	-	85.09	205.74	156.21	93.98	215.90	168.91	254.25
Gas Giant Propane/Natural on Knock Down Table 3.5'	60 oz	1200	230V/50HZ	160	50,000	84.46	119.38	157.48	99.06	135.89	167.64	128.70
Gas Giant Propane/Natural on Knock Down Table 6'	60 oz	1200	230V/50HZ	160	50,000	84.46	182.88	156.21	99.06	195.58	175.26	164.25
Gas Giant Propane/Natural on Knock Down Table 6' Twin	2x60 oz	2400	230V/50HZ	160 160	50,000 50,000	84.46	233.68	160.02	99.06	243.84	177.80	264.15

* 1 oz servings per hour

• Contact Cretors for details

All Twin Poppers will have two power cords unless requesting 3-phase.

Call for 3-phase supply on Twin Poppers.

Wattages are split between two power cords on twin units.

All total machine watts include the pump watts.

OEM Poppers are designed with an extra set of switches that control other cabinet features (fan and lights).

All Giant poppers available in left hand or right hand dump.

Add 433 watts for Ventless Hood options.

Contact Cretors for machine agency approval listings.

Contact your Cretors representative for a complete list of agency approvals for each machine. Images may not reflect current equipment modifications, features and accessories.



OIL PUMPS, HEATERS AND WARMERS EXPORT – CE MARK AVAILABLE

MACHINE	ELECTRICAL			MACHINE DIMENSIONS CENTIMETERS			SHIP DIMENSIONS CENTIMETERS			SHIP WEIGHT
	VOLTAGE	WATTS	AMPS	LENGTH	WIDTH	HEIGHT	LENGTH	WIDTH	HEIGHT	kg
7700 Automatic Bucket Pump, remote control	230V/50HZ	700	3	55.88	33.02	33.02	63.50	38.10	38.10	9.00
7700 Automatic Bucket Pump, self contained (use with Profiteer)	230V/50HZ	700	3	55.88	33.02	33.02	63.50	38.10	38.10	9.00
7700 Automatic Bucket Salt/Sugar Pump	230V/50HZ	700	3	55.88	33.02	33.02	63.50	38.10	38.10	9.00
Hot Rod	230V/50HZ	400	1.7	6.35	59.69	5.72	10.16	60.96	6.35	1.80
Bag-in-Box Pump with side oil line	230V/50HZ	250	1.1	45.72	34.93	41.91	55.88	43.82	50.80	16.65
Bag-in-Box Pump Heated with side oil line	230V/50HZ	250	1.1	45.72	34.93	41.91	55.88	43.82	50.80	15.75
Bag-in-Box Pump Heated with front/rear discharge	230V/50HZ	250	1.1	45.72	34.93	41.91	55.88	43.82	48.26	15.75
Bag-in-Box Salt/Sugar Pump with Side oil line	230V/50HZ	250	1.1	45.72	34.93	41.91	55.88	43.82	48.26	15.75
Bag-in-Box Backroom Warmer Heated 4 shelf unit	230V/50HZ	180	8	43.18	40.64	125.73	50.80	50.80	129.54	33.30

Contact Cretors for machine agency approval listings.



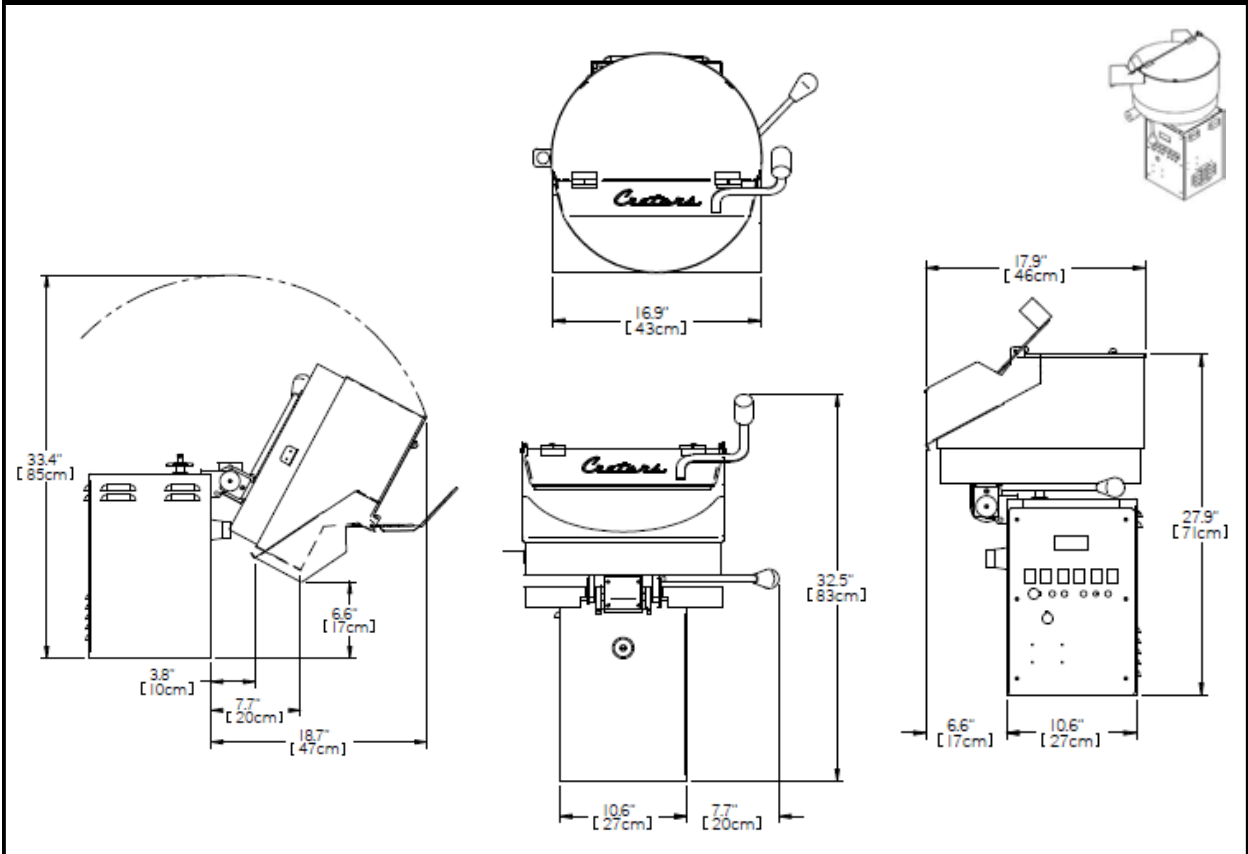


Electric Giant Pedestal Popper



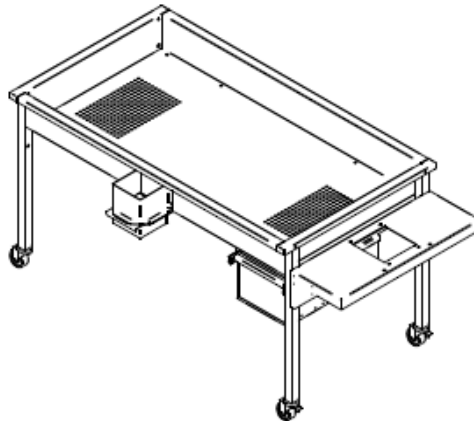
Part Number	Voltage; Metric Voltage	Wattage	Capacity
EG32	120/208; 120/240; 230; 400V	5200	32oz
EG48	120/208; 120/240; 230; 400V	6800	48oz
EG60	120/208; 120/240; 230; 400V	6800	60oz

NEMA Plug: 14-50 (Cobra Head)





70in Popping Stand



Part Number	Voltage	Wattage	NEMA Plug
GSS-X (assembled)	—	—	—
GKS-X (knockdown)	—	—	—

