



We invented the popcorn machine  
THEN JUST KEPT GOING!

---

176 MITTEL DRIVE, WOOD DALE, IL 60191

---

## Digital Bun Warmers Operation and Service Manual

### MODELS:

HB24AD \_ \_ , HB24ED \_ \_ , HB36AD \_ \_ , HB36ED \_ \_ ,  
19463-A/E, 19475-A/E, 7952-DIG, 7952-E-DIG

100 Volt,  
Single Phase, 50/60 Hz

120 Volt,  
Single Phase, 60 Hz

230 Volt,  
Single Phase, 50 Hz



**READ** and **UNDERSTAND** these operating and safety instructions before operating this machine.

---

## SAFETY FIRST



The information in this manual is essential for the safe installation and maintenance of your Modular Showcase™ machine. The manual must be read and understood before installing, operating or maintaining this equipment or equivalent training must be provided.



"The employer shall instruct each employee in the recognition and avoidance of unsafe conditions and the regulations applicable to his work environment to control or eliminate any hazards or other exposure to illness or injury. Ref.: 29 CFR 1926.20 (b)(4)(a)(2)



It is understood that safety rules within individual companies vary. If a conflict exists between the safety procedures contained in this manual and the rules of a using company, the more stringent rule should take precedence.

This manual is filled with timesaving and money-saving information regarding your Bun Warmer. There is nothing, however, more important than the safety aids and warnings found throughout this document.

If you have any questions, feel free to contact our Customer Service Department at 800-228-1885.

Additional copies of this manual can be obtained from Customer Service.

Cretors warranties this machine to be free of defects in parts, materials and workmanship for one year. Please complete and return the registration card to activate your warranty. If you have questions concerning the warranty, please contact Customer Service at 800-228-1885.

---

## I INTRODUCTION

This manual contains information regarding your Bun Warmer. There is nothing, however, more important than the safety aids and warnings that are found throughout this document. The Safety Alert Symbol is used to identify topics of primary safety concern wherever they appear. Furthermore, a separate section has been included which deals exclusively with operation and accident prevention.

If, after reviewing this manual, anything is unclear or technical problems are encountered, contact the dealer from whom you purchased your machine for assistance; and, if there are any additional questions, feel free to contact our Customer Service Department at 800-228-1885. Always have the serial number of your machine available to assist in obtaining the correct information.

---

## II SAFETY ALERT SYMBOL

The symbol shown below is used to call your attention to instructions concerning your personal safety and the safety of others. Watch this symbol. It points out important safety precautions. It means "ATTENTION! Become Alert! Your personal safety is involved!" Read the message that follows and be alert to the risk of personal injury or death.



---

## III PURPOSE OF MANUAL



This instruction manual is intended to familiarize owners with the operation and safety procedures associated with your Bun Warmer.



This manual should be kept available to operating and maintenance personnel.



A person who has not read and understood all operating and safety instructions is not qualified to operate the machine.

---

## IV PRODUCT IDENTIFICATION

### CRETORS BUN WARMERS

---

<b>MODEL</b>	<b>7952 –DIG BUN WARMER</b>
Electrical:	120 Volt, 60 Cycle 250 Watts
Dimensions:	19.688” W x 18.9” D x 9.875”T (50 cm W x48 cm D x 25 cm T)
Shipping Weight:	53 Lbs. (18 Kgs) shipping weight

---

<b>MODEL</b>	<b>7952-E –DIG BUN WARMER</b>
Electrical:	230 Volt, 50 Cycle 250 Watts
Dimensions:	19.688” W x 18.9” D x 9.875”T (50 cm W x48 cm D x 25 cm T)
Weight:	53 Lbs. (18 Kgs) shipping weight

---

<b>MODEL</b>	<b>19475-A (19475-E) HB24_-_- BUN WARMER</b>
Electrical:	120 Volt, 60 Cycle (230 Volt, 50 Hz) 300 Watts
Dimensions:	19.688” W x 21.4” D x 9.5”T (50 cm W x54.3cm D x 24.2 cm T)

---

<b>MODEL</b>	<b>19463-A (19463-E) HB36_-_- BUN WARMER</b>
Electrical:	120 Volt, 60 Cycle (230 Volt, 50 Hz) 600 Watts
Dimensions:	34.125” W x 21.4” D x 9.5”T (87 cm W x54.3cm D x 24.2 cm T)

---

## V THEORY AND OBSERVATIONS OF BUN WARMER OPERATION

---

The bun warmer is designed for any concession application to hold bread products in a warm, humidified atmosphere.

---

## VI CONTROL SWITCH

HEAT SWITCH	-Turns warmer heat ON / OFF
DIGITAL CONTROLLER	- Displays temperature of heated surface and allows adjustment of temperature up and down

---

## VII INSTALLATION INSTRUCTIONS

### 1. Location

Choose a location for your bun warmer to maximize the ease of operation and maintenance procedures. Check your local building and fire codes for location restrictions.

### 2. Power Supply

Check the nameplate to determine the required power supply.



Connect your warmer only to the correct power source.



Make certain the Rocker Switch on the warmer is in the 'OFF' position when plugging into power source.

### 3. Assembly instructions

1. Remove packaging from inside the drawer.
2. Remove protective plastic covering from entire unit, including the warmer drawer.
3. Remove perforated drawer, wash, dry, and replace.
4. Remove water tray, wash, dry, and replace.
5. Wipe all surfaces with a damp cloth and any good grade household cleaner suitable for stainless steel surfaces. Dry thoroughly.
6. Place bun warmer on a flat, level, and secure surface.
7. If stacking a hot dog grill on the top of the bun warmer, assure grill is positioned securely and centered on the bun warmer to prevent unit from falling off.
8. Plug power cord into correct power source.

---

## VIII OPERATING INSTRUCTIONS

1. Pull out the water tray and half fill with fresh warm water.
2. Turn Switch 'ON' and digital controller will start to blink, then stay on. The heat will turn on.
3. Set desired temperature by pressing the up or down arrow.
4. Allow 20 minutes for cabinet to pre-heat.
5. Place buns or rolls in warmer drawer. Buns and rolls can remain in their original plastic bag to maintain optimal freshness or just left in the drawer.
6. Operate your warmer only under sanitary condition (SEE SANITATION INSTRUCTIONS).

---

## IX SANITATION INSTRUCTIONS



Be certain the machine is turned 'OFF' and power is unplugged before sanitizing this machine. Failure to do so could result in injury.



**CAUTION:** Do not clean appliances until they have been given sufficient time to cool. Failure to do so may result in serious burns.

### Clean unit every day. Perform the following:

- Turn Switch 'OFF' and remove electrical cord from wall supply. Allow unit to cool.
- Remove and empty the drip tray.
- Remove perforated drawer base and water tray. Wash in hot soapy water, rinse, and dry
- Remove drawer by pulling out drawer and lifting rollers out of guides; remove crumbs, wash, rinse and dry. Carefully relocate drawer rollers on internal guides and push drawer in.
- Wipe all external surfaces with proprietary stainless steel cleaner or warm damp cloth and dry thoroughly.
- Replace drawer base and water tray.



**CAUTION:** This appliance(s) shall not be cleaned with a water jet.



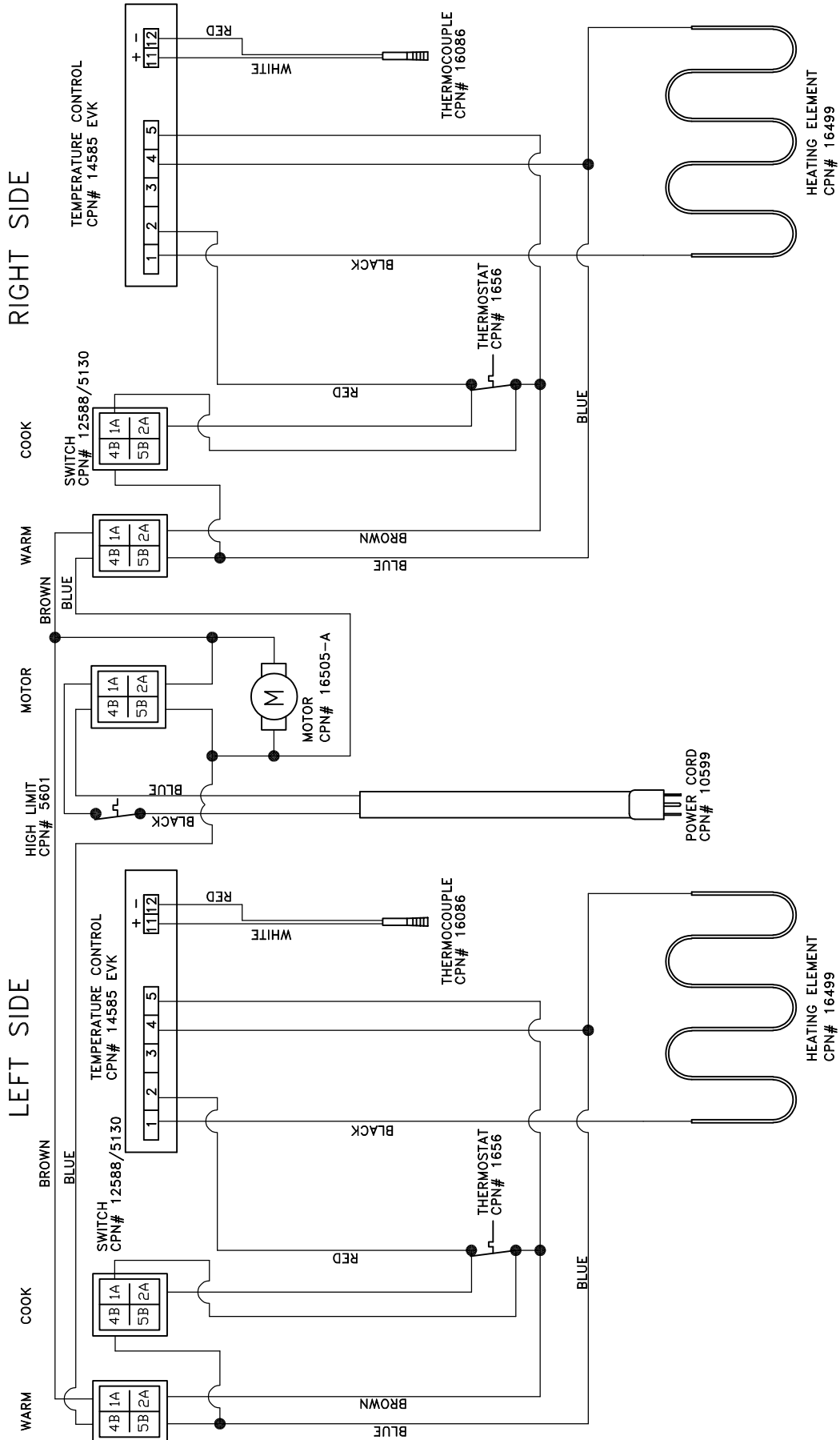
C. CRETORS AND COMPANY

176 MITTEL DRIVE  
WOOD DALE, IL 60191

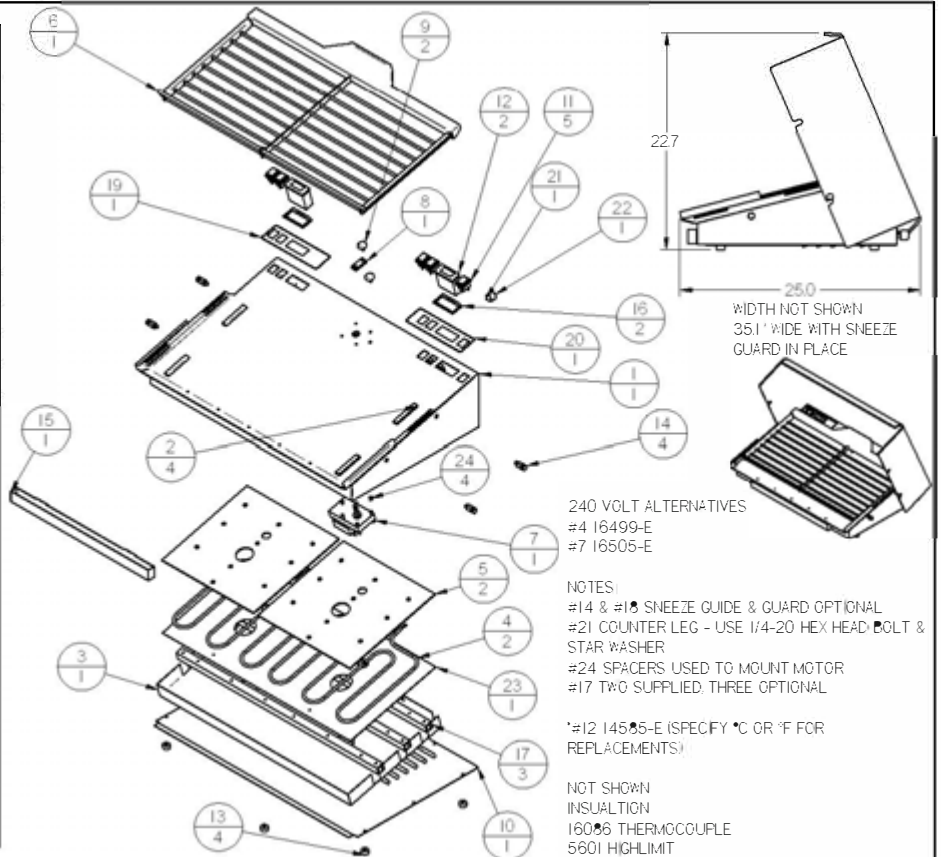
PHONE (847) 616-6900, (800) 228-1885, FAX (847) 616-6970

WEB SITE: <http://www.cretors.com> Email: [postmaster@cretors.com](mailto:postmaster@cretors.com)

Cretors joins the information age! Check out our links <http://www.twitter.com>  
<http://www.facebook.com/pages/Chicago-IL/C-Cretors-Co/90143449620>



Item	Part Number	Title	Qty
1	16497	HOT DOG GRILL BODY - HDG36	1
2	16713	ROLLER FRAME GUIDE - HDG36	4
3	16501	INSULATION COVER - HDG36	1
4	16499	HEAT ELEMENT - 120V -HDG36	2
5	16498	DIFFUSER PLATE - HDG36	2
6	16496	ROLLER FRAME-HOT DOG GRILL-HDG36	1
7	16505	MOTOR (ROLLER) - 120V - HDG36	1
8	16533	ROLLER ARM - HDG36	1
9	14361	ROLLER-HOT DOG GRILL/DRAWER RUNNER	2
10	16500	BOTTOM COVER - HDG36	1
11	12588	SWITCH W/BOOT-LIGHTED-SPLASHPROOF	5
12*	14585	DIGITAL CONTROLLER-120V.	2
13	1605	RUBBER FOOT W/HARDWARE	4
14	14362	SNEEZE SCREEN GUIDE	4
15	16506	OIL CATCH - HDG36	1
16	14585-CG	CONTROL GUARD - HOT DOG GRILL	2
17	16563	SUPPORT BAR -HD36	3
18*	16502	SNEEZE GUARD - HDG36	1
19	16661	DECAL - HD36	1
20	16661	DECAL - HD36	1
21	1423	COUNTER LEG	1
22	1433	RUBBER TIPS	1
23	16503	ELEMENT PLATE - HDG36	1
24	1766	3/8 SPACER	4



240 VOLT ALTERNATIVES  
#4 16499-E  
#7 16505-E

NOTES  
#14 & #18 SNEEZE GUIDE & GUARD OPTIONAL  
#21 COUNTER LEG - USE 1/4-20 HEX HEAD BOLT & STAR WASHER  
#24 SPACERS USED TO MOUNT MOTOR  
#17 T&G SUPPLIED THREE OPTIONAL

\*#12 14585-E (SPECIFY °C OR °F FOR REPLACEMENTS)

NOT SHOWN  
INSULATION  
16086 THERMOCOUPLE  
5601 HIGHLIMIT

				<b>C. CRETORS &amp; COMPANY</b> 170 MITTEL DRIVE, WOOD DALE, IL 60191 T: 847/916-8500 FAX: 847/916-8570		TOLERANCES XXX ± .000 XX ± .005 X ± .010 FRACT. ± .015		NAME: HOT DOG GRILL - HDG36-120V (HDG36-A) HOT DOG GRILL - 120V (HDG36-B)			
				This drawing contains information proprietary to C. Cretors & Co. and is furnished in confidence for the sole purpose of supplying the recipient with needed engineering data. Its contents should not be disclosed or reproduced in any manner without the written consent of C. Cretors & Co. All Rights Reserved.		125 SURFACE FINISH Z .25		DRAWN BY: STSS DATE:		MATERIAL:	
REV				DESCRIPTION OF REVISION		BY		DATE		SCALE: 1:1 REV: 2 DWG. NO.: HDG36-A HDG36-E	