



We invented the popcorn machine
THEN JUST KEPT GOING!

176 MITTEL DRIVE, WOOD DALE, IL 60191

MODULAR SHOWCASE™ WARMER MANUAL

120 Volt,
Single Phase, 60 Hz



READ and **UNDERSTAND** these operating and safety instructions before operating this machine.

CRETORS CUSTOMER SERVICE - 800-228-1885
773-588-1690

SAFETY FIRST



The information in this manual is essential for the safe installation and maintenance of your Modular Showcase™ machine. The manual must be read and understood before installing, operating or maintaining this equipment or equivalent training must be provided.



"The employer shall instruct each employee in the recognition and avoidance of unsafe conditions and the regulations applicable to his work environment to control or eliminate any hazards or other exposure to illness or injury. Ref.: 29 CFR 1926.20 (b)(4)(a)(2)



It is understood that safety rules within individual companies vary. If a conflict exists between the safety procedures contained in this manual and the rules of a using company, the more stringent rule should take precedence.

This manual is filled with timesaving and money-saving information regarding your Modular Showcase™ Warmer. There is nothing, however, more important than the safety aids and warnings found throughout this document.

If you have any questions, feel free to contact our Customer Service Department at 800-228-1885.

Additional copies of this manual can be obtained from Customer Service.

Cretors warranties this machine to be free of defects in parts, materials and workmanship for one year. Please complete and return the registration card to activate your warranty. If you have questions concerning the warranty, please contact Customer Service at 800-228-1885.

I INTRODUCTION

This manual contains information regarding your Modular Showcase™ Warmer. There is nothing, however, more important than the safety aids and warnings that are found throughout this document. The Safety Alert Symbol is used to identify topics of primary safety concern wherever they appear. Furthermore, a separate section has been included which deals exclusively with operation and accident prevention.

If, after reviewing this manual, anything is unclear or technical problems are encountered, contact the dealer from whom you purchased your machine for assistance; and, if there are any additional questions, feel free to contact our Customer Service Department at 800-228-1885. Always have the serial number of your machine available to assist in obtaining the correct information.

II SAFETY ALERT SYMBOL

The symbol shown below is used to call your attention to instructions concerning your personal safety and the safety of others. Watch this symbol. It points out important safety precautions. It means "ATTENTION! Become Alert! Your personal safety is involved!" Read the message that follows and be alert to the risk of personal injury or death.



III PURPOSE OF MANUAL



This instruction manual is intended to familiarize owners with the operation and safety procedures associated with your Modular Showcase™ Warmer.



This manual should be kept available to operating and maintenance personnel.



A person who has not read and understood all operating and safety instructions is not qualified to operate the machine.

IV PRODUCT IDENTIFICATION

CRETORS MODULAR SHOWCASE™ WARMER

MODEL	7927A- MODULAR SHOWCASE™ WARMER
Electrical:	120Volt, 60 Cycle 1490 Watts (One Sign)
Dimensions:	124.46cm x 76.2cm x 74.29cm
Net Weight:	197 Lbs. (89.5 Kgs)

MODEL	7927-A-36 - MODULAR SHOWCASE™ WARMER
Electrical:	120Volt, 60 Cycle 1490 Watts (One Sign)
Dimensions:	124.46cm x 91.4cm x 74.29cm
Net Weight:	217 Lbs. (98.5 Kgs.)

MODEL	7928-A - MODULAR SHOWCASE™ WARMER (ONE SIGN)
Electrical:	120Volt, 60 Cycle 1490 Watts (One Sign)
Dimensions:	124.46cm x 76.2cm x 74.29cm
Net Weight:	197 Lbs. (89.5 Kgs)

MODEL	7928-A - 36 MODULAR SHOWCASE™ WARMER
Electrical:	120Volt, 60 Cycle 1490 Watts (One Sign)
Dimensions:	124.46cm x 91.4cm x 74.29cm
Net Weight:	217 Lbs. (98.5 Kgs.)

MODEL	7929A - MODULAR SHOWCASE™ WARMER
Electrical:	120Volt, 60 Cycle 1550 Watts (Two Signs)
Dimensions:	124.46cm x 76.2cm x 74.29cm
Net Weight:	197 Lbs. (89.5 Kgs)

MODEL	7929-A-36 - MODULAR SHOWCASE™ WARMER
Electrical:	120Volt, 60 Cycle 1550 Watts (Two Signs)
Dimensions:	124.46cm x 91.4cm x 74.29cm
Net Weight:	217 Lbs. (98.5 Kgs.)

V THEORY AND OBSERVATIONS OF WARMER OPERATION

The Modular Showcase™ Warmer is designed for any concession application that requires extra warmer storage for freshly popped corn or nacho chips.

VI CONTROL SWITCH

LIGHT SWITCH	-Turns lights and sign(s) ON/OFF
CORNDITIONER SWITCH	-Turns cabinet heat ON/OFF

VII INSTALLATION INSTRUCTIONS

1. Location

Choose a location for your Modular Showcase™ Warmer to maximize the ease of operation and maintenance procedures. Check your local building and fire codes for location restrictions.

2. Power Supply

Check the nameplate to determine the required power supply.



Connect your warmer only to the correct power source.



Make certain the Rocker Switches on the warmer are in the 'OFF' position when plugging into power source.

VIII OPERATING INSTRUCTIONS



1. The lighted sign and cabinet lights are turned ON/OFF by pressing the switch marked "Lights".



2. The cabinet heat is turned ON/OFF by pressing the switch marked "Cornditioner".

Both switches are located on the operator's lower left-hand side.

3. This warmer is designed to warm popcorn or nacho chips. Do not use warmer to heat or hold any other products.



4. Operate your warmer only under sanitary condition (SEE SANITATION INSTRUCTIONS).

For service technician: Make sure the machine is unplugged. To replace the halogen bulb, remove the hardware, bracket and sign. Remove the bulb from the mounting bracket and pull out old bulb from the socket. Install new bulb by pushing bulb pins into socket, and inserting bulb back into the mounting bracket.

For service technician: Make sure the machine is unplugged. To replace the fluorescent bulb, remove the hardware, bracket and sign. Remove the bulb from the sockets by rotating and pull. Install new bulb by pushing bulb pins into socket and rotating.

IX SANITATION INSTRUCTIONS



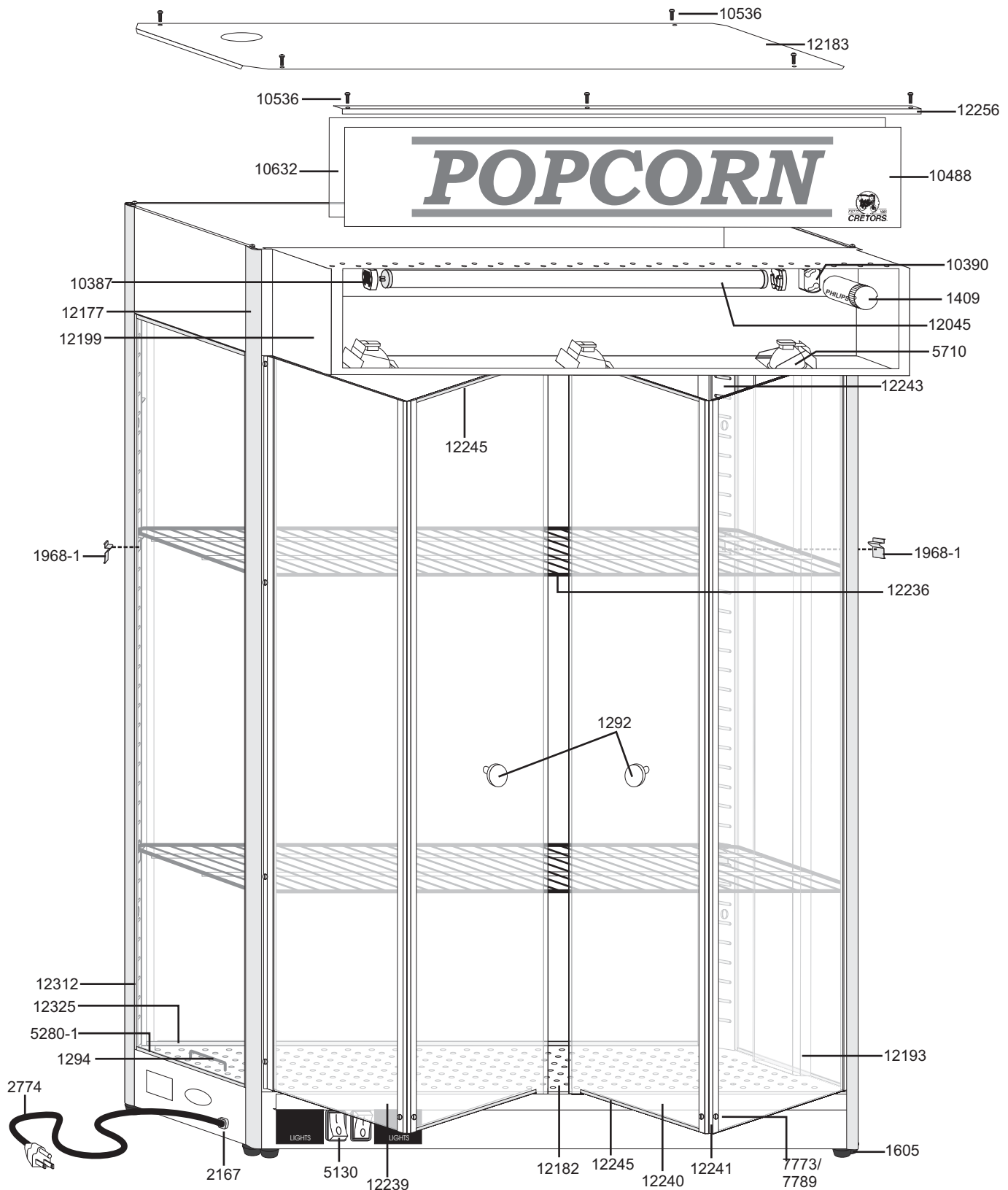
Be certain the machine is turned 'OFF' and power is unplugged before sanitizing this machine. Failure to do so could result in injury.



CAUTION: HOT. Do not clean **appliances** until they have been given sufficient time to cool. Failure to do so may result in serious burns.

The cabinet is **to** be cleaned **with a damp cloth** and any good grade glass or household cleaner suitable for stainless steel surfaces. A cleaning agent that is acceptable for food contact surfaces is recommended. **Do not soak unit with water. Avoid wetting of inside of electrical enclosure.**

This appliance(s) shall not be cleaned with a water jet.



MODULAR SHOWCASE WARMER -120V

DOC: MSW30001

MSW-A-3.0-A

BEGINNING SERIAL 00042115

1292 KNOB - CONCAVE W/ SCREW
1294 HANDLE-LIFT
1409 STARTER - FLUORESCENT-FS-2
1605 RUBBER FOOT W/ HARDWARE
1968-1 CLIP-PILASTER SHELF
2167 CORD GRIP HEYCO
2774 CORD-20AMP, 12-3, NEMA 5-15P
5130 SWITCH-LIGHTED-230V
5280-1 SS CHANNEL-16-1/8"
5710 SOCKET-HALOGEN
7773 8-32 x 5/8 SS TRUSS HEAD
7789 # 8 STAR LOCKWASHER
10387 SOCKET-LAMP-DI/HDL 230/50HZ
10390 SOCKET - DI/HDL - 230/50 HZ - CE MARK
10488 SIGN-POPCORN-RED & YELLOW
10536 #6 x 3/8 PHIL TRUSS
10632 SIGN BACKING
12045 LAMP-FLUORESCENT-F26"T8CW4
12177 EXTRUSION-48"-WARMER CORNER
12182 POPPER CASE BOTTOM-WARMER
12183 CABINET TOP COVER-WARMER
12193 AIRDUCT
12199 LIGHT BOX COUNTER WARMER
12236 RACK- WIRE
12241 HINGE - PVC LIVING-WARMER
12243 PILASTER TRACK
12245 SS CHANNEL-5.25" LONG
12256 TOP SIGN BRACKET - MOD. WARMER
12312 CHANNEL-GLASS "U"
12325 SS CHANNEL 26-1/8"

DOOR OPTIONS

12255 DOOR SET - BIFOLD
12239 PLEXI - BI-FOLD - END
12240 PLEXI - BI-FOLD - CENTER
12366 WINGED DOORS

NOT SHOWN

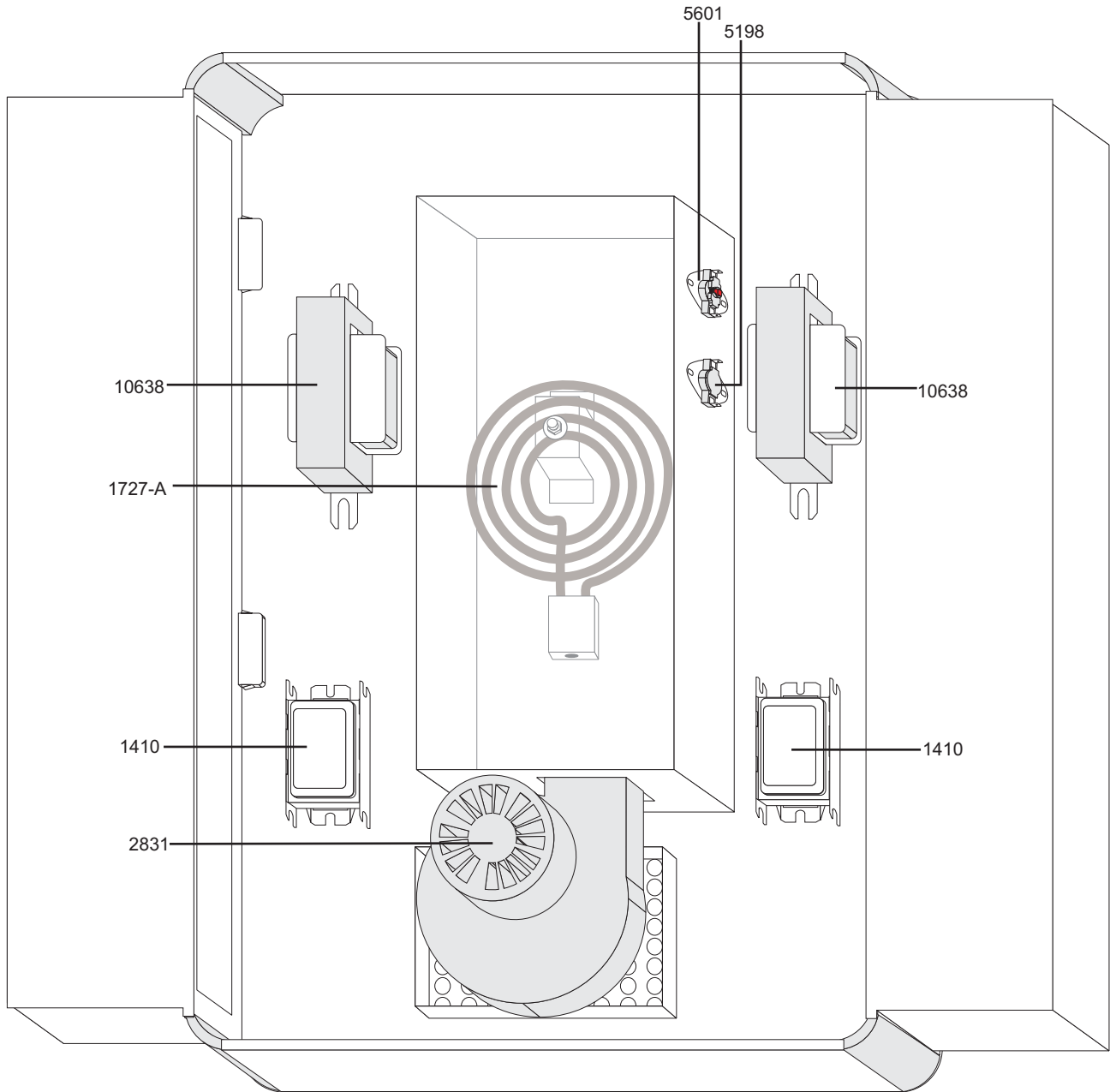
10252 HALOGEN LAMP

MODULAR SHOWCASE WARMER - 120V

TOP INSIDE VIEW SHOWN
WITH OPTIONAL DUAL LIGHTING
BEGINNING SERIAL 00042115

DOC: MSW3002

MSW-A-3.1-A
7/2000



MODULAR SHOWCASE WARMER - 120V

TOP INSIDE VIEW SHOWN
WITH OPTIONAL DUAL LIGHTING
BEGINNING SERIAL 00042115

DOC: MSW3002

MSW-A-3.1-A
7/2000

1410 BALLAST 20 WATT
1727-A ELEMENT 1250 WATT, 120V
2831 BLOWER (4C447)
5198 THERMOSTAT DEG 160 DEG F
5601 HIGH LIMIT
10638 TRANSFORMER 200 W, 120V, 12V, 50/6

